

Future is More Optimistic



Product Catalogue

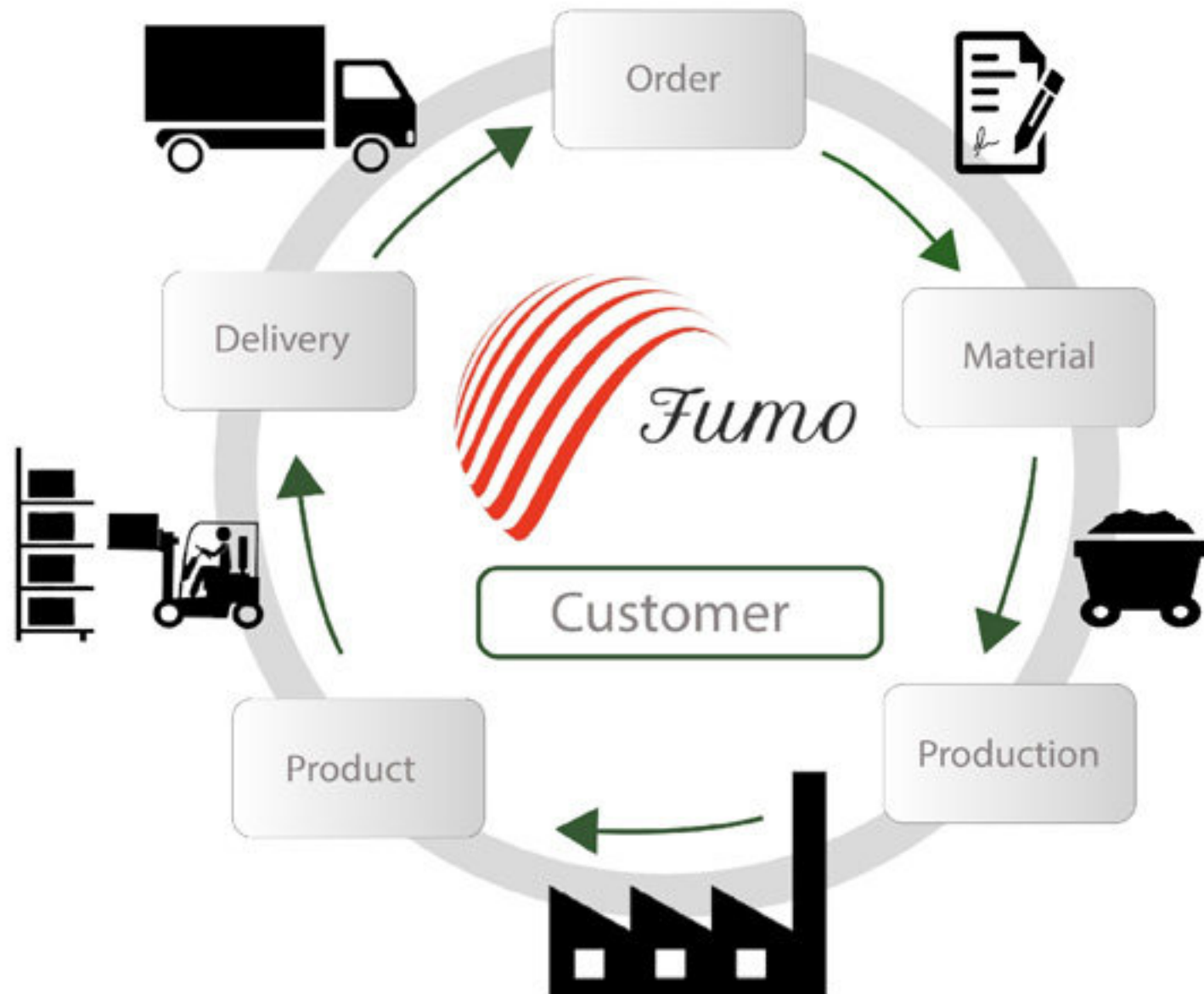


Head Office

Gontardstraße 11
Gontardstraße 10178, 11 Berlin, Germany

info@fumotelecom.de

www.fumotelecom.de



Sehr geehrte Geschäftspartner,

Fumo Telecommunications wurde gegründet, um Netzwerkinfrastruktur-Konnektivitätsprodukte, Kabel, Schränke, Stromversorgungslösungen, Leitungen und andere elektrische Produkte herzustellen.

Obwohl unser Unternehmen noch jung ist, ist es in kurzer Zeit gelungen, mehr als ein Land zu exportieren und wurde zum Lieferanten der größten Projekte.

Mit seiner monatlichen Produktionskapazität entwickelt sich Fumo Telecom gemäß den Anforderungen von Zeit und Technologie, indem es ein Qualitätsmanagementsystem nach internationalen Standards, Force Technologies (Former Delta) und UL, entwickelt.

Unsere Aufgabe

Unser Hauptziel war es, enorme Mengen auf einem Qualitätsniveau zu produzieren, das höchsten Ansprüchen gerecht wird und es uns ermöglicht, unsere Partner sowohl mit Massen- als auch mit dringenden Lieferungen zu versorgen und zu befriedigen.

Unsere Vision

Telekommunikation und Daten werden immer häufiger in Bezug auf Geschwindigkeit und Integrität benötigt, was die Systeminstallateure und -integratoren des Endbenutzers zusätzlich belastet. Wir möchten diese Belastung verringern, indem wir robuste, leicht verfügbare Produkte mit den neuesten technologischen Fortschritten anbieten, um sicherzustellen, dass die Zukunft der Kommunikation besser und heller als je zuvor ist.

Mit unserem Respekt.

Fumo Telecommunications

Dear Business partners;

Fumo Telecommunications was established to produce network infrastructure connectivity products, Cabling, Cabinets, Power solutions, conduits and other electrical products.

Although our company is young, has managed to export more than country in a short time and became the supplier of the biggest projects.

With its production capacity per month Fumo Telecom develops itself in accordance with the requirements of time and technology by developing quality management system in international standards, Force Technologies (Former Delta) and UL.

Our Mission.

Our Major target was to produce huge quantities on a level of quality matching highest demands enabling us to provide and satisfy our partners with both bulk and urgent supplies.

Our Vision.

Telecommunications and data are becoming increasingly relied upon in speed and integrity, which produces added strain on system installers and integrators by the end user. We want to relieve this strain by offering robust, readily-available products of the latest technological advances, to ensure the future of communications is better and brighter than ever.

With our respects.

Fumo Telecommunications,

01

Company
Profile

02

Data
Cables

05

Enterprise
Racks

06

Outdoor
Racks

03

Accessories

04

Fiber
Solutions

07

Power
Solutions



Corporate Strategy

Fumo Telecommunications was established on the foundation of telecommunications innovation, knowledge, and skill.

These very attributes have made the Fumo brand what it is today – market leaders in network infrastructure connectivity.

Engineers, researchers and OEM partners worldwide recognize that Fumo products represent ideal product solutions supporting the network connectivity / datacenter solutions.





Cables & Accessories
Manufacturing



Racks & Power
Manufacturing

Future is More Optimistic



Cables & Accessories
Manufacturing



Fiber Manufacturing



Headquarter





Gontardstraße 11
Gontardstraße 10178,11 Berlin, Germany



info@fumotelecom.de





Compliance Statement

No. 2019-451

Data communication cable, Category 6

Company

Fumo Telecommunication UG, (haftungsbeschränkt)
4th floor, Gontardstrasse 11
10178 Berlin
Germany

Product description

Unscreened cable (U/UTP) characterised up to 250 MHz
Horizontal floor wiring cable, 100 Ω
4 twisted pairs
Flame retardant, PVC jacket

Product identification

Fumo Telecommunication UG, (haftungsbeschränkt)
U/UTP Data Communication cable Category 6
GLCAU6P

Generic cabling and cabling components standards - Category 6 cable requirements

- ⊗ ISO/IEC 11801-1:2017 (Ed. 1.0) / ISO/IEC 11801-2:2017 (Ed. 1.0)
- ⊗ IEC 61156-5:2012 (Ed. 2.1)
- ⊗ EN 50173-1:2018 / EN 50173-2:2018
- ⊗ EN 50288-6-1:2013
- ⊗ TIA-568.2-D:2018

Standards for flame retardancy

- ⊗ IEC 60332-1-1:2015 (Ed. 1.1)
- ⊗ IEC 60332-1-2:2015 (Ed. 1.1)

Technical report

T930386, DANAK-19/20300

EC Cabling product ID

6719

CS valid until

1 August 2020

This product has been tested by FORCE Technology and complies with the requirements of the above specified standards and "Terms and conditions for the EC VERIFIED programme for Generic and Coaxial Cabling", DQP231006. The product takes part in a maintenance schedule, which implies that FORCE Technology performs a quality audit of the manufacturer's production and QA sites. The maintenance testing of the product is performed on a sample basis.

Hørsholm, 9 July 2019

Lars Lindskov Pedersen
Lars Lindskov Pedersen
Test Manager

Dennis Andersen

Dennis Andersen
Head of Department



FORCE Technology
Verighedsvej 4
2970 Hørsholm
Denmark
Tel. +45 43 25 14 00
certification.madebydelta.com



Attestation of Conformity

No. 2018-557

Cables for use in construction works Reaction to fire class E_{ca}

Company

Fumo Telecommunication UG, (haftungsbeschränkt)
4th floor, Gontardstrasse 11
10178 Berlin
Germany

Product description

Unscreened communication cable (U/UTP) with solid conductors
4 twisted pairs, PVC jacket

Product identification

Fumo Telecommunication UG, (haftungsbeschränkt)
U/UTP Data Communication cable Category 6
GLCAU6P

Reaction to fire standards

- EN 50575:2014 including amendment A1:2016
- EN 60332-1-2:2004 including amendments A1:2015 and A11:2016
- EN 13501-6:2014

Reaction to fire classification

Class E_{ca}

Technical report

T830459, DANAK-19/19313

EC Cabling product ID

6720

This product has undergone a one-time test performed by FORCE Technology and complies with the requirements for the stated reaction to fire class. The classification has been carried out in accordance with EN 13501-6 for use in relation to the Construction Products Regulation (CPR) under AVCP system 3.

Hørsholm, 24 July 2018

Lars Lindskov Pedersen
Lars Lindskov Pedersen
Test Manager

Dennis Andersen
Dennis Andersen
Head of Department

FORCE Technology
Verighedsvej 4
2970 Hørsholm
Denmark
Tel. +45 43 25 14 00
certification.madebydelta.com





Compliance Statement

No. 2019-313B

Data communication cable, Category 6

Company

Fumo Telecommunication UG (haftungsbeschränkt)
4th floor, Gothardstrasse 11
10178 Berlin
Germany

Product description

Screened cable (F/UTP) characterised up to 250 MHz
Horizontal floor wiring cable, 100 Ω
4 twisted pairs with overall foil screen
Flame retardant, PVC jacket

Product identification

- F/UTP Data Communication cable Category 6
- GLCAF6P

Generic cabling and cabling components standards - Category 6 cable requirements

- ⊗ ISO/IEC 11801-1:2017 (Ed. 1.0) / ISO/IEC 11801-2:2017 (Ed. 1.0)
- ⊗ IEC 61156-5:2012 (Ed. 2.1)
- ⊗ EN 50173-1:2018 / EN 50173-2:2018
- ⊗ EN 50288-5-1:2013
- ⊗ TIA-568.2-D:2018

Standards for flame retardancy

- ⊗ IEC 60332-1-1:2015 (Ed. 1.1)
- ⊗ IEC 60332-1-2:2015 (Ed. 1.1)

Technical report
T926793, DANAK-19/20157

EC Cabling product ID
6894

CS valid until
1 May 2020

This product has been tested by FORCE Technology and complies with the requirements of the above specified standards and "Terms and conditions for the EC VERIFIED programme for Generic and Coaxial Cabling", DQP231006. The product takes part in a maintenance schedule, which implies that FORCE Technology performs a quality audit of the manufacturer's production and QA sites. The maintenance testing of the product is performed on a sample basis.

Hørsholm, 29 April 2019

Lars Lindskov Pedersen
Lars Lindskov Pedersen
Test Manager

Dennis Andersen
Dennis Andersen
Head of Department



FORCE Technology
Verlighedsvej 4
2970 Hørsholm
Denmark
Tel. +45 43 25 14 00
certification.madebydelta.com



Compliance Statement

No. 2019-212

Data communication cable, Category 6A

Company

Fumo Telecommunication UG (haftungsbeschränkt)
4th floor, Gothardstrasse 11
10178 Berlin
Germany

Product description

Unscreened cable (U/UTP) characterised up to 500 MHz
Horizontal floor wiring cable, 100 Ω
4 twisted pairs
Flame retardant, PVC jacket

Product identification

Part no. GLCAU6AP

Generic cabling and cabling components standards - Category 6A cable requirements

- ⊗ ISO/IEC 11801-1:2017 (Ed. 1.0) / ISO/IEC 11801-2:2017 (Ed. 1.0)
- ⊗ IEC 61156-5:2012 (Ed. 2.1)
- ⊗ EN 50173-1:2018 / EN 50173-2:2018
- ⊗ EN 50288-11-1:2012
- ⊗ TIA-568.2-D:2018

Standards for flame retardancy

- ⊗ IEC 60332-1-1:2015 (Ed. 1.1)
- ⊗ IEC 60332-1-2:2015 (Ed. 1.1)

Technical report
T924573, DANAK-19/20048

EC Cabling product ID
6861

CS valid until
15 March 2020

This product has been tested by FORCE Technology and complies with the requirements of the above specified standards and "Terms and conditions for the EC VERIFIED programme for Generic and Coaxial Cabling", DQP231006. The product takes part in a maintenance schedule, which implies that FORCE Technology performs a quality audit of the manufacturer's production and QA sites. The maintenance testing of the product is performed on a sample basis.

Hørsholm, 15 March 2019

Lars Lindskov Pedersen
Lars Lindskov Pedersen
Test Manager

Dennis Andersen
Dennis Andersen
Head of Department



FORCE Technology
Verlighedsvej 4
2970 Hørsholm
Denmark
Tel. +45 43 25 14 00
certification.madebydelta.com





FUMO TELECOMMUNICATIONS
4TH FLOOR GONTARDSTRASSE 11
10178 BERLIN GERMANY

Date: 2019/01/17
Subscriber: 2237099
PartySite:
File No:
Order No: 12668360
Project Number: 190R12668360
PD No: 19003437
FO Number:

DUXR.E505242 - COMMUNICATIONS-, AUDIO/VIDEO-, DATA- AND OTHER SIGNALING-CIRCUIT ACCESSORIES

Subject: Correlation Sheet

Dear Sir

Enclosed is a copy of your completed Multiple Listing Correlation Sheet covering the Basic File listed below. The following documents were added (new) or revised on 01/17/2019.

<u>Vol</u>	<u>File</u>	<u>Pages</u>	<u>Revised</u>	<u>Now</u>
1	E505242	New Correlation Page(s)		

Please review this material and report any inaccuracies to UL's Customer Service Professionals. Contact information for all of UL's global offices can be found at <http://ul.com/aboutul/locations>.

If you'd like to receive updated materials FASTER, UL offers electronic access and/or delivery of this material. For more details, contact UL's Customer Service Professionals as shown above, referring to the above Order number.

This material is provided on behalf of UL LLC (UL) or any authorized licensee of UL.

TPI File

Communications-, Audio/Video-, Data- and Other Signaling-circuit Accessories

See General Information for Communications-, Audio/Video-, Data- and Other Signaling-circuit Accessories

FUMO TELECOMMUNICATIONS

4TH FLOOR GONTARDSTRASSE 11
10178 BERLIN, GERMANY

Blank Patch Panels, Model(s) GL-SPL-series, GE-UPL-series

Keystone Jacks, Model(s) GL-SC80-series, GL-UC90-series, GL-UC90-series

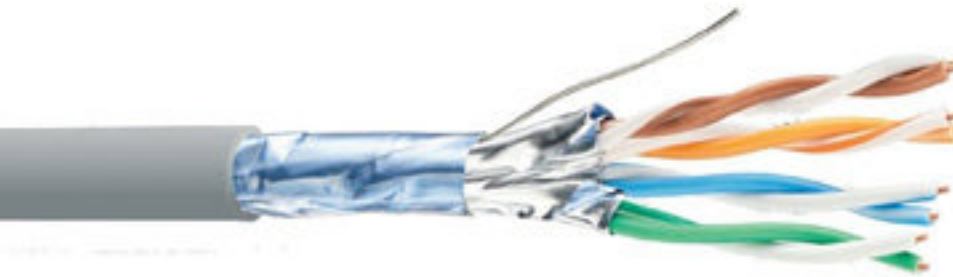
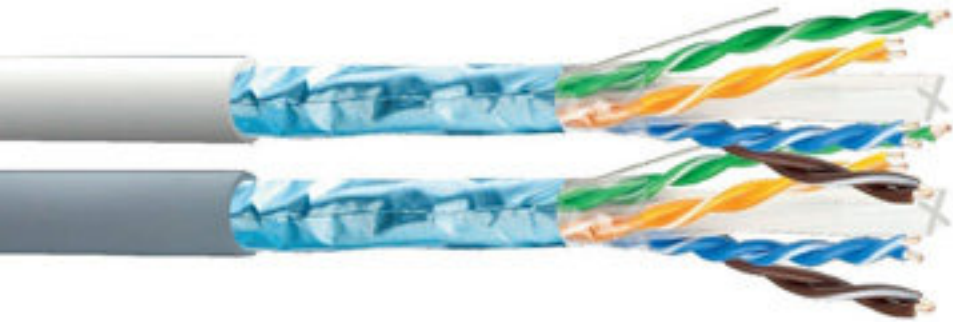
Patch Panels, Model(s) GL-UPM-series

E505242

Last Updated on 2019-01-17

The appearance of a company's name or product in this database does not in itself assure that products so identified have been manufactured under UL's Follow-Up Service. Only those products bearing the UL Mark should be considered to be Certified and covered under UL's Follow-Up Service. Always look for the Mark on the product.

UL permits the reproduction of the material contained in the Online Certification Directory subject to the following conditions: 1. The Guide Information, Assemblies, Constructions, Designs, Systems, and/or Certifications (files) must be presented in their entirety and in a non-misleading manner, without any manipulation of the data (or drawings). 2. The statement "Reprinted from the Online Certifications Directory with permission from UL" must appear adjacent to the extracted material. In addition, the reprinted material must include a copyright notice in the following format: "© 2019 UL LLC"



Data Cables

Golden Link

02

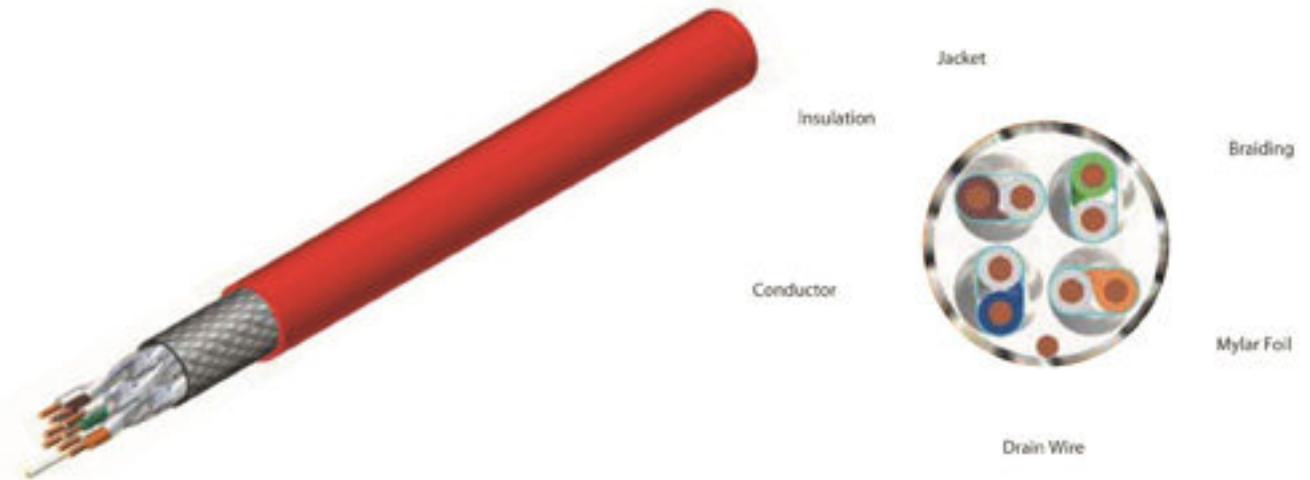
WWW.FUMOTELECOM.DE



Category 7A Cable



Cat.7A



Standard Compliances

- ISO/IEC 11801:2011 (Ed. 2.2)
- IEC 61156-5:2009 (Ed. 2.0)
- EN 50173-1:2011
- EN 50173-2:2007 including amendment A1:2010

Features and Benefits

- Extremely high bandwidth of 1000 MHz
- Individual pair shielding to provide EMI protection
- Highest signal-to-noise ratio to reduce related downtime and network errors
- Provides positive PSACR beyond 1000 MHz
- Every master reel is tested to ensure electrical performance compliance
- Print legend contains footage marking from 305M to 0M or 500M to 0M
- Unique product-specific packaging for ease of identification
- RoHS compliant

Application

- 2.4/1.2 Gb/s ATM
- IEEE 802.3an:10G BASE-T (10 Gigabit Ethernet) supporting 100 meters
- 3D imaging
- Digital Video
- Broadband and Baseband Analog Video

Technical Details

Capacitance unbalance (max.) @ 0.8 or 1 kHz (pF/km)	1600	Resistance unbalance between pairs (max.) (%)	4
DC Resistance (max.) Ω /km @ 20°C	95	Mean input impedance @100 MHz	100 ± 5 Ω
Resistance unbalance within a pair (max.) (%)	2	Dielectric strength	Min 1.0 kVdc or 0.7 kVac for 1 min. Min 2.5 kVdc or 1.7 kVac for 2 secs

Electrical Performance

Meet IEC 61156-5 Ed.2.0 Category 7A horizontal cable parameters

Freq. (MHz)	Ins. Loss (dB/100m)	RL (dB)	Pair to Pair (dB/100m)		Power Sum (dB/100m)		Delay Skew (ns/100m)	Po. Delay (ns/100m)
			NEXT	ELFEXT	NEXT	ELFEXT		
			Max.	Min.	Min.	Min.		
1	2.1	20.0	78.0	75.0	75.0	75.0	25	570
4	3.7	23.0	78.0	75.0	75.0	75.0	25	552.0
10	5.8	25.0	78.0	75.0	75.0	72.3	25	545.4
16	7.3	25.0	78.0	71.2	75.0	68.2	25	543.0
20	8.2	25.0	78.0	69.3	75.0	66.3	25	542.0
31.25	10.3	23.6	78.0	65.4	75.0	62.4	25	540.4
62.5	14.6	21.5	78.0	59.4	75.0	56.4	25	538.6
100	18.5	20.1	75.4	55.3	72.4	52.3	25	537.6
200	26.5	18.0	70.9	49.3	67.9	46.3	25	536.5
250	29.7	17.3	69.4	47.3	66.4	44.3	25	536.3
350	35.4	17.3	67.2	44.4	64.2	41.4	25	535.9
400	38.0	17.3	66.4	43.3	63.4	40.3	25	535.8
500	42.8	17.3	64.9	41.3	61.9	38.3	25	535.6
600	47.1	17.3	63.7	39.7	60.7	36.7	25	535.5
700	51.1	16.6	62.7	38.4	59.7	35.4	25	535.4
800	54.9	16.1	61.9	37.2	58.9	34.2	25	535.3
900	58.5	15.5	61.1	36.2	58.1	33.2	25	535.2
1000	61.9	15.1	60.4	35.3	57.4	32.3	25	535.1

Note: The cable performance between 1MHz and 4MHz is achieved by designed only and it is therefore not necessary to test for this performance below 4MHz.

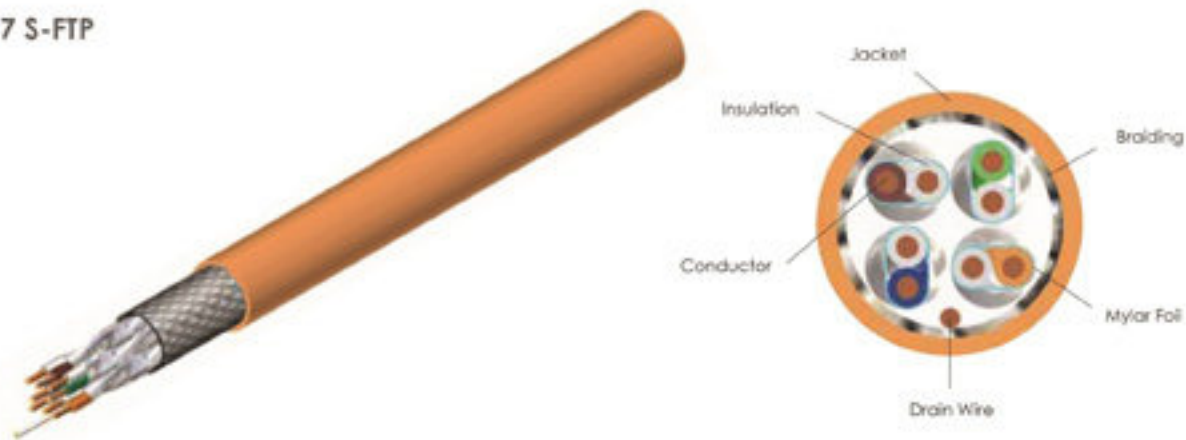
Order Information

Part No.	No. of Pairs	Cable Type	Conductor Size	Core Dimension (mm)	Overall Dimension (mm)	NVP (%)
GLCSF7AP/L	4	S-FTP	23AWG	1.45	8.58	71.5

Jack: t: PVC, LSZH (Low Smoke Zero Halogen), Outdoor PE Packagin g: 305M / 500M Wooden Reel

Category 7 Cable

Cat.7 S-FTP



Standard Compliances

- ISO/IEC 11801:2011 [Ed. 2.2]
- IEC 61156-5:2009 [Ed. 2.0]
- EN 50173-1:2011
- EN 50173-2:2007 including amendment A1:2010

Features and Benefits

- Extremely high bandwidth of 600 MHz
- Individual pair shielding to provide EMI protection
- Highest signal-to-noise ratio to reduce related downtime and network errors
- Provides positive PSACR beyond 600MHz
- Every master reel is tested to ensure electrical performance compliance
- Print legend contains footage marking from 305M to 0M or 500M to 0M
- Unique product-specific packaging for ease of identification
- RoHS compliant

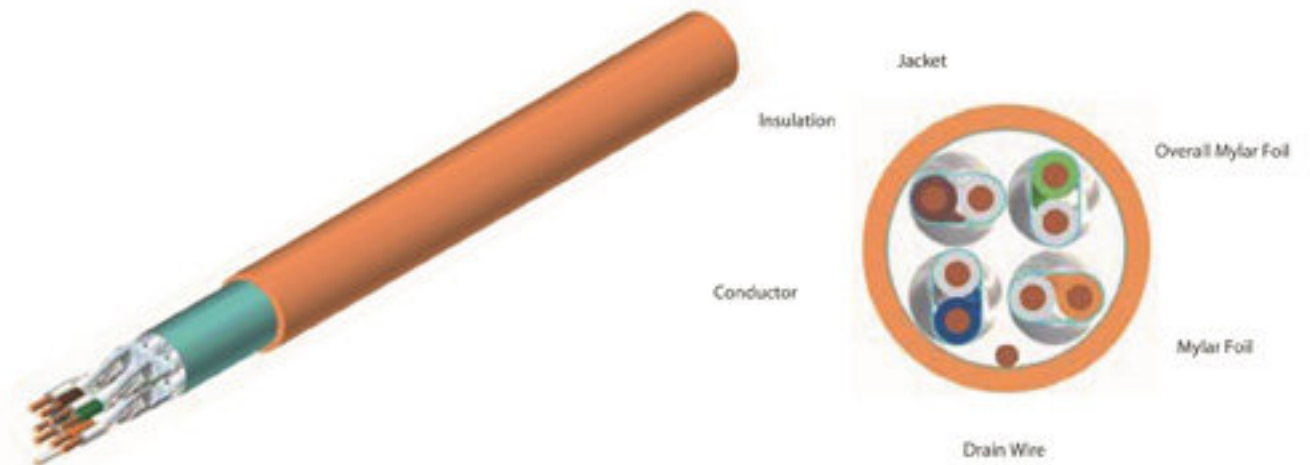
Application

- 2.4/1.2 Gb/s ATM
- IEEE 802.3an:10G BASE-T (10 Gigabit Ethernet) supporting 100 meters
- 3D imaging
- Digital Video
- Broadband and Baseband Analog Video

Technical Details

Capacitance unbalance (max.) @ 0.8 or 1 kHz (pF/km)	1600	Resistance unbalance between pairs (max.) (%)	4
DC Resistance (max.) Ω/km @ 20°C	95	Mean input impedance @100 MHz	100 ± 5 Ω
Resistance unbalance within a pair (max.) (%)	2	Dielectric strength	Min 1.0 kVdc or 0.7 kVac for 1 min. / Min 2.5 kVdc or 1.7 kVac for 2 secs

Cat.7 F-FTP



Electrical Performance

Meet IEC 61156-5 Ed.2.0 Category 7 horizontal cable parameters

Freq. (MHz)	Ins. Loss (dB/100m)	RL (dB)	Pair to Pair		Power Sum		Delay Skew (ns/100m)	Po. Delay (ns/100m)
			NEXT	ELFEXT	NEXT	ELFEXT		
			(dB/100m)					
	Max.	Min.	Min.	Min.	Min.	Min.	Max.	Max.
1	2.1	20.0	78.0	78.0	75.0	75.0	25	570.0
4	3.7	23.0	78.0	78.0	75.0	75.0	25	552.0
10	5.9	25.0	78.0	75.3	75.0	72.3	25	545.4
16	7.4	25.0	78.0	71.2	75.0	68.2	25	543.0
20	8.3	25.0	78.0	69.3	75.0	66.3	25	542.0
31.25	10.4	23.6	78.0	65.4	75.0	62.4	25	540.4
62.5	14.9	21.5	75.5	59.4	72.5	56.4	25	538.6
100	19.0	20.1	72.4	55.3	69.4	52.3	25	537.6
200	27.5	18.0	67.9	49.3	64.9	46.3	25	536.5
250	31.0	17.3	66.4	47.3	63.4	44.3	25	535.3
400	40.0	17.3	63.4	43.3	60.4	40.3	25	535.8
500	45.3	17.3	61.9	41.3	58.9	38.3	25	535.6
600	50.1	17.3	60.7	39.7	57.7	36.7	25	535.5

Note: The cable performance between 1MHz and 4MHz is achieved by designed only and it is therefore not necessary to test for this performance below 4MHz.

Order Information

Part No.	No. of Pairs	Cable Type	Conductor Size	Core Dimension (mm)	Overall Dimension (mm)	NVP (%)
GLCAFF7P/L	4	F-FTP	23AWG	1.32	7.95	76.5
GLCAS7P/L	4	S-FTP	23AWG	1.34	8.05	76.5

Jacket: PVC, LSZH (Low Smoke Zero Halogen), Outdoor PE Packaging: 305M / 500M Wooden Reel

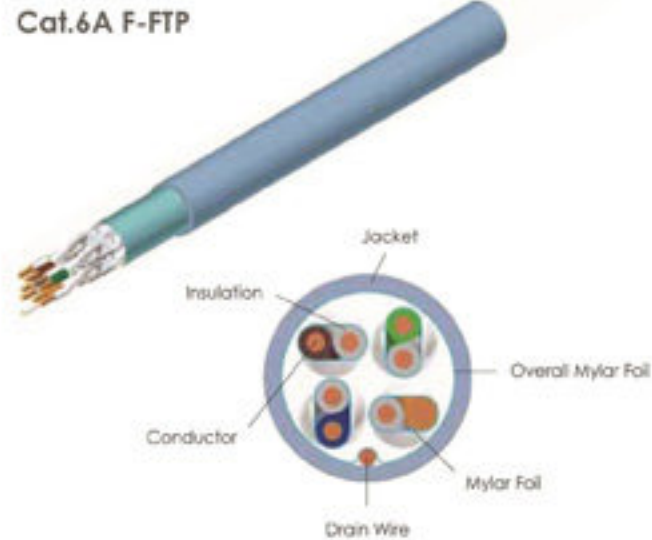
Category 6A Cable

Cat.6A U-UTP

PATENT



Cat.6A F-FTP



Standard Compliances

- ISO/IEC 11801:2011 (Ed. 2.2)
- IEC 61156-5:2009(Ed.2.0)
- EN 50173-1: 2011
- EN 50173-2:2007 including amendment A1:2010
- ANSI/TIA-568-C.2: 2009

Features and Benefits

- Ideal solution for 10 Gigabit Ethernet
- Individual pair shielding or special designed filler to provide EMI protection
- Designed with shielding to offer maximum pair separation, increasing key electrical performance parameters
- Provides positive PSACR beyond 500MHz for higher available bandwidth
- Every master reel is tested to ensure electrical performance compliance
- Print legend contains footage marking from 305M to 0M or 500M to 0M
- Unique product-specific packaging for ease of identification
- RoHS compliant
- Delta EC Verified

Application

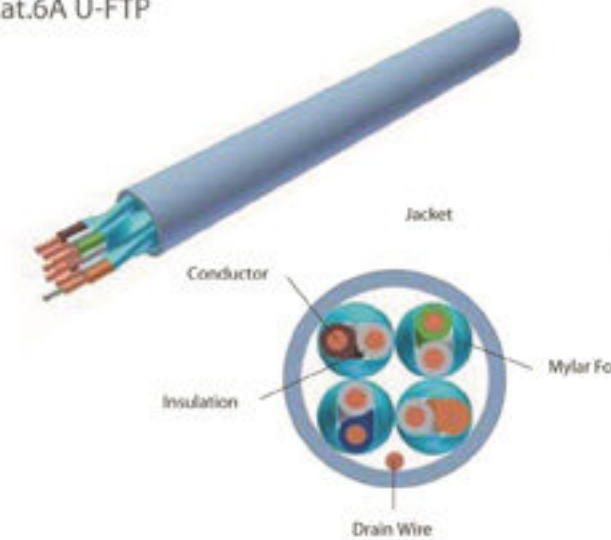
- 2.4/1.2 Gb/s ATM
- IEEE 802.3an:10G BASE-T (10 Gigabit Ethernet) supporting 100 meters
- 3D imaging
- Digital Video
- Broadband and Baseband Analog Video

Technical Details

Capacitance unbalance (max.) @ 0.8 or 1 kHz (pF/km)	1600	Resistance unbalance between pairs (max.) (%)	4
DC Resistance (max.) Ω /km @ 20°C	95	Mean input impedance @100 MHz	100 ± 5 Ω
Resistance unbalance within a pair (max.) (%)	2	Dielectric strength	Min 1.0 kVdc or 0.7 kVac for 1 min. Min 2.5 kVdc or 1.7 kVac for 2 secs

cat6a

Cat.6A U-FTP



Cat.6A S-FTP



Electrical Performance

MEET IEC 61156-5 Ed.2.0 Category 6A horizontal cable parameters								
Freq. (MHz)	Ins. Loss (dB/100m)	RL (dB)	Pair to Pair		Power Sum		Delay Skew (ns/100m)	Po. Delay (ns/100m)
			NEXT	ELFEXT	NEXT	ELFEXT		
			(dB/100m)					
	Max.	Min.	Min.	Min.	Min.	Min.	Max.	Max.
1	2.1	20.0	75.3	68.0	72.3	65.0	45	570.0
4	3.8	23.0	66.3	56.0	63.3	53.0	45	552.0
10	5.9	25.0	60.3	48.0	57.3	45.0	45	545.4
16	7.5	25.0	57.2	43.5	54.2	40.9	45	543.0
20	8.4	25.0	55.8	42.0	52.8	39.0	45	542.0
31.25	10.5	23.6	52.9	38.1	49.9	35.1	45	540.4
62.5	15	21.5	48.4	32.1	45.4	29.1	45	538.6
100	19.1	20.1	45.3	28.0	42.3	25.0	45	537.6
200	27.6	18.0	40.8	22.0	37.8	19.0	45	536.5
250	31.1	17.3	39.3	20.0	36.3	17.0	45	536.3
300	34.3	17.3	38.1	18.5	35.1	15.5	45	536.1
400	40.1	17.3	36.3	16.0	33.3	13.0	45	535.8
500	45.3	17.3	34.8	14.0	31.8	11.0	45	535.6

Note: The cable performance between 1MHz and 4MHz is achieved by designed only and it is therefore not necessary to test for this performance below 4MHz.

Order Information

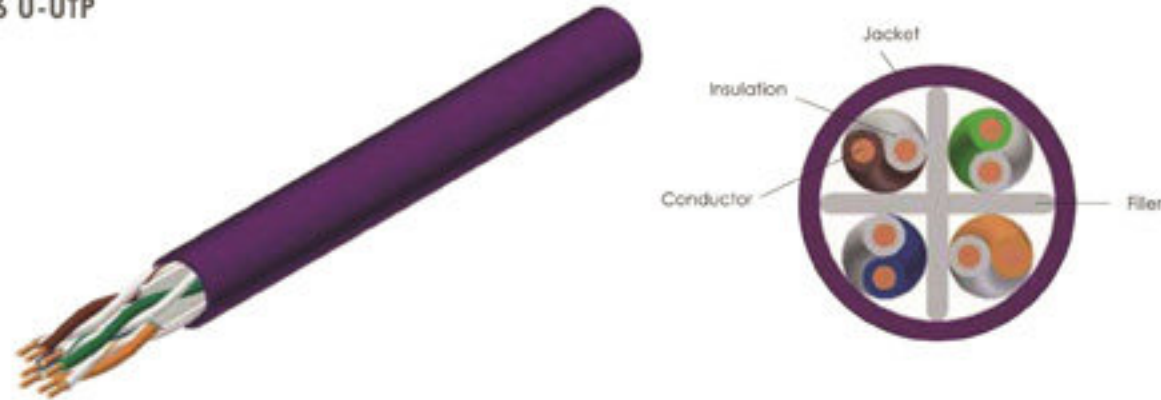
Part No.	No. of Pairs	Cable Type	Conductor Size	Core Dimension (mm)	Overall Dimension (mm)	NVP (%)
GLCAUSAP/L	4	U-UTP	23AWG	1.03	8.3	66.7
GLCAFF6AP/L	4	F-FTP	23AWG	1.32	7.59	76.5
GLCAUF6AP/L	4	U-FTP	23AWG	1.32	7.47	76.5
GLCAFU6AP/L	4	F-UTP	23AWG	1.1	7.73	66.7
GLCAS6AP/L	4	S-FTP	23AWG	1.34	8.05	76.5
GLCAUF6AP/L*	4	U-FTP	26AWG	0.93	5.59	72.9

Jacket: PVC, LSZH (Low Smoke Zero Halogen), Outdoor PE Packaging: 305M / 500M Wooden Reel

* Zone Cable / Application length: 60M (Max)

Category 6 Cable

Cat.6 U-UTP



Standard Compliances

- ISO/IEC 11801:2011 (Ed. 2.2)
- IEC 61156-5:2009(Ed.2.0)
- EN 50173-1:2011
- EN 50173-2:2007 including amendment A1:2010
- ANSI / TIA-568-C.2:2009

Features and Benefits

- Tape design engineered for smaller overall diameter and ease of installation
- Characterized and tested to 250MHz
- Positive P5ACR up to 300MHz for future bandwidth requirements
- Unique product-specific packaging for ease of identification
- Every master reel is tested to ensure electrical performance compliance
- Print legend contains footage marking from 305M to 0M or 500M to 0M
- RoHS compliant
- Reaction to fire class classification, Class Eco
- Delta EC Verified

Applications

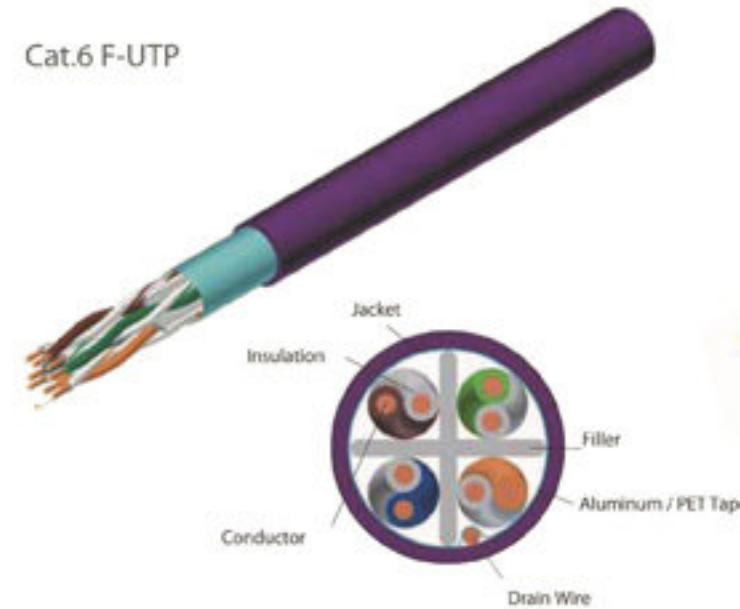
- IEEE 802.3: 1000BASE-T (Gigabit Ethernet), 100BASE-TX, 10BASE-T
- ANSI/TIA / EIA-854: 1000BASE-TX
- 1.55 Mb/s, 1.2 Gb/s ATM
- ANSI X3.263: 100 Mb/s
- IEEE 802.3af DTE Power (POE)
- 4/16 Mb/s Token Ring
- Digital Video
- Broadband and Baseband Analog Video

Technical Details

Capacitance unbalance (max.) @ 0.8 or 1 kHz (pF/km)	1600	Delay Skew (max.) ns/100m @ 20° C	45
DC Resistance (max.) Ω/km @ 20° C	95	Mean Input Impedance @ 100 MHz	100 ± 5 Ω
Resistance unbalance within a pair (max.) (%)	2	Dielectric strength	Min 1.0 kVdc or 0.7 kVac for 1 min.
Resistance unbalance between pairs (max.) (%)	4		Min 2.5 kVdc or 1.7 kVac for 2 secs

cat6

Cat.6 F-UTP



Cat.6 SF-UTP



Electrical Performance

MEET IEC 61156-5 ed.2.0 Category 6 horizontal cable parameters							
Freq. (MHz)	Ins. Loss (dB/100m)	RL (dB)	Pair to Pair		Power Sum		Po. Delay (ns/100m)
			NEXT	ELFEXT	NEXT	ELFEXT	
			(dB/100m)				
	Max.	Min.	Min.	Min.	Min.		
1	2.1	20	75.3	68.0	72.3	65	570
4	3.8	23	66.3	56.0	63.3	53.0	552.0
10	6.0	25	60.3	48.0	57.3	45.0	545.4
16	7.6	25	57.2	43.9	54.2	40.9	543.0
20	8.5	25	55.8	42.0	52.8	39.0	542.0
31.25	10.7	23.6	52.9	38.1	49.9	35.1	540.4
62.5	15.5	21.5	48.4	32.1	45.4	29.1	538.6
100	19.9	20.1	45.3	28.0	42.3	25.0	537.6
200	29.1	18	40.8	22.0	37.8	19.0	536.5
250	33.0	17.3	39.3	20.0	36.3	17.0	536.3

Note: The cable performance between 1MHz and 4MHz is achieved by designed only and it is therefore not necessary to test for this performance below 4MHz.

Order Information

Part No.	No. of Pairs	Cable Type	Conductor Size	Core Dimension (mm)	Overall Dimension (mm)	NVP (%)
GLCAU6P/L	4	U-UTP	23AWG	0.97	6.10	66
GLCAFU6P/L	4	F-UTP	23AWG	1.08	6.86	66
GLCASFU6P/L	4	SF-UTP	23AWG	1.16	7.29	66

Jacket: PVC, LSZH (Low Smoke Zero Halogen), Outdoor PE
 Packaging: 66504: 305M Reel/Box / Reel in Box
 Others: 305M / 500M Wooden Reel

Category 5e Cable

Cat.5e U-UTP



Standard Compliances

- ISO / IEC 11801:2011 (Ed.2.2)
- IEC 61156-5:2009 (Ed.2.0)
- EN 50173-1:2011
- EN 50173-2:2007 including amendment A1:2010
- ANSI / TIA-568-C.2:2009

Features and Benefits

- Positive PSACR beyond 155MHz for future bandwidth requirements
- Characterized and tested to 100 MHz
- Unique product-specific packaging for ease of identification
- Every master reel is tested to ensure electrical performance compliance
- Print legend contains footage marking from 305M to 0M or 500M to 0M
- RoHS compliant

Applications

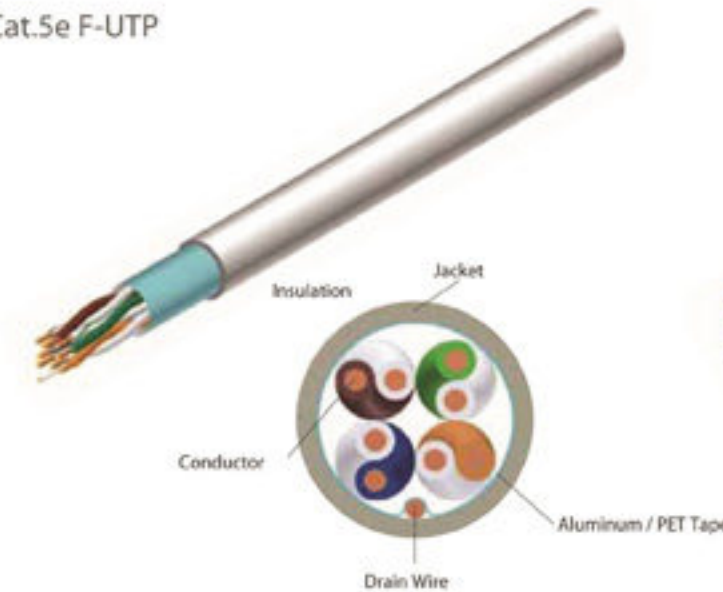
- IEEE 802.3:1000BASE-T (Gigabit Ethernet), 100BASE-TX, 10BASE-T
- 52 / 155 Mp/s ATM
- ANSI X3.263: 100 Mb/s
- 4 / 16 Mb/s Token Ring

Technical Details

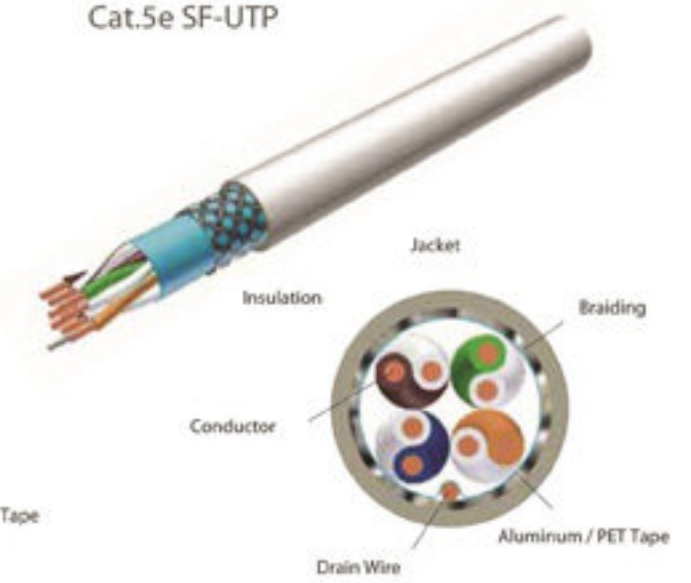
Capacitance unbalance (max.) @ 0.8 or 1 kHz (pF/km)	1600	Delay Skew (max.) ns/100m @ 20° C	45
DC Resistance (max.) Ω/km @ 20° C	95	Mean input impedance @ 100 MHz	100 ± 5 Ω
Resistance unbalance within a pair (max.) (%)	2	Dielectric strength	Min 1.0 kVdc or 0.7 kVac for 1 min.
Resistance unbalance between pairs (max.) (%)	4		Min 2.5 kVdc or 1.7 kVac for 2 secs

cat5e

Cat.5e F-UTP



Cat.5e SF-UTP



Electrical Performance

MEET IEC 61156-5 ed2.0 Category 5e horizontal cable parameters							
Freq. (MHz)	Ins. Loss (dB/100m)	RL (dB)	Pair to Pair		Power Sum		Po. Delay (ns/100m)
			NEXT	ELFEXT	NEXT	ELFEXT	
			(dB/100m)				
	Max.	Min.	Min.	Min.	Min.	Min.	Max.
1	2.1	20.0	65.3	64.0	62.3	61	570
4	4.1	23.0	56.3	52	53.3	49.0	552.0
10	6.5	25.0	50.3	44.0	47.3	41.0	545.4
16	8.3	25.0	47.2	39.9	44.2	36.9	543.0
20	9.3	25.0	45.8	38.0	42.8	35.0	542.0
31.25	11.7	23.6	42.9	34.1	39.9	31.1	540.4
62.5	17.0	21.5	38.4	28.1	35.4	25.1	538.6
100	22.0	20.1	35.3	24.0	32.3	21.0	537.6

Note: The cable performance between 1MHz and 4MHz is achieved by design only and it is therefore not necessary to test for this performance below 4MHz

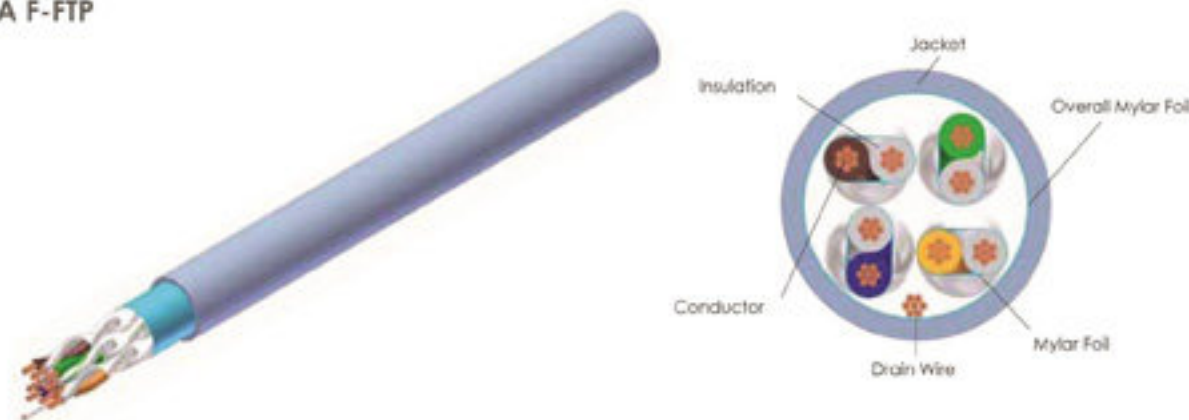
Order Information

Part No.	No. of Pairs	Cable Type	Conductor Size	Core Dimension (mm)	Overall Dimension (mm)	NVP (%)
GLCAUSEP/L	4	U-UTP	24AWG	0.90	4.98	66
GLCAFUSEP/L	4	F-UTP	24AWG	1.03	5.99	66
GLCASFUSEP/L	4	SF-UTP	24AWG	1.03	6.42	66

Jack: t: PVC, LSZH (Low Smoke Zero Halogen), Outdoor PE
Packaging: g: 305M Reel Box / Reel in Box

Category 6A Stranded Cable

Cat.6A F-FTP



Standard Compliances

- IEC 61156-6
- ANSI/TIA 568-C.2
- ISO/IEC 11801 Ed2.0
- CENELEC EN 50173

Features and Benefits

- Extremely high bandwidth of 500MHz
- Flexible and easy for termination
- 24 AWG stranded bare copper conductor for UTP, 26 AWG stranded bare copper conductor for FTP/ SFTP
- Multiple Selection of Colors
- Individual pair shielding to provide EMI protection
- Highest signal-to-noise ration to reduce related downtime and network errors
- Provides positive PSACR beyond 500MHz
- Every master reel is tested to ensure electrical performance compliance

Applications

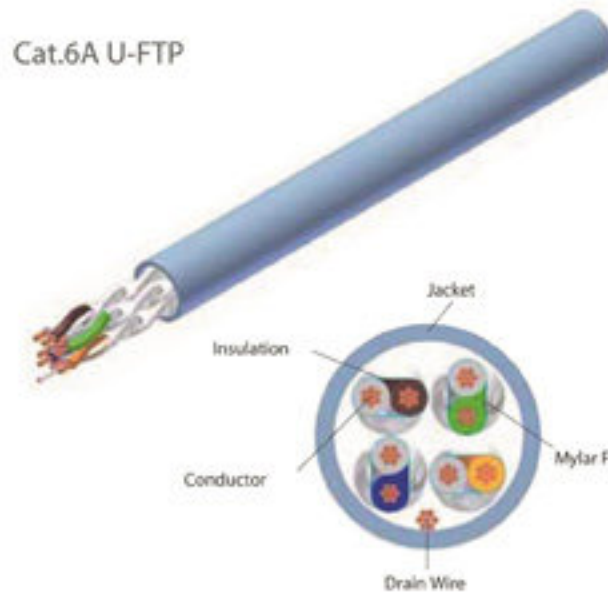
- 2.4 / 1.2 Gb/s ATM
- IEEE 80.3an:10G BASE-T(10 Gigabit Ethernet) supporting 100 meters
- 3D imaging
- Digital Video
- Broadband and Baseband Analog Video

Technical Details

Capacitance unbalance (max.) @ 0.8 or 1 kHz (pF/km)	1600	Delay Skew (max.) ns/100m @ 20°C	45
DC Resistance (max.) Ω/km @ 20°C	145	Mean input impedance @100 MHz	100 ± 5 Ω
Resistance unbalance within a pair (max.) (%)	2	Dielectric strength	Min 1.0 kVdc or 0.7 kVac for 1 min. Min 2.5 kVdc or 1.7 kVac for 2 secs
Resistance unbalance between pairs (max.) (%)	4		

cat6a

Cat.6A U-FTP



Cat.6A S-FTP



Electrical Performance

Freq. (MHz)	Ins. Loss (dB/100m)	RL (dB)	MEET IEC 61156-6 Category 6A horizontal cable parameters				
			Pair to Pair		Power Sum		Po. Delay (ns/100m)
			NEXT	ELFEXT	NEXT	ELFEXT	
			(dB/100m)		(dB/100m)		
			Min.	Min.	Min.	Min.	
1	3.1	20	75.3	68.0	72.3	65.0	570.0
4	5.8	23	66.3	56.0	63.3	53.0	552.0
10	9.0	25	60.3	48.0	57.3	45.0	545.4
16	11.4	25	57.2	43.9	54.2	40.9	543.0
20	12.8	25	55.8	42.0	52.8	39.0	542.0
31.25	16.1	23.3	52.9	38.1	49.9	35.1	540.4
62.5	23.3	20.7	48.4	32.1	45.4	29.1	538.6
100	29.9	20.0	45.3	28.0	42.3	25.0	537.6
200	43.8	16.4	40.8	22.0	37.8	19.0	536.5
250	49.7	15.6	39.3	20.0	36.3	17.0	536.3
300	55.1	15.6	38.1	18.5	35.1	15.5	536.1
400	65.0	15.6	36.3	16.0	33.3	13.0	535.8
500	74.1	15.6	34.8	14.0	31.8	11.0	535.6

Note: The cable performance between 1MHz and 4MHz is achieved by designed only and it is therefore not necessary to test for this performance below 4MHz.

Order Information

Part No.	No. of Pairs	Cable Type	Conductor Size	Core Dimension (mm)	Overall Dimension (mm)
GLCAFF6ASP/L	4	F-FTP	26AWG	1.01	5.99
GLCAUF6ASP/L	4	U-FTP	26AWG	1.01	5.92
GLCASF6ASP/L	4	S-FTP	26AWG	1.05	6.32

Jacket: PVC, LSZH (Low Smoke Zero Halogen), Outdoor PE

Packaging: 500M Coiled in Box
305M / 500M Wooden Reel

Category 6 Stranded Cable

Cat.6 U-UTP



Standard Compliances

- ISO / IEC 11801 Edition 2.0
- IEC 61156-6
- CENELEC EN 50173
- ANSI / TIA 568-C.2

Features and Benefits

- Characterized and tested to 250 MHz
- Flexible and easy for termination
- 24 AWG stranded bare copper conductor for UTP, 26 AWG stranded bare copper conductor for FTP/ SFTP
- Multiple Selection of Colors
- Every master reel is tested to ensure electrical performance compliance
- Print legend contains footage marking from 500M to 0M
- RoHS compliant

Applications

- Support Cat.6 application
 - IEEE 802.3: 1000BASE-T (Gigabit Ethernet) , 100BASE-TX, 10BASE-T
 - ANSI / TIA / EIA-854: 1000BASE-TX
 - 155 Mb/s, 1.2 Gb/s ATM
 - ANSI X3.263: 100 Mb/s
- IEEE 802.3af DTE Power (POE)
 - 4 / 16 Mb/s Token Ring
 - Digital Video
 - Broadband and Baseband Analog Video

Technical Details

Capacitance unbalance (max.) @ 0.8 or 1 kHz (pF/km)	1600	Delay Skew (max.) ns/100m @ 20°C	45
DC Resistance (max.) Ω/km @ 20°C	145	Mean input impedance @ 100 MHz	100 ± 5 Ω
Resistance unbalance within a pair (max.) (%)	2	Dielectric strength	Min 1.0 kVdc or 0.7 kVac for 1 min.
Resistance unbalance between pairs (max.) (%)	4		Min 2.5 kVdc or 1.7 kVac for 2 secs

cat6

Cat.6 F-UTP



Cat.6 SF-UTP



Electrical Performance

IEC 61156-6 Category 6 Stranded cable parameters							
Freq. (MHz)	Ins. Loss (dB/100m)	RL (dB)	Pair to Pair		Power Sum		Po. Delay (ns/100m)
			NEXT	ELFEXT	NEXT	ELFEXT	
			(dB/100m)		(dB/100m)		
	Max.	Min.	Min.	Min.	Min.	Min.	Max.
1	3.1	20.0	75.3	68.0	72.3	65.0	570.0
4	5.8	23.0	66.3	56.0	63.3	53.0	552.0
10	9.0	25.0	60.3	48.0	57.3	45.0	545.4
16	11.4	25.0	57.2	43.9	54.2	40.9	543.0
20	12.8	25.0	55.8	42.0	52.8	39.0	542.0
31.25	16.1	23.3	52.9	38.1	49.9	35.1	540.4
62.5	23.3	20.7	48.4	32.1	45.4	29.1	538.6
100	29.9	19.0	45.3	28.0	42.3	25.0	537.6
200	43.8	16.4	40.8	22.0	37.8	19.0	536.5
250	49.7	15.6	39.3	20.0	36.3	17.0	536.3

Note: The cable performance between 1MHz and 4MHz is achieved by designed only and it is therefore not necessary to test for this performance below 4MHz.

Order Information

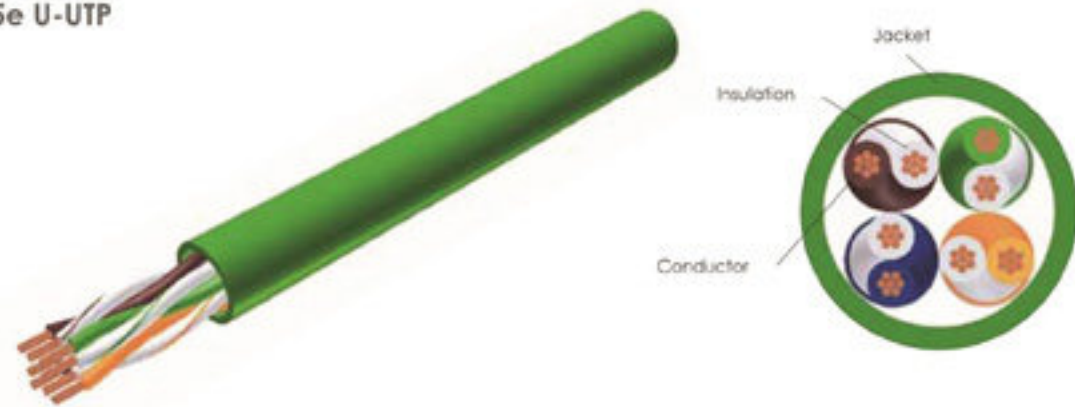
Part No.	No. of Pairs	Cable Type	Conductor Size	Core Dimension (mm)	Overall Dimension (mm)
GLCAU6SP/L	4	U-UTP	24AWG	0.95	5.86
GLCAFU6SP/L	4	F-UTP	26AWG	0.90	5.95
GLCASFU6SP/L	4	SF-UTP	26AWG	0.90	6.14

Jacket: PVC, LSZH (Low Smoke Zero Halogen), Outdoor PE

Packaging: 500M coiled in Box
305M / 500M Wooden Reel

Category 5e Stranded Cable

Cat.5e U-UTP



Standard Compliances

- ISO / IEC 11801 Edition 2.0
- IEC 61156-6
- CENELEC EN 50173
- ANSI / TIA 568-C.2

Features and Benefits

- Characterized and tested to 100 MHz
- Flexible and easy for termination
- 24 AWG stranded bare copper conductor for UTP, 26 AWG stranded bare copper conductor for FTP/ SFTP
- Multiple Selection of Colors
- Every master reel is tested to ensure electrical performance compliance
- Print legend contains footage marking from 500M to 0M
- RoHS compliant

Applications

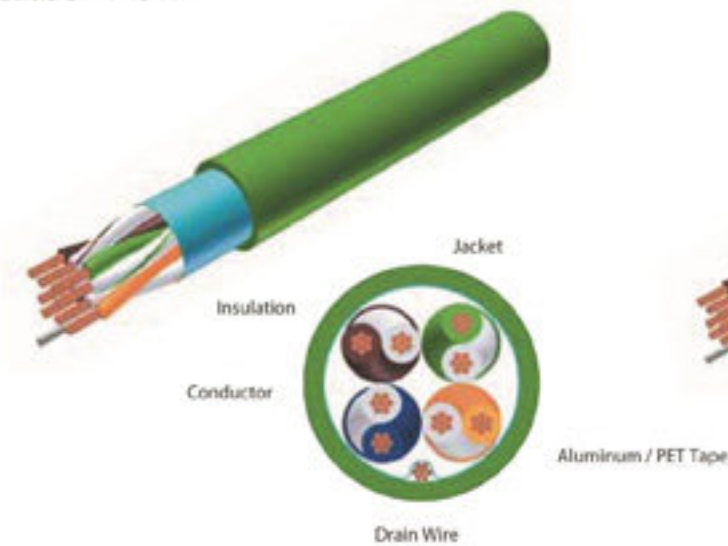
- Support Cat.5e application
 - IEEE 802.3:1000BASE-T (Gigabit Ethernet) , 100BASE-TX, 10BASE-T
 - S2 / 155 Mb/s ATM
 - ANSI X3.263:100 Mb/s
 - 4 / 16 Mb/s Token Ring

Technical Details

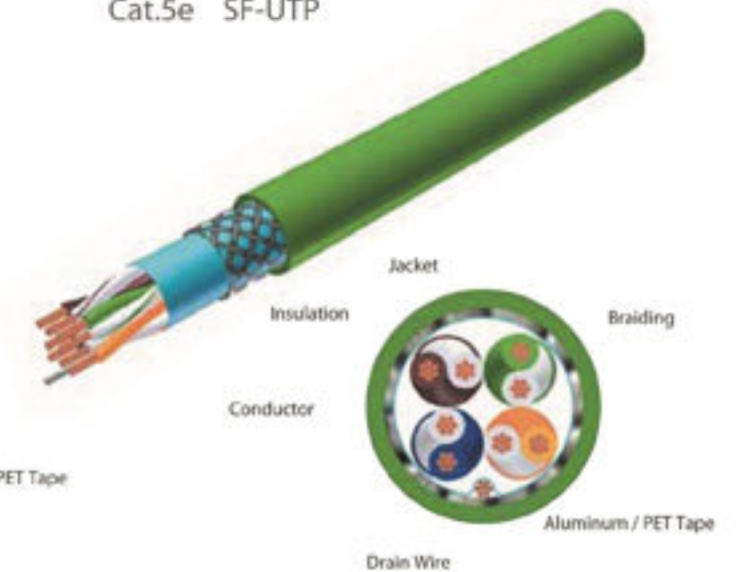
Capacitance unbalance (max.) @ 0.8 or 1 kHz (pF/km)	1600	Delay Skew (max.) ns/100m @ 20° C	45
DC Resistance (max.) Ω/km @ 20° C	145	Mean input impedance @ 100 MHz	100 ± 5 Ω
Resistance unbalance within a pair (max.) (%)	2	Dielectric strength	Min 1.0 kVdc or 0.7 kVac for 1 min.
Resistance unbalance between pairs (max.) (%)	4		Min 2.5 kVdc or 1.7 kVac for 2 secs

cat5e

Cat.5e F-UTP



Cat.5e SF-UTP



Electrical Performance

IEC 61156-6 Category 5e Stranded cable parameters							
Freq. (MHz)	Ins. Loss (dB/100m)	RL (dB)	Pair to Pair		Power Sum		Po. Delay (ns/100m)
			NEXT	ELFEXT	NEXT	ELFEXT	
			(dB/100m)				
	Max.	Min.	Min.	Min.	Min.	Min.	Max.
1	3.2	20.0	65.3	64.0	62.3	61.0	570.0
4	6.0	23.0	56.3	52.0	53.3	49.0	552.0
10	9.5	25.0	50.3	44.0	47.3	41.0	545.4
16	12.1	25.0	47.2	39.9	44.2	36.9	543.0
20	13.5	25.0	45.8	38.0	42.8	35.0	542.0
31.25	17.1	23.3	42.9	34.1	39.9	31.1	540.4
62.5	24.8	20.7	38.4	28.1	35.4	25.1	538.6
100	32.0	19.0	35.3	24.0	32.3	21.0	537.6

Note: The cable performance between 1MHz and 4MHz is achieved by designed only and it is therefore not necessary to test for this performance below 4MHz.

Order Information

Part No.	No. of Pairs	Cable Type	Conductor Size	Core Dimension (mm)	Overall Dimension (mm)
GLCAUSESP/L	4	U-UTP	24AWG	0.93	5.32
GLCAFUSESP/L	4	F-UTP	26AWG	0.89	5.40
GLCASFUSESP/L	4	SF-UTP	26AWG	0.89	5.99

Jacket : PVC, LSZH (Low Smoke Zero Halogen), Outdoor PE

Packaging : 500M coiled in Box
305M / 500M Wooden Reel

Compound Cable



Features

- All-in-one cable design
- Series 6 Quad Shield coaxial cable with typical bandwidth
- Multiple constructions available

Benefits

- Reduces installation time, provides additional protection to the individual cables
- "Future-Proofing" installation Supports extended bandwidth satellite service and high-definition TV signals
- Customized flexibility for application
- Integrated fiber reduces the need to install separate cables for in home optical networks

Applications

- Multi-media Connections for Smart Home
- 10BASE-T through 1000BASE-T Ethernet, ATM, Token Ring
- HDTV, CATV, CCTV, DBS

Physical Description

- **UTP**
 - Cat.5e 4PR UTP Cable Complies to ANSI/TIA 568-C.2 24AWG solid bare copper conductor / PE insulation
 - Cat.6 4PR UTP Cable Complies to ANSI/TIA 568-C.2 23AWG solid bare copper conductor / PE insulation
- **Coax**
 - RG6 Quad shield coaxial cables complies to SCTE ISP-ip-001 28 AWG solid bare copper clad steel conductors
 - Al foil/60 % Al braid shield+ Al foil / 40 %
 - Al braid shield
- **Fiber**
 - Fiber interconnect cable FDDI-grade fiber 50/125um

Part No.	Description	Color	Nominal O.D. mm	Packing
GLCAC05-1C1R	1 Series 6 Quad *1 Cat.5e	Purple	0.365*0.535 in (9.27*13.59)	305M
GLCAC05-2C1R	1 Series 6 Quad *2 Cat.5e	Purple	0.530*0.535 in (13.46*13.59)	152M
GLCAC05-2C2R	2 Series 6 Quad *2 Cat.5e	Purple	0.620*0.535 in (15.75*13.59)	152M
GLCAC05-2C2R1F	2 Series 6 Quad *2 Cat.5e* 1 Duplex MMF	Purple	0.622*0.535 in (15.79*13.64)	152M
GLCAC06-1C1R	1 Series 6 Quad *1 Cat.6	Purple	0.37*0.54 in (9.27*13.59)	305M
GLCAC06-2C1R	1 Series 6 Quad *2 Cat.6	Purple	0.62*0.54 in (15.75*13.59)	152M
GLCA C06-2C2R1F	2 Series 6 Quad *2 Cat.6* 1 Duplex 62.5/125 MMF	Purple	0.622*0.535 in (15.79*13.64)	152M

Outdoor Cable

W/ Messenger



W/O Messenger



Description

- 4 Pair Solid -Bare Copper Cable with messenger cable is used for outdoor installation
- Conductive material: wire made of soft annealed electrolytic copper

- Conductor insulation :HDPE
- The cable jacket: Black PE
- Messenger: galvanized steel wire

Application

- Horizontal communication cable
- Aerial Applications
- Outdoor Applications

Compliances

- ISO/IEC 11801
- ANSI/TIA-568-C.2 Category 5E, 6, 6A
- RoHS Compliance for the Requirement of European Union Issued Directive 2002/95/EC

Order Information

Cat.6A

Part No.	Cable Type	Conductor	Conductor Material	Insulation Material	Insulation Diameter (mm)	Messenger	Outer Jacket Diameter (mm)
GLCA66504A	U-UTP	23 AWG	Bare	HDPE	1.03	1.2 mm Steel Wires	8.30 / 2.6
GLCA66704A	F-UTP	23 AWG	Bare	HDPE	1.10	1.2 mm Steel Wires	7.73 / 2.6
GLCA66304BA	U-FTP	23 AWG	Bare	HDPE	1.32	1.2 mm Steel Wires	7.47 / 2.6
GLCA66304A	F-FTP	23 AWG	Bare	HDPE	1.32	1.2 mm Steel Wires	7.59 / 2.6
GLCA66904A	S-FTP	23 AWG	Bare	HDPE	1.34	1.2 mm Steel Wires	8.05 / 2.6

Cat.6

GLCA 66504	U-UTP	23 AWG	Bare	HDPE	0.97	1.2 mm Steel Wires	6.10 / 2.6
GLCA66704	F-UTP	23 AWG	Bare	HDPE	1.08	1.2 mm Steel Wires	6.86 / 2.6
GLCA66904	SF-UTP	23 AWG	Bare	HDPE	1.16	1.2 mm Steel Wires	7.29 / 2.6

Cat.5E

GLCA66504A	U-UTP	24 AWG	Bare	HDPE	0.86	1.2 mm Steel Wires	4.98 / 2.6
GLCA66704A	F-UTP	24 AWG	Bare	HDPE	1.03	1.2 mm Steel Wires	5.99 / 2.6
GLCA66904A	SF-UTP	24 AWG	Bare	HDPE	1.03	1.2 mm Steel Wires	6.42 / 2.6

*Messenger size can meet different requirements upon customer's demand.

CAT3

Multi-pair Cable



Standard Compliances	Features and Benefits	Applications
<ul style="list-style-type: none"> ANSI / TIA 568-C.2 	<ul style="list-style-type: none"> ANSI / TIA 568-C.2 Category 3 Backbone Cable 	<ul style="list-style-type: none"> Ethernet 10BASE-T Voice

Technical Details		
Capacitance unbalance (max.) @ 0.8 or 1 kHz (pF/km)		3300
DC Resistance (max.) Ω /km @ 20 °C		89
Resistance unbalance within a pair (max.) (%)		5
Mean input impedance (min.) @ 16 MHz		100 \pm 15 Ω
Dielectric strength	500V AC / 1min	



Planetary Twister
It's a new trend to use multi-pair cable for most data centers. To manufacture diversified products and meet growing customers' demands, we invested the Planetary Twister which is one remarkable machine that can produce up to 50-pair cable at a time.

Electrical Performance

ANSI / TIA 568C.2 Category 3 horizontal cable parameters			
Freq. (MHz)	Ins. Loss (dB/100m)	Structural Return Loss (dB)	NEXT (dB/100m)
	Min.	Min.	Min.
1	2.6	12.0	41.3
4	5.6	12.0	32.3
8	8.5	12.0	27.8
10	9.7	12.0	26.3
16	13.1	9.95	23.2

Order Information

Part No.	No. of Pairs	Cable Type	Conductor Size	Core Dimension (mm)	Overall Dimension (mm)
GLCAU3P/L	25	U-UTP	24AWG	0.9	13.00
GLCAU3P/L	50	U-UTP	24AWG	0.9	19.64
GLCAU3P/L	100	U-UTP	24AWG	0.9	28.42

Jackie t: PVC, LSZH (Low Smoke Zero Halogen), Outdoor PE
Packaging: 305M / 500M Wooden Reel



Cat.6A Patch Cord



Features and Benefits

- Specified to 500MHz
- Suitable for 10G BASE-T, 10 Gigabit Ethernet Applications
- Meets or exceeds Cat.6A requirements when full product system is used
- 50-micron gold plated RJ-45 male-to -male
- PVC, Low Smoke Zero Halogen & Outer Sheath are available
- Multiple Selection of Lengths and Colors
- 24 AWG stranded bare copper conductor for unshielded; 26 AWG stranded bare copper conductor for shielded
- Backward compatible with Cat.5e and Cat.6
- RoHS Compliant

Order Information

Part Number	Description	Length	Part Number	Description	Length
GLCA966AXXX-X010	Cat.6A 24AWG U-UTP PVC patch cord	1M 966	GLCA966AXXX-X010	Cat.6A 24AWG U-UTP LSZH patch cord	1M
GLCA968AXXX-X010	Cat.6A 26AWG U-FTP PVC patch cord	1M 968	GLCA968AXXX-X010	Cat.6A 26AWG U-FTP LSZH patch cord	1M
GLCA964AXXX-X010	Cat.6A 26AWG F-FTP PVC patch cord	1M 964A	GLCA964AXXX-X010	Cat.6A 26AWG F-FTP LSZH patch cord	1M
GLCA969AXXX-X010	Cat.6A 26AWG 5-FTP PVC patch cord	1M 969	GLCA969AXXX-X010	Cat.6A 26AWG 5-FTP LSZH patch cord	1M

Length: 0.5 / 1 / 2 / 3 / 5 / 7 / 10M available

Coding scheme

Assembly type= X	Jacket color= XX	Packing= X
P=P+P S=P+P+SR (Assembly)	GY=gray, IV=ivory, RD=red YL=yellow, GN=green, BL=blue	1=1pcs / PE bag

Cat.6 Patch Cord

Features and Benefits

- Specified to 250MHz
- Suitable for Gigabit 1000 BASE-T; 100 BASE-T; 10BASE-T (IEEE 802.3) Applications
- Meets or exceeds Cat.6 requirements
- 50-micron gold plated RJ-45 male-to -male
- PVC, Low Smoke Zero Halogen & Outer Sheath are available
- Multiple Selection of Lengths and Colors
- 24 AWG stranded bare copper conductor for unshielded ; 26 AWG stranded bare copper conductor for shielded
- RoHS Compliant

Order Information

Part Number	Description	Length	Part Number	Description	Length
GLCA956AXXX-X010	Cat.6 24AWG U-UTP PVC patch cord	1M 966	GLCA956AXXX-X010	Cat.6 24AWG U-UTP LSZH patch cord	1M
GLCA952AXXX-X010	Cat.6 26AWG F-UTP PVC patch cord	1M 962	GLCA952AXXX-X010	Cat.6 26AWG F-UTP LSZH patch cord	1M
GLCA959AXXX-X010	Cat.6 26AWG SF-UTP PVC patch cord	1M 969	GLCA959AXXX-X010	Cat.6 26AWG SF-UTP LSZH patch cord	1M

Length: 0.5 / 1 / 2 / 3 / 5 / 7 / 10M available

Cat.5e Patch Cord

Features and Benefits

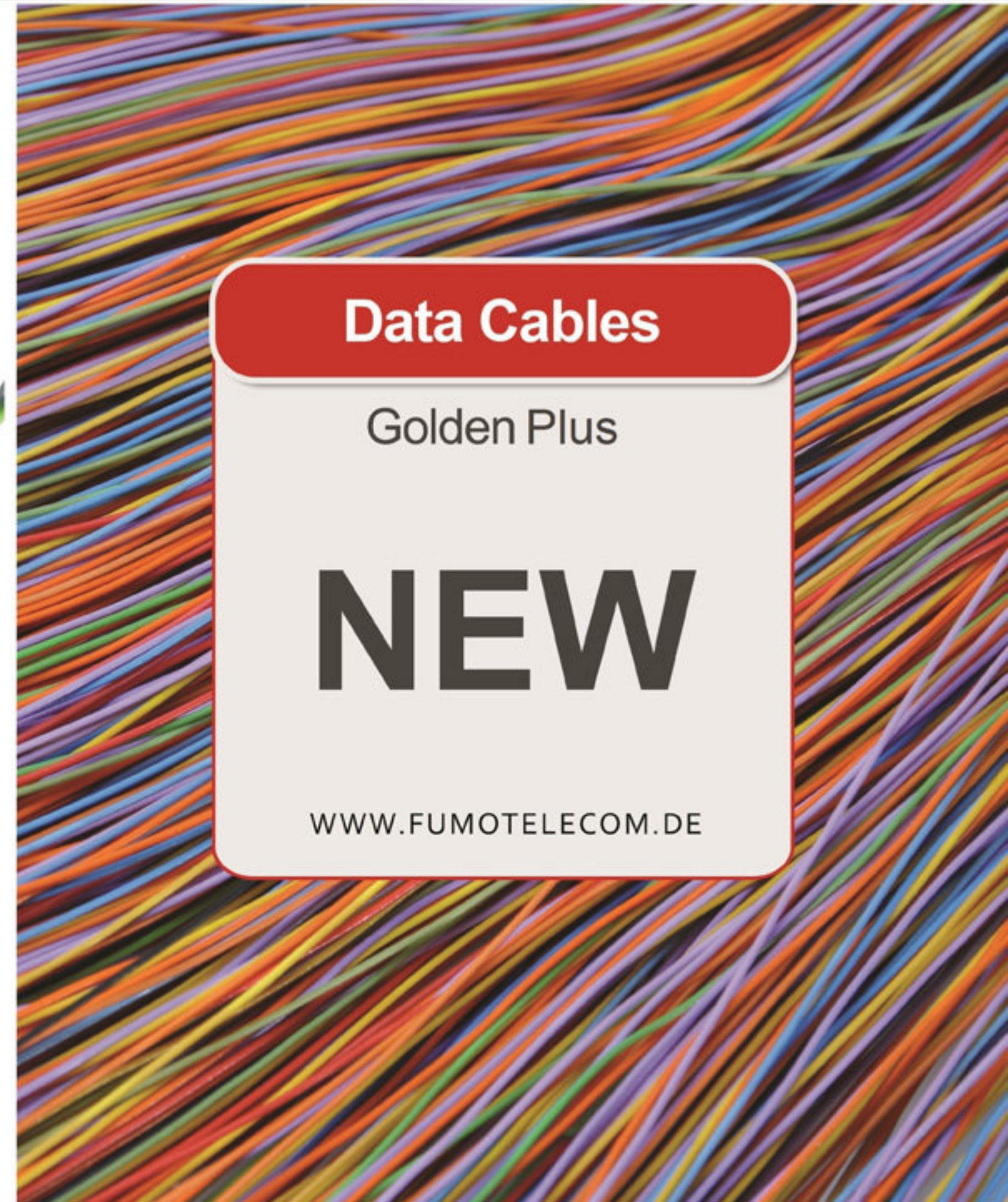
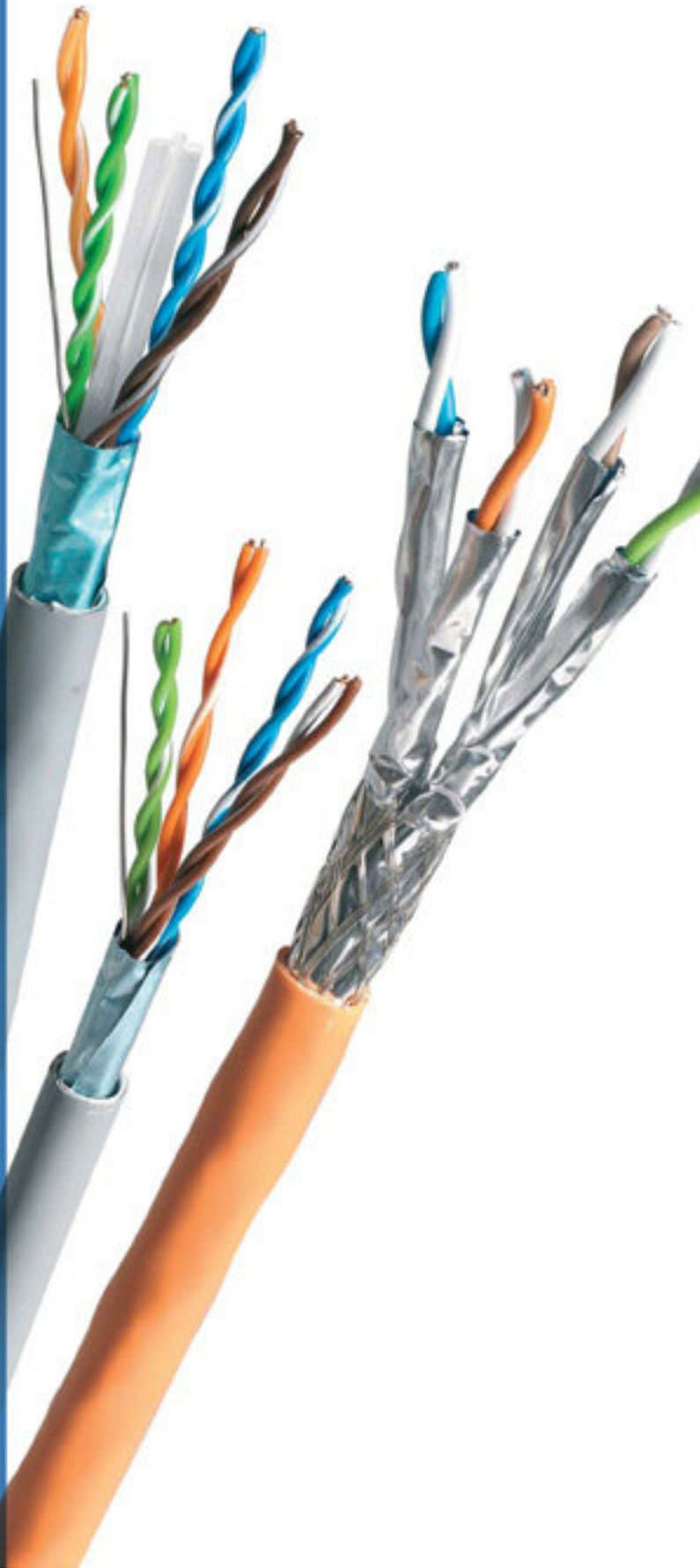
- Specified to 100MHz
- Suitable for Gigabit Ethernet, ATM 155.622Mbps, FDDI/CDDI 100Mbps, Ethernet 100 Base-TX, 100 Base VG; Token Ring, 10 Base-T Applications
- Meets or exceeds Cat.5e requirements
- 50-micron gold plated RJ-45 male-to -male
- PVC, Low Smoke Zero Halogen & Outer Sheath are available
- Multiple Selection of Lengths and Colors
- 24 AWG stranded bare copper conductor for unshielded ; 26 AWG stranded bare 952LXX-X005 copper conductor for shielded
- RoHS Compliant

Part Number	Description	Length	Part Number	Description	Length
GLCA956AXXX-X010	Cat.5e 24AWG U-UTP PVC patch cord	956A	GLCA956AXXX-X010	Cat.5e 24AWG U-UTP LSZH patch cord	1M
GLCA952AXXX-X010	Cat.5e 26AWG F-UTP PVC patch cord	952A	GLCA952AXXX-X010	Cat.5e 26AWG F-UTP LSZH patch cord	1M
GLCA959AXXX-X010	Cat.5e 26AWG SF-UTP PVC patch cord	959A	GLCA959AXXX-X010	Cat.5e 26AWG SF-UTP LSZH patch cord	1M

Length: 0.5 / 1 / 2 / 3 / 5 / 7 / 10M available

Coding scheme

Assembly type= X	Jacket color= XX	Packing= X
P=P+P S=P+P+SR (Assembly) M=P+P+SR (Molding- regular) N=P+P+SR (Molding- with hood) O=P+P+SR (Molding- short type) C=P+P+SR (Molding- short type with hood)	BK=black, WH=white, GY=gray, IV=ivory, RD=red, OR=orange, YL=yellow, GN=green, BL=blue, BG=beige, VL=violet	1=1pcs / PE bag 2=1pcs / Blister



Data Cables

Golden Plus

NEW

WWW.FUMOTELECOM.DE



Cat6 patch cord UTP PVC GPLPCP6U

Performance

Electrical Characteristics (20°)

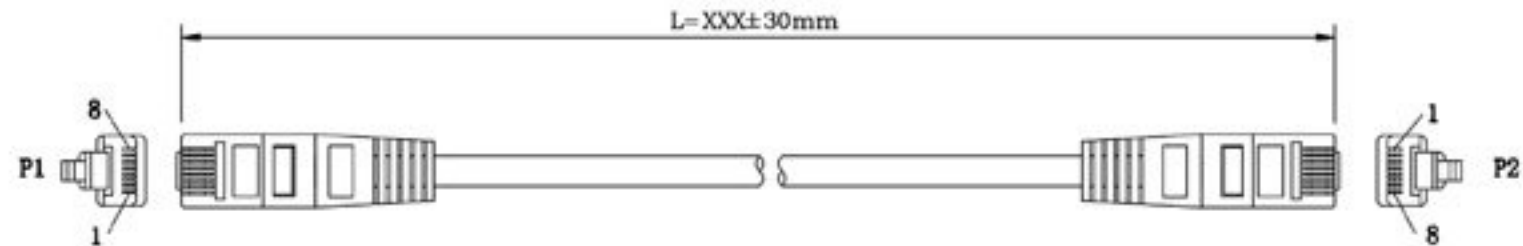
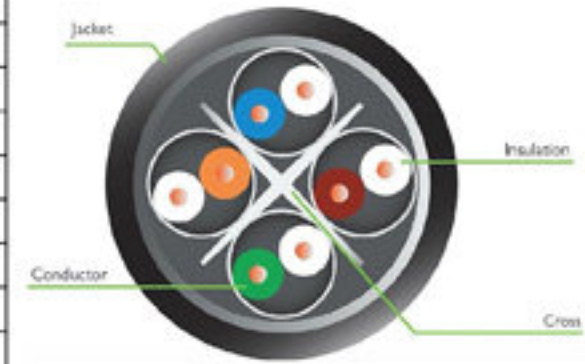
- Max. Conductor DC resistance (/KM) #23:93.8
- Min. Insulation resistance (/KM) PE:100M
- Dielectric strength AC-500V/1 Min No breakdown
- D-C resistance unbalance: Max 2%
- Pair-to-ground capacitance unbalance: Max. 330PF/100M
- Input impedance: 4-100MHz 100+/-15ohm
100-250MHz 100+/-22ohm
- Mean characteristic impedance@100MHz: 100+/-5 OHMS
- Nominal Velocity of Propagation (NVP) 68+/-2%
- Propagation Delay@100MHz ≥537.6 ns/100M
- Propagation Delay skew: Max ≥45ns/100M
- Frequency Range minimum requirements (Equations)
- Insertion loss 4-250MHz IEC61156-6: Equation (2)
- Return loss 4-250MHz IEC61156-6
- Input impedance 4-250MHz IEC61156-6
- NEXT 4-250MHz IEC61156-6: Equation (6)
- PS NEXT 4-250MHz IEC61156-6: Equation (5)
- ELFEXT 4-250MHz IEC61156-6: Equation (7)
- PS ELFEXT 4-250MHz IEC61156-6: Equation (7)



Physical Properties	Insulation	Tens strength (before aging)	Kgf/mm ²	>1.68
		Tens strength (after aging)	Kgf/mm ²	
		Elongation (before aging)	%	>300%
		Elongation (after aging)	%	
	Jacket	Tens strength (before aging)	Kgf/mm ²	>1.41
		Tens strength (after aging)	Kgf/mm ²	
		Elongation (before aging)	%	>100%
		Elongation (after aging)	%	
Conductor Resistance		Ω/kM		<93.8
		20°C		
Insulation shrink back				121°Cx1hr
Insulation cold bend				-20°Cx4hr
Jacket cold bend				-20°Cx4hr

Construction:

Conductor	Bare Coper
4 Twisted Pair	8C
AWG	26
Constraction (mm)	7/0.16
Stranded Dia. (mm)	0.6
Insulation	PE
Nom. Thickness (mm)	0.21
Insulation Dia. (±0.005)	0.87/0.91
Sepaiaior	PE Cross
Shield/Braid	/
Overlap (%)	/
Darin wire	/
Jacket	PVC/Black
Nom. Thickness (mm)	0.5-0.6
Outer Dia. (±0.2mm)	5.86.0
Cores: Pairs color	P1:Blue & white
	P2: Orange & White
	P3: Green & White
	P4: Brown & White



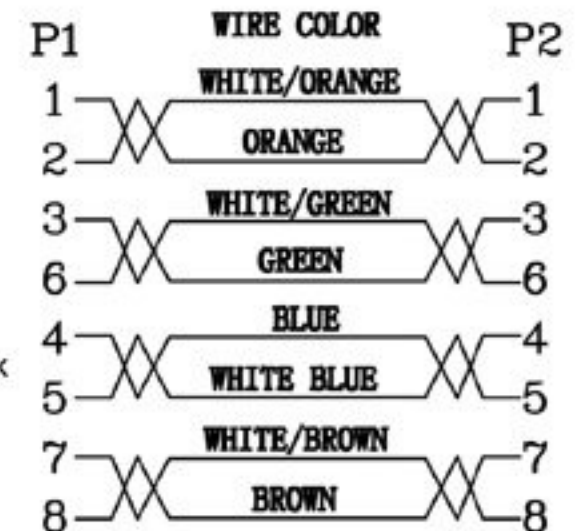
Notes:

- Electrical Test: 100% open, short & Miss wire test.
- Conductor Resistance: 2 OHMS max. insulator resistance: 10M OHMS min.
- HI-POT: DC 300V 0.01sec.

Remark:

- Cable: UTP Cat6 Cable 4P*26AWG (7/0.16BC). OD: 6.0 ± 0.20mm. Jacket PVC, Color:Black
- Conn. :P1, P2 8P8C UTP Plug, Gold Plated FU".
- Packing: Each Cable in Poly-bag.
- Molded: PVC, Color: Black

WIRE CONNECTION



Cat6 180 Degree Keystone Jack Module Tool Less Short Body GLUC80-6HT-A

Specification

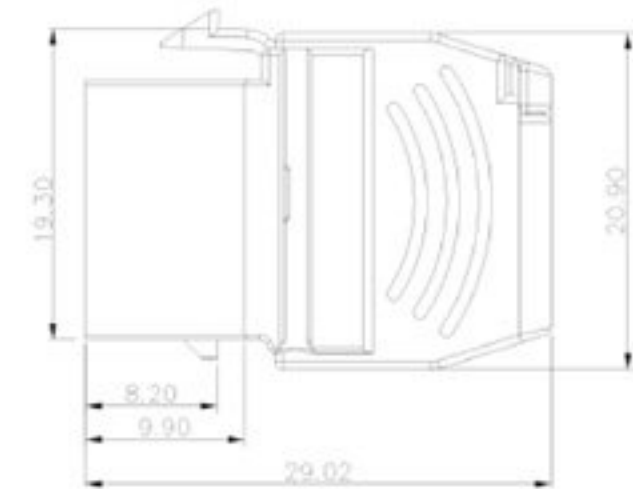
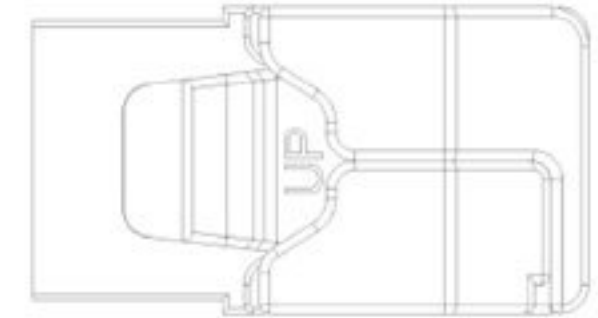
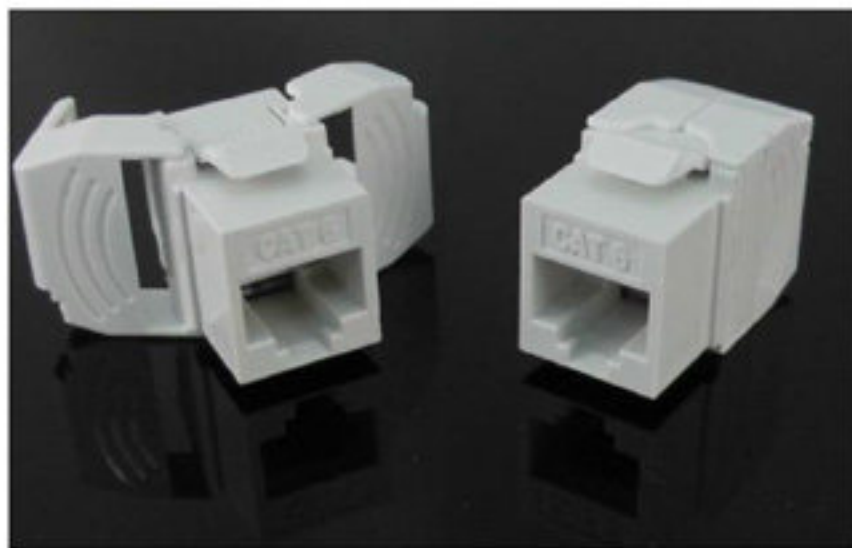
Meets ANSI/TIA-568-C.2 Category 6 Connecting Hardware

Electrical

- Insulation Resistance: 500 MΩhm minimum @ 100 Vdc
- Dielectric Withstanding Voltage: 1000 Vac rms @ 60Hz for one minute
- Current Rating: 1.5 Amps
- Spring wire contact resistance: 20 MΩhm maximum
- IDC Contact resistance: 2.5 MΩhm maximum

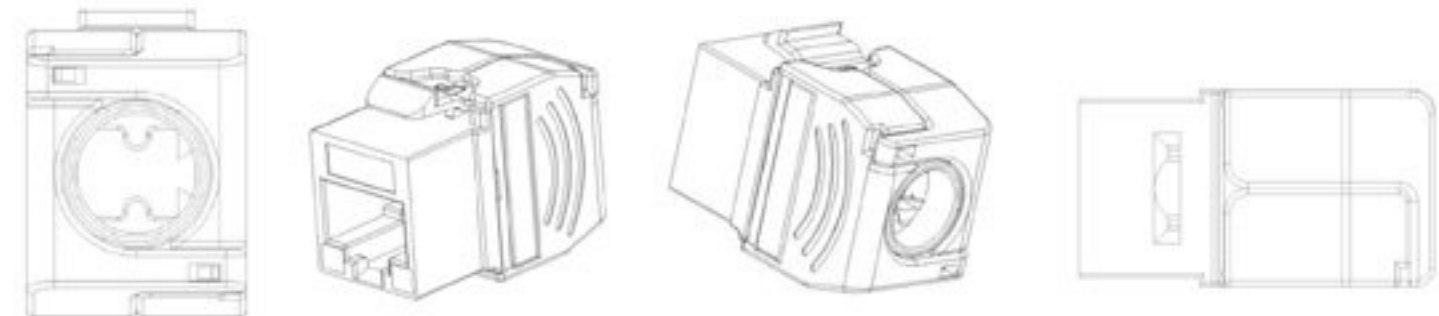
Mechanical

- Total Contact force : >100 GRAMS per contact wire lead
- Retention : 50 N(11 lbf) for 60s ± 5s
- Durability : 750 cycles minimum
- Conductor compatibility : 22~24AWG
- Temperature range storage : -40° C ~ +70 C
- Temperature range operation : -10° C ~ +60 C
- Relative humidity operation : Maximum noncondensing 93%



Materials

- Housing: High Impact flame retardant plastic, UL 94 V-0 Rated
- PCB : FR4, 1.6mm thickness
- Spring wire : Phosphor Bronze Alloy plated with 50 micro-inch of gold over 70 ~ 100 micro-inch of nickel
- IDC : Phosphor Bronze alloy plated with 100 micro-inch of tin



LAN Cables - Symmetrical Twisted Pair Cables for Data Transmission

GLPLUS 640



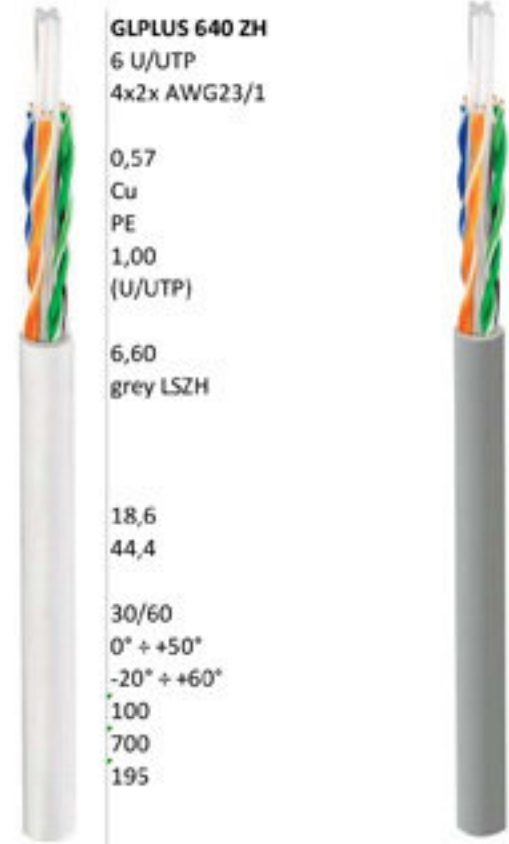
Application	Primary (Campus), Secondary (Riser), Tertiary (Horizontal)
Standard	IEEE 802.3; 10Base-T; 100Base-T; 1000Base-T IEEE 802.5 16 MB; ISDN; TPDDI; ATM EIA-TIA 568B.2 EN 50173; EN 50288-6-1 IEC 61156-5 ISO/IEC 11801
Fire-Resistance Rating	PVC LSZH IEC 60332-1 IEC 60332-1

Fumo code	GLPLUS 640
Category	6 U/UTP
Construction	4x2x AWG23/1

CONSTRUCTION DATA	
Conductors	dia. mm 0,57 material Cu
Insulation	material PE dia. mm 1,00
Screen	(U/UTP)
Outer Sheath	dia. mm 6,60 material white PVC
2° Outer Sheath	dia. mm material

PHISICAL DATA	
Copper Content	kg/km 18,6
Cable Weight	kg/km 42,4
Min. Bending Radius 1/n	mm 30/60
Temperature installation	°C 0° +50°
operation	°C -20° +60°
Max. Tensile Strength	N 100
Fire Load	MJ/km 660 KWh/km 183

ELETTRICAL DATA	
Impedance	100 MHz Ohm 100 ± 5
Mutual Capacitance (@800Hz)	pF/m 48
Velocity Radio	% 67
Transmission Data	at 20° C Att. dB/100m
at 100 MHz	17,4
at 200 MHz	25,0
Coupling Attenuation (30 ÷ 100 MHz)	dB > 45
DC Conductor Resistance	Ohm/km 80,0
Loop Resistance	Ohm/km 160
Sheath Insulation Voltage	kV 1,0
Insulation Resistance (500V)	MOhm/km > 5000
Voltage Test (1 min DC)	V 1000



GLPLUS 640 PE	GLPLUS 640 2G	2x GLPLUS 640 ZH
6 U/UTP	6 U/UTP	2x (6 U/UTP)
4x2x AWG23/1	4x2x AWG23/1	2x (4x2x AWG23/1)
Conductors	dia. mm 0,57 material Cu	0,57 Cu
Insulation	material PE dia. mm 1,00	PE 1,00
Screen	(U/UTP)	(U/UTP)
Outer Sheath	dia. mm 6,60 material black PE	6,60 white PVC
2° Outer Sheath	dia. mm 7,80 material black PE	14,20 grey LSZH
Copper Content	kg/km 18,6	kg/km 37,1
Cable Weight	kg/km 37,8	kg/km 90,5
Min. Bending Radius 1/n	mm 30/60	mm 30/60
Temperature installation	°C 0° +50°	°C 0° +50°
operation	°C -20° +60°	°C -20° +60°
Max. Tensile Strength	N 100	N 100
Fire Load	MJ/km 575 KWh/km 160	MJ/km 1307 KWh/km 363
Impedance	100 MHz Ohm 100 ± 5	100 MHz Ohm 100 ± 5
Mutual Capacitance (@800Hz)	pF/m 48	pF/m 48
Velocity Radio	% 67	% 67
Transmission Data	at 20° C Att. dB/100m	at 20° C Att. dB/100m
at 100 MHz	17,4	17,4
at 200 MHz	25,0	25,0
Coupling Attenuation (30 ÷ 100 MHz)	dB > 45	dB > 45
DC Conductor Resistance	Ohm/km 80,0	Ohm/km 80,0
Loop Resistance	Ohm/km 160	Ohm/km 160
Sheath Insulation Voltage	kV 1,0	kV 1,0
Insulation Resistance (500V)	MOhm/km > 5000	MOhm/km > 5000
Voltage Test (1 min DC)	V 1000	V 1000

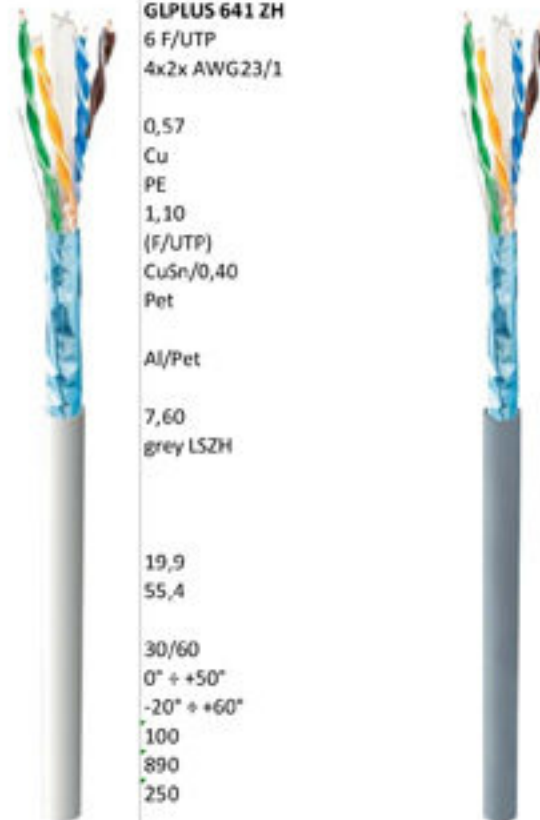


LAN Cables - Symmetrical Twisted Pair Cables for Data Transmission

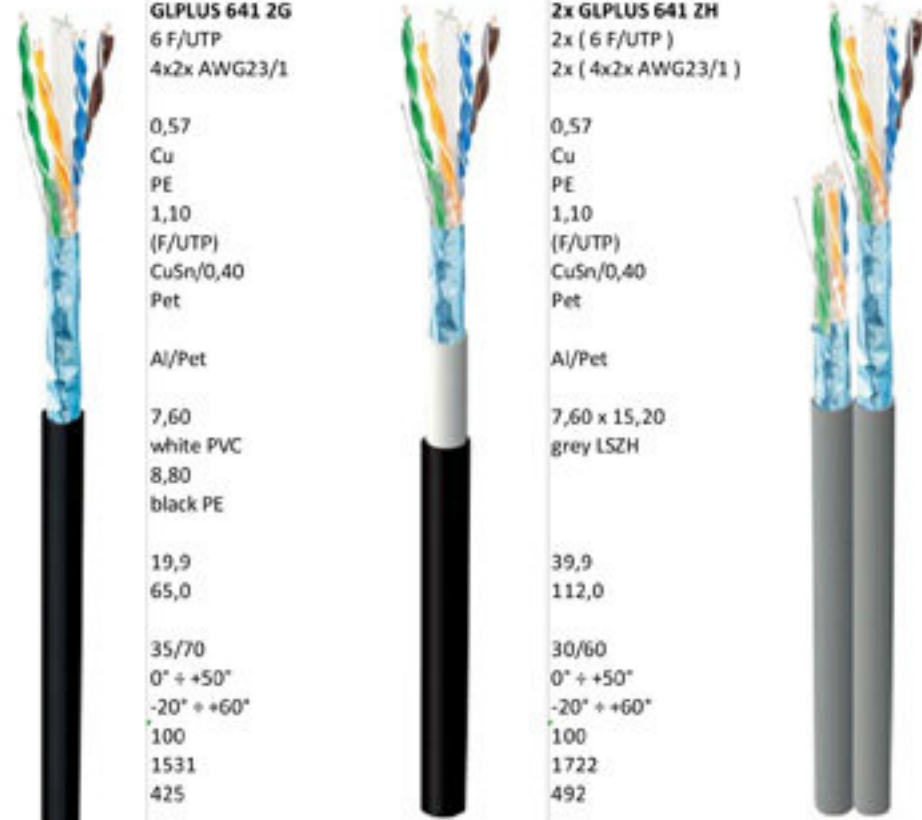
GLPLUS 641



Application		Primary (Campus), Secondary (Riser), Tertiary (Horizontal)	
Standard	acc. to	IEEE 802.3; 10Base-T; 100Base-T; 1000Base-T IEEE 802.5 16 MB; ISDN; TPDDI; ATM EIA-TIA 568B.2 EN 50173; EN 50288-5-1 IEC 61156-5	
Fire-Resistance Rating	PVC LSZH	IEC 60332-1 IEC 60332-1	
Fumo code		GLPLUS 641	GLPLUS 641 ZH
Category		6 F/UTP	6 F/UTP
Construction		4x2x AWG23/1	4x2x AWG23/1
CONSTRUCTION DATA			
Conductors	dia. mm	0,57	0,57
	material	Cu	Cu
Insulation	material	PE	PE
	dia. mm	1,10	1,10
		(F/UTP)	(F/UTP)
Screen			
Drain Wire	Mat./dia.	CuSn/0,40	CuSn/0,40
Film Foil		Pet	Pet
1. Pairs Screen	mode		
Film Foil Laminate	material	Al/Pet	Al/Pet
Outer Sheath	dia. mm	7,60	7,60
	material	white PVC	grey LSZH
2" Outer Sheath	dia. mm		
	material		
PHISICAL DATA			
Copper Content	kg/km	19,9	19,9
Cable Weight	kg/km	52,6	55,4
Min. Bending Radius 1/n	mm	30/60	30/60
Temperature installation	°C	0° + +50°	0° + +50°
operation	°C	-20° + +60°	-20° + +60°
Max. Tensile Strength	N	100	100
Fire Load	MJ/km	945	890
	KWh/km	262	250
ELETTRICAL DATA			
Impedance			
100 MHz	Ohm	100 ± 5	100 ± 5
Mutual Capacitance (@800Hz)	pF/m	48	48
Velocity Ratio	%	67	67
Transmission Data	a 20° C	Att. dB/100m	NEXT dB
at 100	MHz	17,4	60,0
at 200	MHz	25,0	55,0
Coupling Attenuation (30 ÷ 100 MHz)	dB	> 45	> 45
DC Conductor Resistance	Ohm/km	80,0	80,0
Loop Resistance	Ohm/km	160	160
Sheath Insulation Voltage	kV	1,0	1,0
Insulation Resistance (500V)	MOhm/km	> 5000	> 5000
Voltage Test (1 min DC)	V	1000	1000
Shield Transfer Impedance (Zt)			
1 MHz	mΩ/m	< 35	< 35
10 MHz	mΩ/m	< 45	< 45
30 MHz	mΩ/m	< 110	< 110
100 MHz	mΩ/m	< 150	< 150
Screening Attenuation (SA)			
30 - 250 MHz	dB	> 50	> 50
250 - 1000 MHz	dB	> 45	> 45

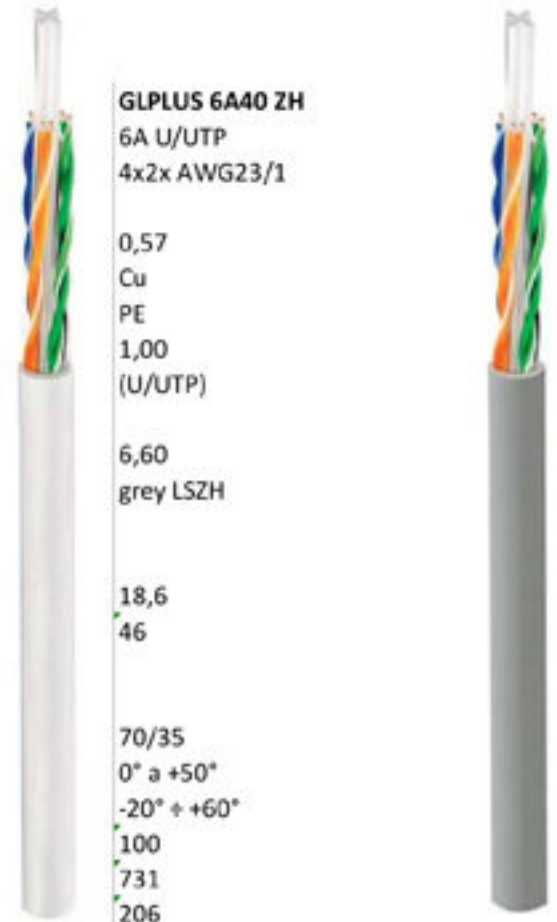


GLPLUS 641 PE	GLPLUS 641 2G	2x GLPLUS 641 ZH
6 F/UTP	6 F/UTP	2x (6 F/UTP)
4x2x AWG23/1	4x2x AWG23/1	2x (4x2x AWG23/1)
0,57	0,57	0,57
Cu	Cu	Cu
PE	PE	PE
1,10	1,10	1,10
(F/UTP)	(F/UTP)	(F/UTP)
CuSn/0,40	CuSn/0,40	CuSn/0,40
Pet	Pet	Pet
Al/Pet	Al/Pet	Al/Pet
7,60	7,60	7,60 x 15,20
black PE	white PVC	grey LSZH
	8,80	
	black PE	
19,9	19,9	39,9
47,2	65,0	112,0
30/60	35/70	30/60
0° + +50°	0° + +50°	0° + +50°
-20° + +60°	-20° + +60°	-20° + +60°
100	100	100
1104	1531	1722
307	425	492
100 ± 5	100 ± 5	100 ± 5
48	48	48
67	67	67
Att. dB/100m	NEXT dB	ACR dB/100m
25,0	60,0	42,6
20,0	55,0	30,0
> 45	> 45	> 45
80,0	80,0	80,0
160	160	160
1,0	1,0	1,0
> 5000	> 5000	> 5000
1000	1000	1000
< 35	< 35	< 35
< 45	< 45	< 45
< 110	< 110	< 110
< 150	< 150	< 150
> 50	> 50	> 50
> 45	> 45	> 45



LAN Cables - Symmetrical Twisted Pair Cables for Data Transmission

GLPLUS6A40



Application	Primary (Campus), Secondary (Riser), Tertiary (Horizontal)	
Standard	IEEE 802.3; 10Base-T; 100Base-T; 1000Base-T EIA-TIA 568C.2 EN 50173; EN 50288-11-1 DRAFT IEC 61156-5 ISO/IEC 11801	
Fire-Resistance Rating	PVC LSZH	IEC 60332-1 IEC 60332-1
Fumo code	GLPLUS 6A40	
Category	6A U/UTP	
Construction	4x2x AWG23/1	
CONSTRUCTION DATA		
Conductors	dia. mm material	0,57 Cu
Insulation	material dia. mm	PE 1,00
Screen		(U/UTP)
Outer Sheath	dia. mm material	6,60 white PVC
PHISICAL DATA		
Copper Content	kg/km	18,6
Cable Weight	kg/km	42,5
Min. Bending Radius:	70/35	
installation / operation	mm	
Temperature installation	°C	0° a +50°
operation	°C	-20° + +60°
Max. Tensile Strength	N	100
Fire Load	MJ/km KWh/km	741 206
ELETRICAL DATA		
Impedance	100 ± 5	
100 MHz	Ohm	
Mutual Capacitance (@800Hz)	pF/m	48
Velocity Radio	%	67
Transmission Data	a 20° C	Att. dB/100m
at 100	MHz	17,4
at 200	MHz	25,0
Coupling Attenuation (30 + 100 MHz)	dB	> 45
DC Conductor Resistance	Ohm/km	80,0
Loop Resistance	Ohm/km	160
Sheath Insulation Voltage	kV	1,0
Insulation Resistance (500V)	MOhm/km	> 5000
Voltage Test (1 min DC)	V	1000

RL dB	NEXT dB	ACR dB/100m
25,0	60,0	42,6
20,0	55,0	30,0

Application	Primary (Campus), Secondary (Riser), Tertiary (Horizontal)	
Standard	IEEE 802.3; 10Base-T; 100Base-T; 1000Base-T IEEE 802.5 16 MB; ISDN; TPDDI; ATM EIA-TIA 568B.2 EN 50173; EN 50288-5-1 IEC 61156-5 ISO/IEC 11801 IEC 60332-1 IEC 60332-1	
Fire-Resistance Rating	PVC LSZH	IEC 60332-1 IEC 60332-1
Fumo code	GLPLUS 6A 43 ZH	
Category	6A U/FTP	
Construction	4x2x AWG23/1	
CONSTRUCTION DATA		
Conductors	dia. mm material	0,57 Cu
Insulation	material dia. mm	PEG 1,40
Screen		(U/FTP)
Drain Wire	Mat./dia.	CuSn/0,40
1. Pairs Screen	mode material	Al/Pet
Film Foil	material	Pet
Outer Sheath	dia. mm material	7,20 grey LSZH
PHISICAL DATA		
Copper Content	kg/km	20,3
Cable Weight	kg/km	55,5
Min. Bending Radius 1/n	mm	35/70
Temperature installation	°C	0° + +50°
operation	°C	-20° + +60°
Max. Tensile Strength	N	340
Fire Load	MJ/km KWh/km	608 169
ELETRICAL DATA		
Impedance	100 ± 5	
100 MHz	Ohm	
Mutual Capacitance (@800Hz)	pF/m	43
Velocity Radio	%	77
Transmission Data	a 20° C	Att. dB/100m
at 100	MHz	17,4
at 200	MHz	25,0
Coupling Attenuation (30 + 100 MHz)	dB	> 45
DC Conductor Resistance	Ohm/km	73,0
Loop Resistance	Ohm/km	164
Sheath Insulation Voltage	kV	1,0
Insulation Resistance (500V)	MOhm/km	> 5000
Voltage Test (1 min DC)	V	1000
Shield Transfer Impedance (Zt)		
1 MHz	mΩ/m	< 11
10 MHz	mΩ/m	< 5
30 MHz	mΩ/m	< 3
Screening Attenuation (SA)		
30 - 100 MHz	dB	> 70
100 - 1000 MHz	dB	> 50

GLPLUS 6A43



GLPLUS 6A 43 ZH	GLPLUS 6A 44 ZH
6A U/FTP	6A F/FTP
4x2x AWG23/1	4x2x AWG23/1
dia. mm	0,57
material	Cu
material	PEG
dia. mm	1,40
	(F/FTP)
	CuSn/0,40
	Al/Pet
	Al/Pet
dia. mm	7,20
material	grey LSZH
kg/km	20,3
kg/km	55,5
mm	35/70
°C	0° + +50°
°C	-20° + +60°
N	340
MJ/km	665
KWh/km	185
Ohm	100 ± 5
pF/m	43
%	77
a 20° C	Att. dB/100m
MHz	17,4
MHz	25,0
dB	> 45
Ohm/km	73,0
Ohm/km	164
kV	1,0
MOhm/km	> 5000
V	1000
mΩ/m	< 11
mΩ/m	< 5
mΩ/m	< 3
dB	> 70
dB	> 50

GLPLUS 6A44



RL dB	NEXT dB	ACR dB/100m
25,0	80,0	62,6
25,0	75,0	50,0

Cat. 7 and 7A LAN CABLES

APPLICATION AND STANDARD

The standard cable Cat.7 was created to enable the transmission of network protocols 10 Gigabit Ethernet over 100 meters of copper cables. It is compatible with previous networks realized with Cat.5e, 6 and 6A but has characteristics that are more stringent for crosstalk and system noise.

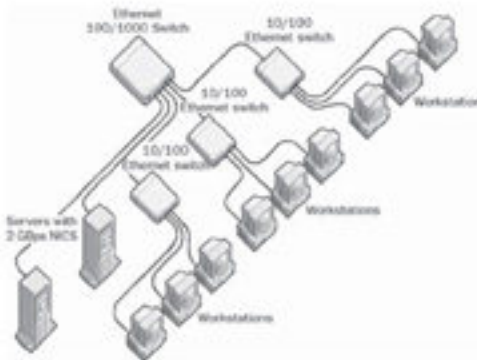
The cable Cat.7 can be terminated either with 8P8C compatible GG45 electrical connectors and with TERA connectors. In combination with said connectors it is suitable to transmit up to 600 MHz.

As of November 2010, all manufacturers of active equipment have chosen to support the connection 8P8C for their products compatible to 10 Gigabit Ethernet over copper, but not connections GG45, ARJ45 or TERA which remain applicable to the Cat.6A.

Channel Class FA and cable Cat.7A were introduced for transmissions up to 1,000 MHz on 10 Gigabit Ethernet over 100m. The cable is suitable for multiple applications, including transmission at 40 Gigabit Ethernet up to 50m, 100 Gigabit Ethernet up to 15m and CATV (bandwidth up to 862 MHz). Each pair offers up to 1.200 MHz of bandwidth.

CABLE CONSTRUCTION

The cable Cat.7 contains four pairs of copper twisted wires, just like the previous regulations, but to obtain the characteristics described above, were added: both the individual shielding for each pair of wires and that of the cable as a whole (S/FTP). Also, the screen, the stranding of the pairs and the number of turns per unit length of the individual pairs optimize the RF shield and protect better from Crosstalk.



GG45 connector



Tera connector



LAN Cables - Symmetrical Twisted Pair Cables for Data Transmission

Application	Primary (Campus), Secondary (Riser), Tertiary (Horizontal)				
Standard	acc. to	IEEE 802.3; 10Base-T; 100Base-T; 1000Base-T IEEE 802.5 16 MB; ISDN; TPDD; ATM EIA-TIA 568B.2 EN 50173; EN 50288-5-1 IEC 61156-5 ISO/IEC 11801 IEC 60332-1 IEC 60332-1			
Fire-Resistance Rating	PVC LSZH				
Fumo code	GLPLUS 7 454 ZHA				
Category	7 S/FTP				
Construction	4x2x AWG23/1				
CONSTRUCTION DATA					
Conductors	dia. mm	0,57			
	material	Cu			
Insulation	material	PEG			
	dia. mm	1,40 (S/FTP)			
Screen	mode				
1. Pairs Screen	material	Al/Pet			
Film Foil Laminate	material	Cu Sn			
2. Overall Braid Screen	%	41			
Braid Optical Coverage					
Outer Sheath	dia. mm	8,00			
	material	orange LSZH			
PHISICAL DATA					
Copper Content	kg/km	24,9			
Cable Weight	kg/km	59,6			
Min. Bending Radius 1/n	mm	80/40			
Temperature installation	°C	0° + +50°			
operation	°C	-20° + +60°			
Max. Tensile Strength	N	320			
Fire Load	MJ/km	623			
	KWh/km	173			
ELETTRICAL DATA					
Impedance	Ohm	100 ± 5			
1 + 100 MHz	pF/m	43			
Mutual Capacitance (@800Hz)	%	77			
Velocity Radio					
Transmission Data	at 20° C	Att. dB/100m	RL dB	NEXT dB	ACR dB/100m
at 100	MHz	17,4	25,0	80,0	62,6
at 200	MHz	25,0	25,0	75,0	50,0
Coupling Attenuation (30 + 100 MHz)	dB	> 45			
DC Conductor Resistance	Ohm/km	73,0			
Loop Resistance	Ohm/km	164			
Sheath Insulation Voltage	kV	1,0			
Insulation Resistance (500V)	MOhm/km	> 5000			
Voltage Test (1 min DC)	V	1000			
Shield Transfer Impedance (Zt)					
1 MHz	mΩ/m	< 9			
10 MHz	mΩ/m	< 7			
30 MHz	mΩ/m	< 5			
Screening Attenuation (SA)					
30 - 100 MHz	dB	> 80			
100 - 1000 MHz	dB	> 85			

GLPLUS 745



LAN Cables - Symmetrical Twisted Pair Cables for Data Transmission

Application	Primary (Campus), Secondary (Riser), Tertiary (Horizontal) IEEE 802.3; 10Base-T; 100Base-T; 1000Base-T IEEE 802.5 16 MB; ISDN; TPDDI; ATM EIA-TIA 568B.2											
Standard	acc. to EN 50173; EN 50288-5-1 IEC 61156-5 ISO/IEC 11801 IEC 60332-1 IEC 60332-1											
Fire-Resistance Rating	PVC LSZH IEC 60332-1											
Fumo code	GLPLUS 7A											
Category	Cat. 7A											
Construction	S/FTP											
CONSTRUCTION DATA												
Conductors	GLPLUS 7A 1500 ZHA 7A S/FTP 4x2x AWG22/1			GLPLUS 7A 1200 ZHA 7A S/FTP 4x2x AWG23/1			GLPLUS 7A 1000 ZHA 7A S/FTP 4x2x AWG23/1					
Insulation	dia. mm 0,64 material Cu dia. mm 1,52 (S/FTP) CuSn/0,40			0,57 Cu 1,40 (S/FTP) CuSn/0,40			0,57 Cu 1,40 (S/FTP) CuSn/0,40					
Screen	Mat./dia. mode material Al/Pet Cu Sn % 40			Al/Pet Cu Sn 41			Al/Pet Cu Sn 30					
Outer Sheath	dia. mm 8,20 material orange LSZH			8,00 orange LSZH			8,00 orange LSZH					
PHYSICAL DATA												
Copper Content	kg/km 29,9			20,3			20,3					
Cable Weight	kg/km 66,3			55,5			55,5					
Min. Bending Radius 1/n	mm 80/40			80/40			80/40					
Temperature installation	°C 0° +50°			0° +50°			0° +50°					
operation	°C -20° +60°			-20° +60°			-20° +60°					
Max. Pulling Strength	N 380			340			340					
Fire Load	MJ/km 655 KWh/km 182			623 173			623 173					
ELECTRICAL DATA												
Impedance	100 ± 5											
1 + 100 MHz	43											
Mutual Capacitance (@800Hz)	77											
Velocity Ratio	%											
Transmission Data	a 20° C											
at 100 MHz	Att. dB/100 m	RL dB	NEXT dB	ACR dB/100 m	Att. dB/100 m	RL dB	NEXT dB	ACR dB/100 m	Att. dB/100 m	RL dB	NEXT dB	ACR dB/100 m
at 200 MHz	16,5	25,0	80,0	63,5	17,4	25,0	80,0	62,6	17,4	25,0	80,0	62,6
Coupling Attenuation (30 ÷ 100 MHz)	dB > 45											
DC Conductor Resistance	Ohm/km 57,5											
Loop Resistance	Ohm/km 115											
Sheath Insulation Voltage	kV 1,0											
Insulation Resistance (500V)	MOhm/km > 5000											
Voltage Test (1 min DC)	V 1000											
Shield Transfer Impedance (Zt)												
1 MHz	mΩ/m < 9			< 9			< 9					
10 MHz	mΩ/m < 7			< 7			< 7					
30 MHz	mΩ/m < 5			< 5			< 5					
Screening Attenuation (SA)												
30 - 100 MHz	dB > 80			> 70			> 70					
100 - 1000 MHz	dB > 85			> 85			> 85					

ECOLOGICAL PACKING

CABLEBOX DISPENSER PACKING SYSTEM

Until recently, coils in a box or non-returnable cardboard and plastic reels were the most popular means of packaging cables. In spite of some inconveniences, these packages were accepted as the norm. Today, due to environmental studies and concerns, the concept of recycling has become a paramount issue, prompting Fumo to develop a total solution in terms of **EFFICIENCY, ECONOMY** and **ECOLOGY**.

This has led to the introduction of a revolutionary product - the CABLEBOX dispenser - a design based on the concepts of **REDUCTION** and **REUTILISATION**.

The CABLEBOX dispenser is made of a stand containing one reel, which can be easily opened into two parts. These pieces, made of a shock resistant, very strong plastic material, form a cable dispenser with a very long life expectancy.

The "refill" is represented by the coil of cable supplied by Fumo.

The dispensers are available in two sizes, suitable for either the 100 or 250 metre coil of cable.

They can be carried and are also provided with a shoulder strap. This is a safety feature that enables the installer to move with both hands free.



The Past
old pack solution

...of just 1 pallet with 12 km of cable, WHAT DO YOU DO WITH: 48 dirty wooden drums or 40 useless Fumo board boxes? **THIS IS A WASTE DISPOSAL PROBLEM!**



The Present
new smart pack solution

of 1 pallet with 12,0 km cable, you waste just FEW hg of paper and plastic.

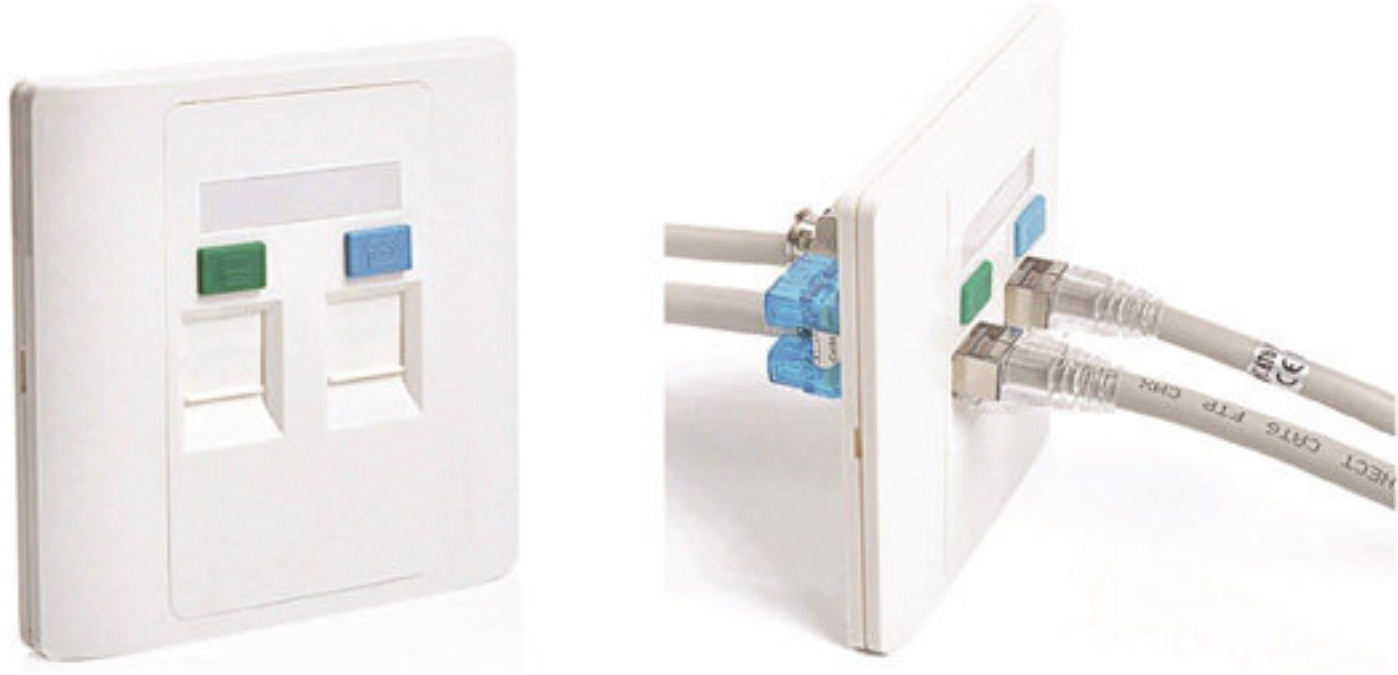
This is a Total Solution!

The cable will always unroll perfectly without assuming a "spiral shape", an annoying drawback of box dispensers that makes installation in ducts very difficult. This is most useful when installing a bundle of cables together in a conduit.

Rewinding excess cable back into the dispenser is very straightforward due to the access through the centre hole. The sheath of all Fumo cables supplied in shrinkpack form is provided with a decreasing meter marking, allowing the installer to check the length of a run or drop against the remaining contents of the dispenser.

With the CABLEBOX dispenser packing system, there is no reel disposal to consider, only a small piece of shrinkwrap. Supplying installers with CABLEBOX dispensers offers the following advantages:

- easier installation
- savings on cost and effort
- opportunity to avoid environmental problems
- improved safety.



Accessories

Golden Link

03

WWW.FUMOTELECOM.DE



UTP & Shielded Connectors



Fumo Telecom Keystone jack series have UTP and Shielded (Diecast) two types and provide with Cat.6A, Cat.6 and Cat.5e performance levels for demanding applications. They comply with industry standard like ANSI/TIA-568-C.2, ISO-11801, ANSI/TIA-1096-A (Pre-FCC Part 68), UL safety requirements as well as RoHS. Both type of keystone jacks are designed to fit with our Wallplates, Unloaded patch panels (use with 180-Degree jacks) and Surface mount boxes. We provide rapid 4-pair termination tool for punch down and termination our jacks in one push.

UTP Connectors



UTP Data Connector Series offers 90-Degree, 180-Degree and Inline coupler versions with Cat.6A, Cat.6 and Cat.5e performances. The 90-Degree jack designed to voice grade (6P6C and 6P4C) for Telephone. Our Keystone jacks are available in variety of colors



Cat.5e 90-Degree Keystone Jack

- GL-UC90-5EA Cat.5e 90-Degree keystone Jack
- GL-UC90-5EB Cat.5e 90-Degree keystone Jack with dust cover
- GL-UC90-5ED Cat.5e 90-Degree keystone Jack with shutter cover



Cat.5e 180-Degree Keystone Jack

- GL-UC80-5EA Cat.5e 180-Degree keystone Jack
- GL-UC80-5EB Cat.5e 180-Degree keystone Jack with dust cover
- GL-UC80-5ED Cat.5e 180-Degree keystone Jack with shutter cover



Cat.5e Aussie type 180-Degree Keystone Jack

- GL-UC80-5EC Cat.5e Aussie type 180-Degree Keystone Jack



Cat.5e Inline coupler

- GLUC20-5EA Cat.5e Inline coupler

1. Meets ANSI/TIA-568-C.2 and ISO/IEC 11801 (Amendment 2) for Cat.5e requirements.
2. 50 Micro-Inch gold plating on contact pins
3. UL listed
4. RoHS complaints

Voice-Grade Connectors are designed to support performance of voice transmission. They have 6-Position 6-Contacts (6P6C) and 6-Position 4-Contacts (6P4C) two configurations and using standard USOC wiring scheme label. The Contacts are 50 micro-inch gold plated. Connectors allow to be terminated with a standard 110 Single punch down tool or with Fumo Telecom 4-pair termination tool.



Voice-Grade Keystone Jack

- GL-UC90-V6A Telephone Keystone Jack, 6P6C
- GL-UC90-V6B Telephone keystone Jack 6P6C with dust cover
- GL-UC90-V4A Telephone Keystone Jack, 6P4C
- GL-UC90-V4B Telephone Keystone Jack 6P4C with dust cover



Cat.6 90-Degree Keystone Jack

- GL-UC90-6CA Cat.6 90-Degree Keystone Jack
- GL-UC90-6CB Cat.6 90-Degree Keystone Jack with dust cover
- GL-UC90-6CD Cat.6 90-Degree Keystone Jack with shutter cover



Cat.6 180-Degree Keystone Jack

- GL-UC80-6CA Cat.6 180-Degree Keystone Jack
- GL-UC80-6CB Cat.6 180-Degree Keystone Jack with dust cover
- GL-UC80-6CD Cat.6 180-Degree Keystone Jack with shutter cover



Cat.6 180-Degree Aussie Type Keystone Jack

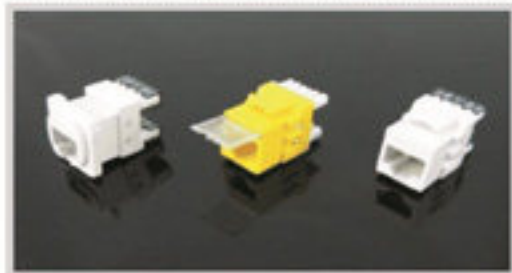
- GL-UC80-6CC Cat.6 180-Degree Aussie Type Keystone Jack





Cat.6 Inline Coupler

GLUC20-6CA Cat.6 Inline coupler



Cat.6 Connecting Hardware Rated

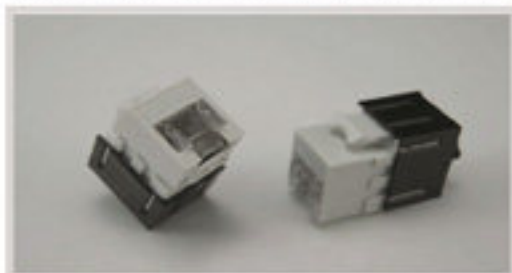
- GLUC80-6HA Cat.6 Connecting Hardware rated 180-Degree Keystone Jack
- GLUC80-6HB Cat.6 Connecting Hardware rated 180-Degree Keystone jack with dust cover
- GLUC80-6HC Cat.6 Connecting Hardware rated Aussie type Keystone Jack
- GLUC80-6HD Cat.6 Connecting Hardware rated Aussie type Keystone Jack with shutter cover

1. ANSI/TIA-568-C.2 Cat.6 Channel and Permanent link (85m and 15m short link) transmission requirements. Tested with 3rd party approved Cat.6 patch cords and Horizontal cable
2. Meets ISO 11801 Class E Channel requirement
3. 50 Micro-inch gold plating on contact pins
4. UL Listed
5. ROHS complaints
6. Available in eight colors



Cat.6A 90-Degree Connecting Hardware Rated

GLUC90-6AH Cat.6A Connecting Hardware rated 90-Degree Keystone Jack



Cat.6A 180-Degree Keystone Jack

- GLUC80-6ACA Cat.6A 180-Degree Keystone Jack
- GLUC80-6ACB Cat.6A 180-Degree Keystone Jack with dust cover
- GLUC80-6ACD Cat.6A 180-Degree Keystone Jack with shutter cover



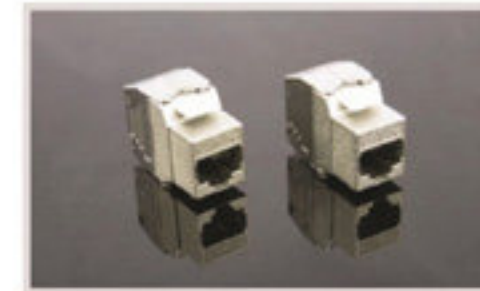
Cat.6A 180-Degree Aussie Type Keystone Jack

GLUC80-6ACC Cat.6A 180-Degree Aussie type keystone jack

1. ANSI/TIA-568.C-2 Cat.6A Channel & Permanent link (85m & 15m short link) transmission and Alien Crosstalk (AXT) requirements. Tested with independent 3rd party approved Cat.6 patch cords and Horizontal cable.
2. 50 Micro-inch gold plating on contact pins
3. UL listed
4. RoHS compliant
5. Available in eight colors

Shielded Connectors

Shielded (Diecast) Data Connector Series offers 90-Degree, 180-Degree and Inline coupler versions with Cat.6A, Cat.6 and Cat.5e performances. Keystone jacks are provided with Tool-free and Punch down two types for option



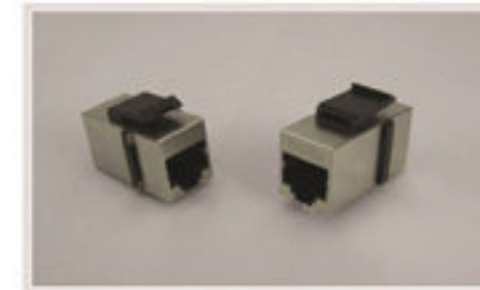
Shielded Cat.5e 180-Degree Tool-less Keystone Jack

GLSC80-5ET Shielded Cat.5e 180-Degree Tool-less keystone jack



Shielded Cat.5e 180-Degree Keystone Jack

- GLSC80-5EA Shielded Cat.5e 180-Degree Keystone jack
- GLSC80-5EB Shielded Cat.5e 180-Degree Keystone jack with dust cover



Shielded Cat.5e Inline Coupler

GLSC20-5EA Shielded Cat.5e Inline coupler

1. Meets ANSI/TIA-568-C.2 and ISO/IEC 11801 (Amendment 2) for Cat.5e requirements.
2. Keystone jacks are Cat.5e connecting hardware performance
3. 50 Micro-inch gold plating on contact pins
4. RoHS complaints
5. UL Listed



Shielded Cat.6 180-Degree Tool-less Keystone jack

GLSC80-6CT Shielded Cat.6 180-Degree Tool-less Keystone jack



UTP & Shielded Connectors



Shielded Cat.6 180-Degree Keystone Jack

- GLSC80-6CA Shielded Cat.6 180-Degree Keystone jack
- GLSC80-6CB Shielded Cat.6 180-Degree Keystone jack with dust cover



Shielded Cat.6 Inline Coupler

- GLSC20-6CA Shielded Cat.6 Inline coupler

- 1. Meets ANSI/TIA-568-C.2 Cat.6 and ISO 11801 Class E Channel and Permanent link (85m and 15m short link) transmission requirements. Tested with Independent 3rd party approved Shielded Cat.6 patch cords and Horizontal cable
- 2. 50 Micro-Inch gold plating on contact pins
- 3. RoHS Compliant
- 4. UL listed



Shielded Cat.6A Short-body 180-Degree Tool-less Keystone Jack (Connecting Hardware Rated)

- GLSC80-6ACT -A Shielded Cat.6A 180-Degree Keystone jack short-body
- GLSC80-6ACT -B Shielded Cat.6A 180-Degree Keystone jack short-body with dust cover



Shielded Cat.6A 180-Degree Tool-less Keystone Jack

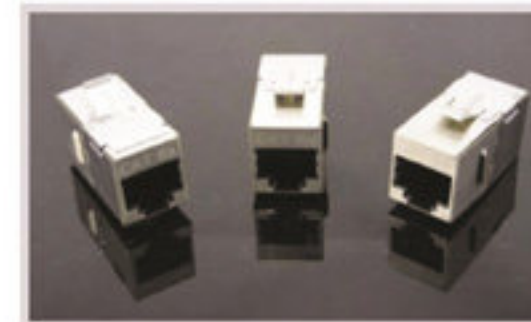
- GLSC80-6ACT Shielded Cat.6A 180-Degree Tool-less Keystone jack



Shielded Cat.6A 180-Degree Keystone Jack

- GLSC80-6ACA Shielded Cat.6A 180-Degree Keystone jack
- GLSC80-6ACB Shielded Cat.6A 180-Degree Keystone jack with dust cover

UTP & Shielded Connectors



Shielded Cat.6A Inline Coupler

- GLSC20-6ACA Shielded Cat.6A Inline coupler

- 1. Meets ANSI/TIA-568-C.2 Cat.6A Channel and Permanent link (85m and 15m short link) transmission and Alien Crosstalk (AXT) requirements. Tested with Independent 3rd party approved Shielded. Cat.6A patch cords and Horizontal cable
- 2. Meets ISO 11801 Class EA Channel requirement
- 3. 50 Micro-Inch gold plating on contact pins
- 4. RoHS Compliant
- 5. UL Listed



UTP & Shielded Patch Panels



Fumo Telecom UTP and Shielded Patch panels have two styles of face design, The Universal Metal style and Plastic fascia style. Both styles offer Cat.6A, Cat.6 and Cat.5e performance levels. Patch panels comply with industry standard like ANSI/TIA-568-C.2, ISO-11801, ANSI/TIA-1096-A (Pre-FCC Part 68), UL safety requirements as well as RoHS.

UTP Patch Panels

UTP Patch Panels are designed in two versions, The Six-Port RJ45 module adapter type version and Snap-in (Loaded with connectors) version. Both versions are offered metal universal fascia and Plastic fascia for cosmetic selection. The Snap-in version panel is designed to mounted with 24 pcs of 180-Degree keystone jacks, Inline coupler or Audio/Video connector for variety of configuration demand in cabling. The rear cable management bar is option when ordering.



Cat.5e 24-Port Patch Panel

- GLUPM-5E24A Cat.5e 24-Port Universal type Patch panel
- GLUPM-5E24B Cat.5e 24-Port Plastic Fascia Patch panel



Cat.5e 24-Port Snap-in Tyep Patch Panel

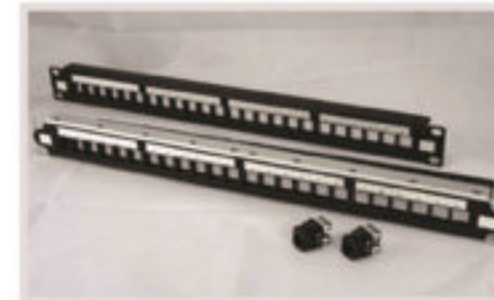
- GLUPL-5E24A Cat.5e 24-Port Snap-in tyep, metal patch panel (Included 24 pcs of UC80-5EA)
- GLUPL-5E24B Cat.5e 24-Port Snap-in tyep, Plastic fascia patch panel (Included 24 pcs of UC80-5EA)

1. Meets ANSI/TIA-586-C.2 and ISO/IEC 11801 (Amendment 2) requirements for Cat.5e component rated performance
2. 50 Micro-Inch gold plating on contact pins
3. UL listed connector
4. ROHS complaints



Cat.6 24-Port Patch Panel

- GLUPM-6C24A Cat.6 24-Port Universal type Patch panel
- GLUPM-6C24B Cat.6 24-Port Plastic Fascia Patch panel



Cat.6 24-Port Snap-in Patch Panel

- GLUPL-6C24A Cat.6 24-Port Snap-in type, Patch panel (Included 24 pcs of UC80-6CA)
- GLUPL-6C24B Cat.6 24-Port Snap-in type, Plastic fascia Patch panel (Included 24 pcs of UC80-6CA)
- GLUPL-6H24A Cat.6 Connecting Hardware rated, 24-Port Snap-in type Patch panel (Included 24 pcs of UC80-6HA)
- GLUPL-6H24B Cat.6 Connecting Hardware rated, 24-Port Snap-in tyep Plastic fascia Patch panel (Included 24 pcs of UC80-6HA)



Cat.6 48-Port Patch Panel

- GLUPL-6C48B Cat.6 Channel level, 48-Port snap-in Patch panel (Included 24 pcs of UC80-6CA)

1. Meets ANSI/TIA-568-C.2 Cat.6 and ISO 11801 Class E Channel and Permanent link (85m and 15m short link) transmission requirements. Tested with independent 3rd party approved Cat.6 patch cords and Horizontal cable.
2. 50 Micro-Inch gold plating on contact pins
3. UL listed connector
4. RoHS compliant



Shielded Patch Panels

Shielded Patch Panel is offered in Snap-in (Loaded with connectors) type and available with Metal universal fascia and Plastic fascia styles. They are designed to be mounted with 24 pcs of our Shielded 180-Degree keystone jacks or Inline coupler as a patch panel. The rear cable management bar is option when ordering.

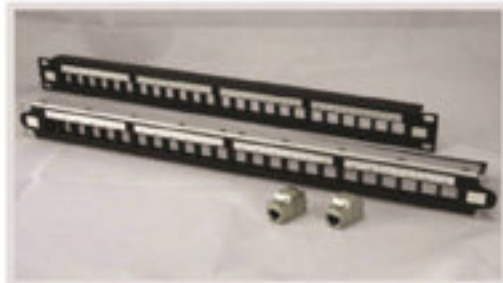


Cat.5e 24-Port Snap-in Type Patch Panel with Plastic Fascia

GLSPL-5E24BP
Cat.5e 24-Port Snap-in type Patch panel with Plastic fascia (Included 24 pcs of SC80-5EA punch down type Jacks)

GLSPL-5E24BT
Cat.5e 24-Port Snap-in type Patch panel with Plastic fascia (Included 24 pcs of SC80-5ET Tool-Free Jacks)

1. Meets ANSI/TIA-568-C.2 and ISO/IEC 11801 requirements for Cat.5e component rated performance
2. 50 Micro-Inch gold plating on contact pins
3. UL listed
4. ROHS complaints

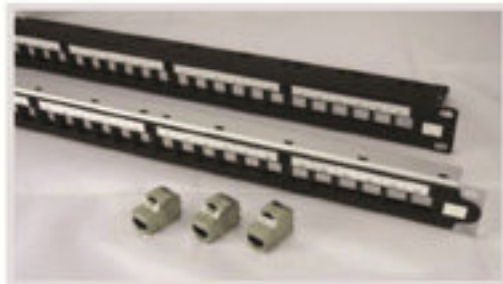


Cat.6 24-Port Snap-in Type Patch Panel with Plastic Fascia

GLSPL-6C24BP
Cat.6 Channel rated 24-Port Snap-in type Patch panel with Plastic fascia (Included 24 pcs of SC80-6CA, Punch down type Jacks)

GLSPL-6C24BT
Cat.6 Channel rated 24-Port Snap-in type Patch panel with Plastic fascia (Included 24 pcs of SC80-6CT, Tool-Free Jacks)

1. Meets ANSI/TIA-568-C.2 and ISO/IEC11801 Cat.6 Channel and Permanent link (85m and 15m short link) transmission requirements. Tested with 3rd party approved Cat.6 patch cords and Horizontal cable
2. 50 Micro-Inch gold plating on contact pins
3. RoHS complaints



Cat.6A 24-Port Snap-in Type Patch Panel with Plastic Fascia

GLSPL-6AC24BP
Cat.6A Channel rated 24-Port Snap-in type Patch panel with Plastic fascia (Included 24 pcs of SC80-6ACA, Punch down type Jacks)

GLSPL-6AC24BT
Cat.6A Channel rated 24-Port Snap-in type Patch panel with Plastic fascia (Included 24 pcs of SC80-6ACT, Tool-Free Jacks)

1. Meets ANSI/TIA-568.C-2 Cat.6A Channel & Permanent link (85m & 15m short link) transmission and Alien Crosstalk (AXT) requirements. Tested with independent 3rd party approved Cat.6 patch cords and Horizontal cable.
2. 50 Micro-Inch gold plating on contact pins
3. RoHS compliant

Wallplates & Surface Mount Boxes



Wallplates are available in Plastic and Stainless types. The plastic Single-Gang standard wallplate is designed to with and without ID window two styles. and available in 1-, 2-, 3-, 4- or 6-Port versions and allow for mounting any combination of our keystone jacks and multimedia modules.

Wall Plates



Standard Single-Gang Keystone Wallplate

GLAFP-A01	Standard Single-Gang Keystone Wallplate, 1-Port
GLAFP-A02	Standard Single-Gang Keystone Wallplate, 2-Port
GLAFP-A03	Standard Single-Gang Keystone Wallplate, 3-Port
GLAFP-A04	Standard Single-Gang Keystone Wallplate, 4-Port
GLAFP-A06	Standard Single-Gang Keystone Wallplate, 6-Port



Standard Single-Gang Keystone Wallplate with ID Windows

GLAFP-B01	Standard Single-Gang Keystone Wallplate with ID windows, 1-Port
GLAFP-B02	Standard Single-Gang Keystone Wallplate with ID windows, 2-Port
GLAFP-B03	Standard Single-Gang Keystone Wallplate with ID windows, 3-Port
GLAFP-B04	Standard Single-Gang Keystone Wallplate with ID windows, 4-Port
GLAFP-B06	Standard Single-Gang Keystone Wallplate with ID windows, 6-Port

Wallplates and Surface Mount Boxes



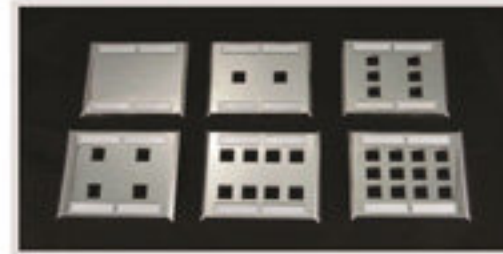
Single-Gang Stainless Steel Wallplate

GLAFP-S00	Single-Gang Stainless Steel Wallplate, 0-Port
GLAFP-S01	Single-Gang Stainless Steel Wallplate, 1-Port
GLAFP-S02	Single-Gang Stainless Steel Wallplate, 2-Port
GLAFP-S03	Single-Gang Stainless Steel Wallplate, 3-Port
GLAFP-S04	Single-Gang Stainless Steel Wallplate, 4-Port
GLAFP-S06	Single-Gang Stainless Steel Wallplate, 6-Port



Single-Gang Angled Stainless Steel Wallplate

GLAFP-S02	Single-Gang Angled Stainless Steel Wallplate, 2-Port
GLAFP-S08	Single-Gang Angled Stainless Steel Wallplate, 4-Port



Dual-Gang Stainless Steel Wallplate

GLAFP-SD00	Dual-Gang Stainless Steel Wallplate, 0-Port
GLAFP-SD02	Dual-Gang Stainless Steel Wallplate, 2-Port
GLAFP-SD04	Dual-Gang Stainless Steel Wallplate, 4-Port
GLAFP-SD06	Dual-Gang Stainless Steel Wallplate, 6-Port
GLAFP-SD08	Dual-Gang Stainless Steel Wallplate, 8-Port
GLAFP-SD012	Dual-Gang Stainless Steel Wallplate, 12-Port

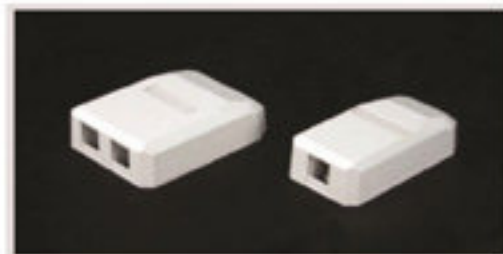


Dual-Gang Angled Stainless Steel Wallplate

GLAFP-SDA4	Dual-Gang Angled Stainless Steel Wallplate, 4-Port
GLAFP-SDA8	Dual-Gang Angled Stainless Steel Wallplate, 8-Port

Surface Mount Boxes

Surface mount boxes are available in 1- and 2-Port versions and allow for mounting with our keystone jacks



GLBXJ-A01	Surface Mount Box, without ID window, 1-Port
GLBXJ-A02	Surface Mount Box, without ID window, 2-Port
GLBXJ-B01	Surface Mount Box, with ID window, 1-Port
GLBXJ-B01	Surface Mount Box, with ID window, 2-Port

Patch Cords, Horizontal Lan Cables & Cable Assemblies

Patch Cords, Horizontal Lan Cables & Cable Assemblies



Cable assemblies support the connection of data center, telcom room and work station. Products included Patch Cords, Pre-terminated truck cable, 25 telco cable assemblies and Horizontal bulk cable that available in Raiser, LSZH or Plenum cables. Our UTP and Shielded Cat.6A, Cat.6 and Cat.5e patch cords are assembled with 50 micro inches of gold plated plugs and are connecting hardware rated performance.

Horizontal Lan Cables & Cable Assemblies

UTP Horizontal Lan Cable, Easy-Pull-Box, 305m

Our UTP and Shielded Cat.6A, Cat.6 and Cat.5e solid LAN cables meet ANSI/TIA-568-C.2, ISO, IEC and UL etc. requirements and are available in variety of colors and supplied in easy-pull-out Box of 305 meters. Cable offers in Riser, Plenum or LSZH versions



UTP Cat.5e, Cat.6, Cat.6A 305m Bulk Cables

GL-UHB-5EH-V	UTP Cat.5e 305m Bulk cable, PVC cable
GL-UHB-5EH-Z	UTP Cat.5e 305m Bulk cable, LSZH cable
GL-UHB-5EH-P	UTP Cat.5e 305m Bulk cable, Plenum cable
GL-UHB-6H-V	UTP Cat.6 305m Bulk cable, PVC cable
GL-UHB-6H-Z	UTP Cat.6 305m Bulk cable, LSZH cable
GL-UHB-6H-P	UTP Cat.6 305m Bulk cable, Plenum cable
GL-UHB-6AH-V	UTP Cat.6A 305m Bulk cable, PVC cable
GL-UHB-6AH-Z	UTP Cat.6A 305m Bulk cable, LSZH cable
GL-UHB-6AH-P	UTP Cat.6A 305m Bulk cable, Plenum cable

1. Meets TIA/EIA-568-C.2 requirements for Cat.5e, Cat.6 or Cat.6A specifications
2. Available in Raiser, LSZH or Plenum Cable

UTP Pre-Terminated Trunk Cable

UTP and Shielded Cat.6A, Cat.6 and Cat.5e Pre-terminated Trunk Cables are for fast installation and cost saving. Cables are made by customer pre-ordered configured length and three connector types, Jack-to-Jack, Jack-to-Plug or Plug-to-Plug. Cables are available in Plenum, LSZH and Riser cables



GL-UTC-5EJJ	UTP Cat.5e Pre-terminated Trunk cable, Jack to Jack
GL-UTC-5EJP	UTP Cat.5e Pre-terminated Trunk cable, Jack to Plug
GL-UTC-5EPP	UTP Cat.5e Pre-terminated Trunk cable, Plug to Plug
GL-UTC-6CJJ	UTP Cat.6 Pre-terminated Trunk cable, Jack to Jack
GL-UTC-6CJP	UTP Cat.6 Pre-terminated Trunk cable, Jack to Plug
GL-UTC-6CPP	UTP Cat.6 Pre-terminated Trunk cable, Plug to Plug
GL-UTC-6ACJJ	UTP Cat.6A Pre-terminated Trunk cable, Jack to Jack
GL-UTC-6ACJP	UTP Cat.6A Pre-terminated Trunk cable, Jack to Plug
GL-UTC-6ACPP	UTP Cat.6A Pre-terminated Trunk cable, Plug to Plug

1. Meets TIA/EIA-568-C.2 requirements for Cat.5e, Cat.6 or Cat.6A permanent link specifications
2. Available in Raiser, LSZH or Plenum Cable

Horizontal Lan Cables & Cable Assemblies

Telco Cable Assemblies



Telco cable is available in Riser or Plenum jacket versions. The assemblies provide with Both ends female or male, Single End female or male and Both ends female and male configurations. Telco connector are available in 90- or 180-Degree style for option.

Cat.3, Cat.5e 25-Pair Telco Cable Assembly

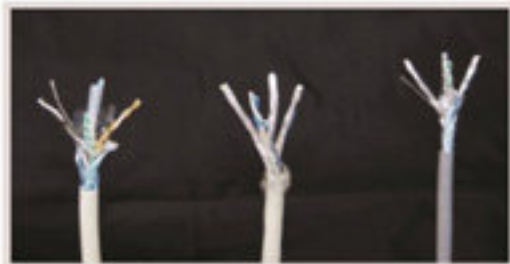
GL-T25-C3FF90	Cat.3 25-Pair cable assembly, Two 90-d Female connectors
GL-T25-C3FB90	Cat.3 25-Pair cable assembly, One 90-d Female connectors and one end open
GL-T25-C3FM90	Cat.3 25-Pair cable assembly, One 90-d Female connectors and one Male 90-d connector
GL-T25-C3MM90	Cat.3 25-Pair cable assembly, Two 90-d Male connectors
GL-T25-C3MB90	Cat.3 25-Pair cable assembly, One 90-d Male connectors and one end open
GL-T25-C3MM80	Cat.3 25-Pair cable assembly, Two 180-d Male connectors
GL-T25-C3MB80	Cat.3 25-Pair cable assembly, One 180-d Male connectors and one end open
GL-T25-C5FF90	Cat.5e 25-Pair cable assembly, Two 90-d Female connectors
GL-T25-C5FB90	Cat.5e 25-Pair cable assembly, One 90-d Female connectors and one end open
GL-T25-C5FM90	Cat.5e 25-Pair cable assembly, One 90-d Female connectors and one Male 90-d connector
GL-T25-C5MM90	Cat.5e 25-Pair cable assembly, Two 90-d Male connectors
GL-T25-C5MB90	Cat.5e 25-Pair cable assembly, One 90-d Male connectors and one end open
GL-T25-C5MM80	Cat.5e 25-Pair cable assembly, Two 180-d Male connectors
GL-T25-C5MB80	Cat.5e 25-Pair cable assembly, One 180-d Male connectors and one end open



Horizontal Lan Cables & Cable Assemblies

Shielded Horizontal Lan Cables, Easy-Pull-Box, 305m

Our UTP and Shielded Cat.6A, Cat.6 and Cat.5e solid LAN cables meet ANSI/TIA-568-C.2 , ISO, IEC and UL etc. requirements and are available in variety of colors and supplied in easy-pull-out Box of 305 meters. Cable offers in Raiser, Plenum or LSZH versions,



UTP Cat.5e, Cat.6, Cat.6A 305m Bulk Cable

GL-SSHB-5EH-V	Shielded Cat.5e 305m Bulk cable, PVC cable
GL-SHB-5EH-Z	Shielded Cat.5e 305m Bulk cable, LSZH cable
GL-SHB-5EH-P	Shielded Cat.5e 305m Bulk cable, Plenum cable
GL-SHB-6H-V	Shielded Cat.6 305m Bulk cable, PVC cable
GL-SHB-6H-Z	Shielded Cat.6 305m Bulk cable, LSZH cable
GL-SHB-6H-P	Shielded Cat.6 305m Bulk cable, Plenum cable
GL-SHB-6AH-V	Shielded Cat.6A 305m Bulk cable, PVC cable
GL-SHB-6AH-Z	Shielded Cat.6A 305m Bulk cable, LSZH cable
GL-SHB-6AH-P	Shielded Cat.6A 305m Bulk cable, Plenum cable

1. Meets TIA/EIA-568-C.2 requirements for Cat.5e, Cat.6 or Cat.6A specifications
2. Available in Raiser, LSZH or Plenum Cable

Shielded Pre-Terminated Trunk Cable

UTP and Shielded Cat.6A, Cat.6 and Cat.5e Pre-terminated Trunk Cables are for fast installation and cost saving. Cables are made by customer pre-ordered configured length and three connector types, Jack-to-Jack, Jack-to-Plug or Plug-to-Plug. Cables are available in Plenum, LSZH and Raiser cables



Shielded Pre-Terminated Trunk Cable

GL-STC-5EJJ	Shielded Cat.5e Pre-terminated Trunk cable, Jack to Jack
GL-STC-5EJP	Shielded Cat.5e Pre-terminated Trunk cable, Jack to Plug
GL-STC-5EPP	Shielded Cat.5e Pre-terminated Trunk cable, Plug to Plug
GL-STC-6CJJ	Shielded Cat.6 Pre-terminated Trunk cable, Jack to Jack
GL-STC-6CJP	Shielded Cat.6 Pre-terminated Trunk cable, Jack to Plug
GL-STC-6CPP	Shielded Cat.6 Pre-terminated Trunk cable, Plug to Plug
GL-STC-6ACJJ	Shielded Cat.6A Pre-terminated Trunk cable, Jack to Jack
GL-STC-6ACJP	Shielded Cat.6A Pre-terminated Trunk cable, Jack to Plug
GL-STC-6ACPP	Shielded Cat.6A Pre-terminated Trunk cable, Plug to Plug

1. Meets TIA/EIA-568-C.2 requirements for Cat.5e, Cat.6 or Cat.6A permanent link specifications
2. Available in Raiser, LSZH or Plenum Cable



Cable Management & Wall Mount

Cable Management & Wall Mount



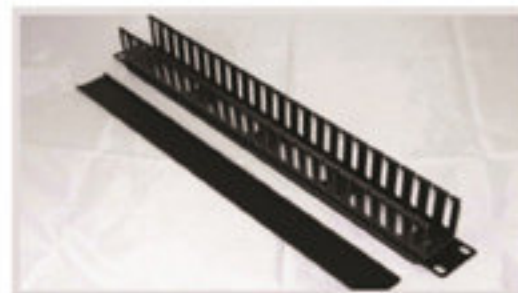
Variety of horizontal cable management products are designed to the organization of patch cords overall network management

Cable Management

Variety of horizontal cable management products are designed to the organization of patch cords overall network management



GL-CMH-1UT01
1U 19" Horizontal Cable Management
(Metal Frame Depth : 43mm)



GL-CMH-1UP01
1U 19" Horizontal Cable Management
(Metal Frame Depth : 43mm)

Cable Management & Wall Mount



GL-CMH-1UT02
1U 19" Horizontal Cable Management
(Metal Frame Depth : 65mm)



GL-CMH-1UP02
1U 19" Horizontal Cable Management
(Metal Frame Depth : 65mm)



GL-CMH-1UT03
1U 19" Horizontal Cable Management
(Metal Finger-Canal w/h Metal Cover)



GL-CMH-1UP03
1U 19" Horizontal Cable Management
(Metal Finger-Canal w/h Metal Cover)



GL-CMH-2UT01
2U 19" Horizontal Cable Management
(Metal Frame depth : 43mm)



GL-CMH-2UP01
2U 19" Horizontal Cable Management
(Metal Frame depth : 43mm)



Hinged Wall Mount Brackets

Hinged Wall Mount Brackets are available in 1U, 2U, 3U, 4U, 5U, 6U, 7U and 8U for variety of network management demand



GL-WMK-1UF
1U Hinged wall mount bracket (Depth 12.5")



GL-WMK-2UF
2U Hinged wall mount bracket (Depth 12.5")

GL-WMK-3UF
3U Hinged wall mount bracket (Depth 12.5")



GL-WMK-5UF
5U Hinged wall mount bracket (Depth 12.5")

GL-WMK-6UF
6U Hinged wall mount bracket (Depth 12.5")

GL-WMK-7UF
7U Hinged wall mount bracket (Depth 12.5")

GL-WMK-8UF
8U Hinged wall mount bracket (Depth 12.5")



GL-CMH-2UT01 2U 19" Horizontal Cable Management
(Metal Frame depth : 43mm)

Tools & Accessories



Fumo Telecom offers various tools for termination of network cabling, audio and video connectors. Including 4-pair termination tool, Impact punch down tool, Crimping tool, Cable stripper and cutter tool and Compression tools for installation option and convenience.

Termination Tools

The 4-pair termination tool is designed to use with all Rision's UTP and Shielded punch down type keystone jacks. They allow to terminate 8 wires to connector with a single push on handle for saving installation time



4-Pair Termination Tool

- GL-RPT-UC90A 4-Pair Termination Tool (Use with 90D jacks)
- GL-RPT-UC80A 4-Pair Termination Tool (Use with 180D jacks)

Compression Crimping Tool, Impact Tool and Cable Stripper Tools



GL-PDS-A01 Impact & Punch down tool for 110/86



GL-ECO-A01 Economy Stripper tool



GL-ECO-A02 Economy Stripper tool, Two-in-one type



GL-CTF-A01 Cable Tie Fastening Tool



GL-ECO-A03 Multi-Function Cable stripper tool (For LAN cable 18~24 awg)

It is designed to cut and strip cables efficiently and easy to carry and available in using with Coaxial cables and Lan cables



GL-MCT-AV01 Multi-function Compression Crimping Tool

For termination of RCA (included Right-angled), BNC connectors and F-connectors.

Accessories



GL-CBT-A01 Cable bundle palm tool for C6A cables



GL-CBT-A02 Cable bundle palm tool for Cat.6 & Cat.5e cables



Fiber Solutions

Light Line

04

WWW.FUMOTELECOM.DE



Active Optical Cables

40G QSFP+ to 8 LC Breakout Active Optical Cable, 10M

Code N.: FT AOC-QSFP+-8LC-10



This product is a high data rate parallel active optical cable (AOC), to overcome the bandwidth limitation of traditional copper cable. The AOC offers 4 independent data transmission channels and 4 data receiving channels via the multimode ribbon fibers, each capable of 10Gbps operation. Consequently, an aggregate data rate of 40Gbps over 100 meters transmission can be achieved by this product, to support the ultra-fast computing data exchange.

Applications:

- Infiniband transmission at 4ch SDR(2.5Gbit/s), DDR(5Gbit/s) and QDR(10Gbit/s)
- Multi-channel 10Gb Ethernet transmission up to 4 channels
- Fiber Channel transmission at 8.5Gbit/s per channel, up to 4 channels
- QSFP+ to LC cables with MT connectors for plugging into existing cable runs or patch pannels
- Creating a breakout cable with four Duplex LC connectors for port expander applications
- SDR / DDR / QDR

Active Optical Cables

56G QSFP+ to QSFP+ FDR Active Optical Cable, 30M

Code N.: FT AOC-56GQSFP-30



Fumo Telecom SFP+ Active Optical Cables are hot-swappable, low-voltage cable assemblies that connect directly into SFP+ modules at both ends. These cables use a 20-position connector with active circuitry to increase distances and to improve EMI and reduce signal loss.

Applications:

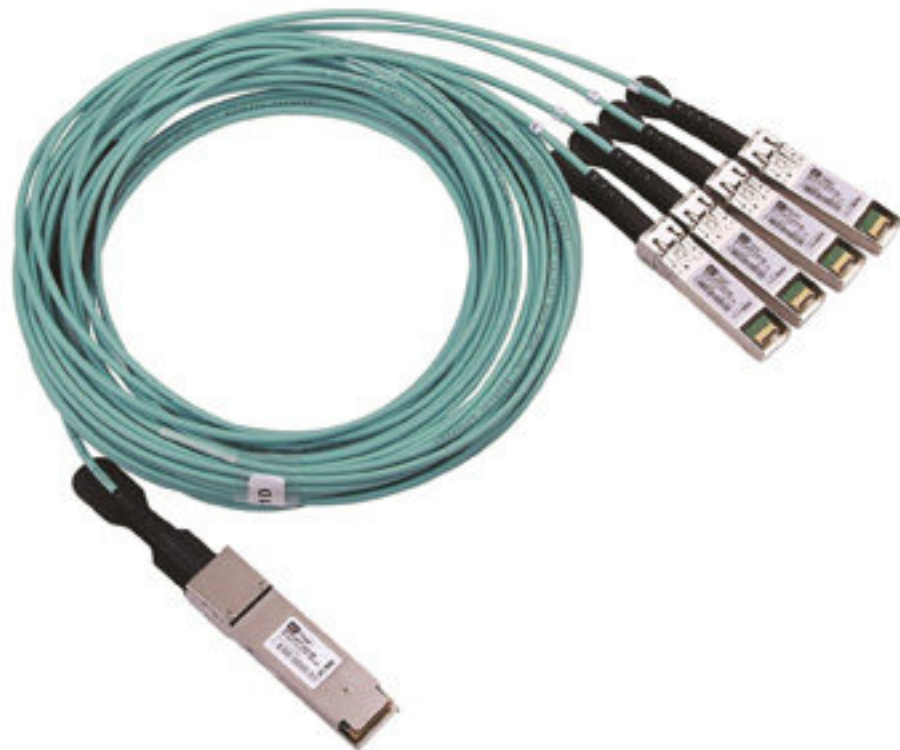
- InfiniBand FDR
- 16G Fiber Channel
- SAS 3.0
- High performance computing interconnect
- Datacom and Telecom switch or router backplane connection
- Inquiry Form
- Choose Product *



Active Optical Cables

40G QSFP+ to 4 10G SFP+ Active Optical Cable, 10M

Code N.: FT AOC-QSFP+-10G4SFP+-10



Fumo Telecom QSFP+ to 4x SFP+ breakout Active Optical Cable offers IT professionals a cost-effective interconnect solution for merging 40G QSFP and 10G SFP+ enabled host adapters, switches and servers. A side is a QSFP+ optical connector, B side is 4 SFP+ optical connectors.

Applications:

- 40 Gigabit Ethernet
- Fibre Channel Applications
- InfiniBand QDR, SDR, DDR
- High-performance computing clusters
- Servers, switches, storage and host card adapters

Active Optical Cables

10G SFP+ to SFP+ Active Optical Cable, 10M

Code N.: FT AOC-10GSFP-10



10G SFP+ to SFP+ Active Optical Cable, 10M

Fumo Telecom SFP+ Active Optical Cables are hot-swappable, low-voltage cable assemblies that connect directly into SFP+ modules at both ends. These cables use a 20-position connector with active circuitry to increase distances and to improve EMI and reduce signal loss.

Applications:

- 10 Gigabit Ethernet
- 4G and 8G Fibre Channel Applications
- 1x InfiniBand QDR. DDR, SDR
- High-performance computing clusters
- Servers, switches, storage and host card adapters



Armored - Singlemode 9/125 OS1 & OS2

Code N.: LLCAU9+

General standards

General: UniLooseTube cable, outdoor, PE, metallic armouring, two steel wires, singlemode —
Corrugated steel tape armouring PE sheath
Standards: EN 50173-1:2002, cat. OS1/OS2 - ISO/IEC 11801:2002 2nd ed., cat. OS1/OS2 - IEEE 802.3-2002

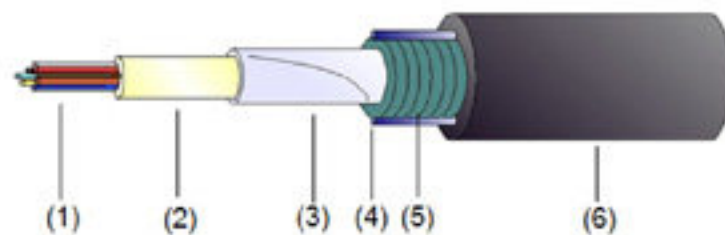


Application

Developed to be the ultimate option of the central-loose-tube outdoor cables family, featuring a metallic armouring. The plastic core with a jelly-filled helical coated channel, Spiral Space® design, contains up to 24 fibers, wrapped longitudinally with swelling tape, followed by an overlapping corrugated steel tape, and finally coated by a PE outer-sheath with two high tensile strength steel wires. Suitable for duct or direct burial installations. Also for arctic climate when the soil around the cable can be frozen; extra high crush strength.

CABLE DIAGRAMM CONSTRUCTION

- 1 – Optical Fibers: up to 24 x 9/125µm colors red, green, blue, yellow, white, grey, brown, violet, turquoise, black, orange, pink, (>12-fo colored synthetic binder)
- 2 – Central Plastic core (Jelly-Filled):
Diameter: 5,0mm (nominal)
Thickness: 0,5mm – 0,7mm (nominal)
Color: white
- 3 – Wrapping: swelling tape material
- 4 – Corrugated Steel Tape:
Thickness: 0,155mm (nominal)
Overlap: 3,0mm (nominal)
- 5 – Strength Members:
Material: steel wires
Diameter: 1,4mm (nominal) Diameter: 11,7mm (nominal)
- 6 – Outer Sheath:
Material: PE (Polyethylene) black
Thickness: 2,4mm (nominal)
Diameter: up to 11,7mm (nominal) according to fibers count



MECHANICAL PERFORMANCE - CABLE

Features			Test Method
WEIGHT	kg/km	175	IEC 60794-1-F1
TEMPERATURE RANGE	°C	-10 up to + 60	IEC 60794-1-E11
BENDING RADIUS	mm	oper.: 240 / inst.: 270	IEC 60794-1-E1
TENSILE STRENGTH	N	oper.: 3500 / inst.: 5000	IEC 60794-1-E3
CRUSH RESISTANCE	N/10cm	4000	IEC 60794-1-E3
IMPACT RESISTANCE	Nm	25	IEC 60794-1-E4

OPTICAL PERFORMANCE – FIBERS (acc. to ITU-T G.652.D, IEC60793-2-50 Cat. B1.3, EN60793-2-50 Class B1.3)

Item	Singlemode (ITU-T G.652.D)		Test Method
CORE DIAMETER	µm	9,2 ± 0,4	IEC 60793-1-45
CLADDING DIAMETER	µm	125 ± 1	IEC 60793-1-20
CLADDING NON-CIRCULARITY	%	≤1	IEC 60793-1-20
CORE/CLADDING CONCENTR.	µm	≤0,6	IEC 60793-1-20
TYP. ATTENUATION @ 1310-1625nm	dB/km	≤0,93	IEC 60793-2-50
TYP. ATTENUATION @ 1550nm	dB/km	≤0,25	IEC 60793-2-50
CHROM. DISP. @ 1285-1330nm	ps/nm*km	≤3	IEC 60793-1-42
CHROM. DISP. @ 1270-1340nm	ps/nm * km	≤6	IEC 60793-1-42
CHROM. DISPERSION @ 1550nm	ps/nm * km	≤18	IEC 60793-1-42
CUT-OFF WAVELENGTH	λc nm	high: 1330 / low: 1150	IEC 60793-1-44
AVERAGE	λcc nm	≤1260	IEC 60793-1-44
POLARISATION MODE DISP. (PMD)	ps/√km	≤0,5	IEC 60793-1-48
PMDQ LINK DESIGN VALUE	ps/√km	≤0,2	IEC 60794-3
ENTIRE RANGE OF SPEC'S FOR sm FIBER REFER TO	LL-F-003-smD		

— On request, fibers featuring other than the above stated specifications can be quoted —

OTHER CHARACTERISTICS

Wavelength range (nm)	
Fiber requirements	ISO/IEC 11801:2002 cat. OS1/OS2, EN50173-1:2002 cat. OS1/OS2, IEEE 802.3-2003, IEEE 802.3ae
Marking	ww / yyyy LightLine LLCAU9+ no. fo. E9/125 metric
Typical delivery length	4000m ± 300m per drum

Armored – Unitube Multimode 50/125 OM2

Code N.: LLCAU50+

General standards

General: UniLooseTube cable, outdoor ,PVC, metallic armoring, 50µm — Corrugated steel tape armoring PVC-FieBur® sheath

Standards: EN 50173-1:2002, cat. OM2 - ISO/IEC 11801:2002 2nd ed., cat. OM2 - IEEE 802.3-2002



Application

Developed to be the best option of the central-loose-tube in-/outdoor cables family, featuring a metallic armoring. The jelly-filled plastic compound tube contains up to 24 fibers, embedded in a layer of strength members, followed by an overlapping corrugated steel tape, and finally coated by a FireBur®-LSZH outer-sheath. Corrugated steel armoring is considered one of the most secure rodent resistant and water-proof protections in cables.

CABLE DIAGRAMM CONSTRUCTION

1 – Optical Fibers: up to 24 x 50/125µm colors red, green, blue, yellow, white, grey, brown, violet, turquoise, black, orange, pink, (>12-fo colored synthetic binder)

2 – Central Unitube (Jelly-Filled):

Diameter: (12-16-fo) 3mm (nominal)

Jelly-filled: (16 – 24-fo) 3,5mm (nominal)

Color: Black

3 – Wrapping: swelling tape material

4 – Corrugated Steel Tape:

Thickness: 1.2mm * 2 (nominal)

5 – Strength Members:

Material: steel wires

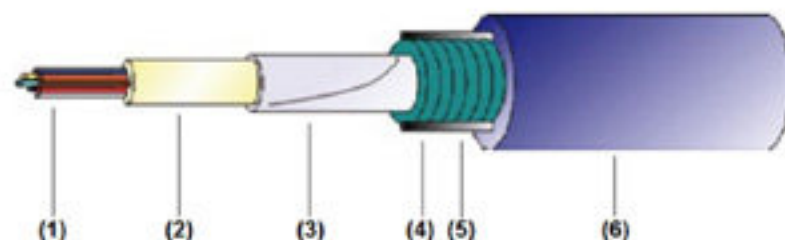
Diameter: 1,57mm (nominal)

6 – Outer Sheath:

Material: FireBur®-PVC Black

Diameter: (12- 16-fo) 9,5mm (nominal)

Diameter: (16 -24-fo) 10,5 mm (nominal)



MECHANICAL PERFORMANCE - CABLE

Features			Test Method
WEIGHT	kg/km	2 - 16fibers: 75 / 18 - 24 fibers: 85	-
TEMPERATURE RANGE	°C	oper.: -40 up to +70 / inst.: -40 up to +70	IEC 60794-1-F1
BENDING RADIUS	mm	55	IEC 60794-1-E11
TENSILE STRENGTH	N	oper.: 500 / inst.: 1000	IEC 60794-1-E1
CRUSH RESISTANCE	N/10cm	2000	IEC 60794-1-E3
IMPACT RESISTANCE	Nm	10	IEC 60794-1-E4

OPTICAL PERFORMANCE – FIBERS (acc. to ITU-T G.651, IEC60793-2-10 Cat. A1a, EN60793-2-10 Class A1a)

Item			Test Method
CORE DIAMETER	µm	50 ±2,5	IEC 60793-1-20
CLADDING DIAMETER	µm	125 ± 2	IEC 60793-1-20
CLADDING NON-CIRCULARITY	%	≤1,0	IEC 60793-1-20
CORE NON-CIRCULARITY	%	≤6,0	IEC 60793-1-20
CORE/CLADDING CONCENTR.	µm	≤1,5	IEC 60793-1-20
TYP. ATTENUATION @ 850nm	dB/km	≤2,70	IEC 60793-2-10
TYP. ATTENUATION @ 1300nm	dB/km	≤0,80	IEC 60793-2-10
BANDWIDTH @ 850nm	MHz * km	500	IEC 60793-2-10
BANDWIDTH @ 1300nm	MHz * km	800	IEC 60793-2-10
GROUP INDEX OF REFRACTION	@850nm: 1482 / @1300nm: 1477		
PROOF STRESS LEVEL	GPa	≥ 0,7 (1%)	IEC 60793-2-30
STRIP FORCE (AVERAGE)	N	1,0 ≤ F _{ave.strip} ≤ 5,0	IEC 60793-2-32
STRIP FORCE (PEAK)	N	1,3 ≤ F _{ave.strip} ≤ 8,9	IEC 60793-2-32
ENTIRE RANGE OF SPEC'S FOR 50µm FIBER REFER TO	LL-F-006-50		

— On request, fibers featuring other than the above stated specifications can be quoted —

OTHER CHARACTERISTICS

Wavelength range (nm)		
Fiber requirements	ISO/IEC 11801:2002 cat. OM2, EN50173-1:2002 cat. OM2, IEEE 802.3-2003, IEEE 802.3ae	
Marking	ww / yyyy LightLine LLCAU50+ no. fo. G50/125 metric	
Typical delivery length	3000m ± 200m per drum	

Armored Multimode Cable with two steel wire - OM3

Code N.: LLCAUOM3+

General standards

General: UniLoose Tube cable, outdoor, PE, metallic armoring, two steel wires, 50µm-OM3 — Corrugated steel tape armoring PE sheath

Standards: EN 50173-1:2002, cat. OM3 - ISO/IEC 11801:2002 2nd ed., cat. OM3 - IEEE 802.3-2002



Application

Developed to be the ultimate option of the central-loose-tube outdoor cables family, featuring a metallic armoring. The plastic core with a jelly-filled helical coated channel, Spiral Space® design, contains up to 24 fibers, wrapped longitudinally with swelling tape, followed by an overlapping corrugated steel tape, and finally coated by a PE outer-sheath with two high tensile strength steel wires. Suitable for duct or direct burial installations. Also for arctic climate when the soil around the cable can be frozen; extra high crush strength.

CABLE DIAGRAMM CONSTRUCTION

1 – Optical Fibers: up to 24 x 50/125µm colors red, green, blue, yellow, white, grey, brown, violet, turquoise, black, orange, pink, (>12-fo colored synthetic binder)

2 – Central Plastic core (Jelly-Filled):

Diameter: 5,0mm (nominal)

Thickness: 0,5mm – 0,7mm (nominal)

Color: white

3 – Wrapping: swelling tape material

4 – Corrugated Steel Tape:

Thickness: 0,155mm (nominal)

Overlap: 3,0mm (nominal)

5 – Strength Members:

Material: steel wires

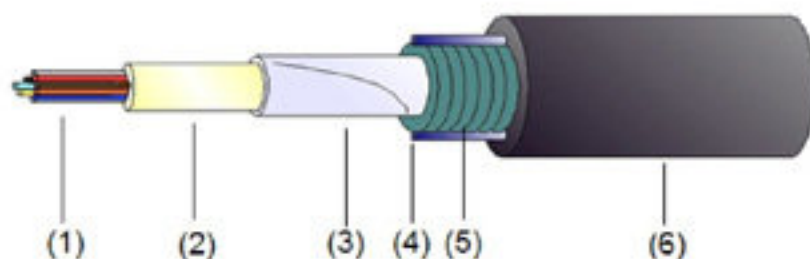
Diameter: 1,57mm (nominal)

6 – Outer Sheath:

Material: PE (Polyethylene) black

Thickness: 2,4mm (nominal)

Diameter: 10,7mm (nominal)



MECHANICAL PERFORMANCE - CABLE

Features	Test Method		
WEIGHT	kg/km	175	-
TEMPERATURE RANGE	°C	-10 up to +60	IEC 60794-1-F1
BENDING RADIUS	mm	oper.: 240 / inst.: 270	IEC 60794-1-E11
TENSILE STRENGTH	N	oper.: 3500 / inst.: 5000	IEC 60794-1-E1
CRUSH RESISTANCE	N/10cm	4000	IEC 60794-1-E3
IMPACT RESISTANCE	Nm	25	IEC 60794-1-E4

OPTICAL PERFORMANCE – FIBERS (acc. to ITU-T G.651, IEC60793-2-10 Cat. A1a, EN60793-2-10 Class A1a)

Item	Singlemode (ITU-T G.652.D)		Test Method
CORE DIAMETER	µm	50 + 2,5	IEC 60793-1-20
CLADDING DIAMETER	µm	125 ± 2	IEC 60793-1-20
CLADDING NON-CIRCULARITY	%	≤1,0	IEC 60793-1-20
CORE NON-CIRCULARITY	%	≤6,0	IEC 60793-1-20
CORE/CLADDING CONCENTR.	µm	≤1,5	IEC 60793-1-20
TYP. ATTENUATION @ 850nm	dB/km	≤3,0	IEC 60793-2-10
TYP. ATTENUATION @ 1300nm	dB/km	≤1,0	IEC 60793-2-10
BANDWIDTH @ 850nm	MHz * km	1500	IEC 60793-2-10
BANDWIDTH @ 1300nm	MHz * km	500	IEC 60793-2-10
EFF. MODAL BANDWIDTH @850 nm	MHz * km	2000	IEC 60793-1-49
PROOF STRESS LEVEL	GPa	≥ 0,7 (1%)	IEC 60793-2-30
STRIP FORCE (AVERAGE)	N	1,0 ≤ F _{ave.strip} ≤ 5,0	IEC 60793-2-32
STRIP FORCE (PEAK)	N	1,3 ≤ F _{ave.strip} ≤ 8,9	IEC 60793-2-32
ENTIRE RANGE OF SPEC'S FOR OM3 FIBER REFER TO	LL-F-008-OM3		

— On request, fibers featuring other than the above stated specifications can be quoted —

OTHER CHARACTERISTICS

Wavelength range (nm)	
Fiber requirements	ISO/IEC 11801:2002 cat. OM3, EN50173-1:2002 cat. OM3, IEEE 802.3-2003, IEEE 802.3ae
Marking	ww / yyyy LightLine LLCAUOM3+ no. fo. G50/125-OM3 metric M by Draka
Typical delivery length	6000m ± 300m per drum

Direct Attach Copper Cables

40G QSFP+ to QSFP+ QDR Direct Attach Copper Cable, 30AWG, Passive, 5M

Code N.: FT DAC-40GQSFP-P05



QSFP+ (Quad Small Form-factor Pluggable Plus) cable assemblies are suitable for very short distances and offer a highly cost-effective way to establish a 40-Gigabit link between QSFP+ ports of QSFP+ switches within racks and across adjacent racks. QSFP+ cables are used for 40 GbE and Infiniband standards, to maximize performance.

Applications:

- 40Gigabit Ethernet (40G BASE – CR4)
- Servers
- Networked & External storage systems
- Data Center networking
- Switches & Routers
- InfiniBand Trade Association (IBTA)
- IEEE802.3ba

Direct Attach Copper Cables

40G QSFP+ to QSFP+ QDR Direct Attach Copper Cable, 24AW, Active, 15M

Code N.: FT DAC-40GQSFP-A15



Active QSFP+ copper cable assemblies use the newest technology to provide a cost effective high data throughput solution. These cables use a 37-position connector with active circuitry to increase distances and to improve EMI and reduce signal loss. Applications include QDR InfiniBand, Fiber Channel, 40-Gigabit Ethernet, and SONET.

Applications:

- 40Gigabit Ethernet (40G BASE – CR4)
- Communications: Switches, Routers, and HBA
- InfiniBand-SDR, DDR, QDR
- Networked storage systems
- Computer cluster cross-connect



Direct Attach Copper Cables

56G QSFP+ to QSFP+ FDR Direct Attach Copper Cable, 30AWG, Passive, 3M

Code N.: FT DAC-40GQSFP-P05



Fumo Telecom 56Gb/s QSFP+ FDR DAC Cable assemblies are constructed using premium 100 OHM cable and feature QSFP+ (SFF-8436) connectors with pull-tab ejectors for easy connection to equipment, support up to 4x14Gb per lane for up to 56Gb, meeting or exceeding current standards specifications.

Applications:

Infiniband SDR/DDR/QDR and FDR interconnects
HPC Interconnects
Networked storage systems
Computer cluster cross-connect

Direct Attach Copper Cables

10G CX4 to CX4 Direct Attach Copper Cable, Latch to Latch, 28AWG, Passive, 5M

Code N.: FT DAC-10GCX4-P05



10GBASE-CX4 is an IEEE specification for 10 Gigabit over coaxial cable, intended to connect servers, switches and storage over short distances of up to 15 metres/50 feet. 10GBASE-CX4 or 802.3ak uses the Infiniband 4X connector to maximize signal strength and can support data transfers of up to 10 Gigabits per second, 10 times as fast as gigabit Ethernet. It combines low cost cables and equipment with high speed for short distance connections.

Applications:

10GBASE-CX4 Applications (up to 15m)
InfiniBand Double Data Rate (DDR) 4x applications (≤3m)
High Speed Network, Server and Storage connections



Fiber Optic Adapters

- Bare Fiber Adapter

FC Round Shape Bare Fiber Adapter Single Mode

Code N.: FT BFCRSM



Fumo Telecom FC Square Shape Bare Fiber Optic Adapter for Splice & Test can link bared optic and light source, testing equipment, light appearance, etc. It is used for test appearance and temporary conjunction between fiber optics extensively (repair fiber optic cable urgently). Square type and round type are both optional.

Applications:

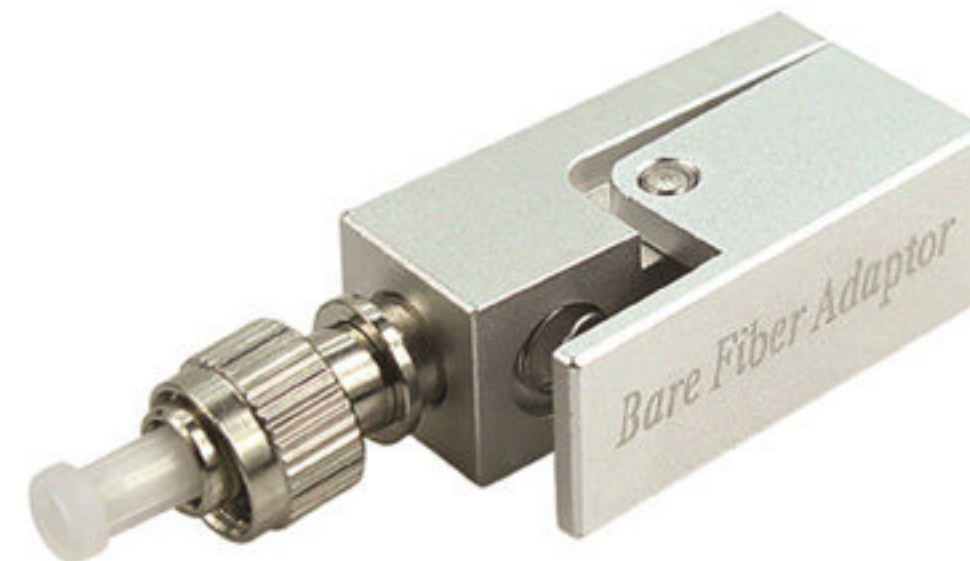
Bare fiber connection
Telecommunication networks
Premise installations
LAN and WAN

Fiber Optic Adapters

- Bare Fiber Adapter

FC Square Shape Bare Fiber Adapter Single Mode

Code N.: FT DAC-10GCX4-P05



Fumo Telecom FC Square Shape Bare Fiber Optic Adapter for Splice & Test can link bared optic and light source, testing equipment, light appearance, etc. It is used for test appearance and temporary conjunction between fiber optics extensively (repair fiber optic cable urgently). Square type and round type are both optional.

Applications:

Bare fiber connection
Telecommunication networks
Premise installations
LAN and WAN

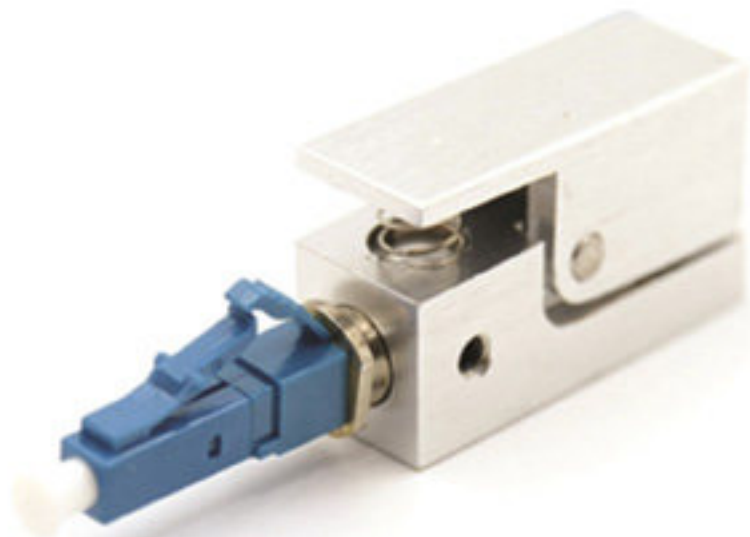


Fiber Optic Adapters

- Bare Fiber Adapter

LC Square Shape Bare Fiber Adapter Single Mode

Code N.: FT BLCSSM



Fumo Telecom's LC Square Shape Bare Fiber Optic Adapter for Splice & Test can link bared optic and light source, testing equipment, light appearance, etc. It is used for test appearance and temporary conjunction between fiber optics extensively (repair fiber optic cable urgently). Square type and round type are both optional.

Applications:

Bare fiber connection
Telecommunication networks
Premise installations
LAN and WAN

Fiber Optic Adapters

- Bare Fiber Adapter

SC Round Shape Bare Fiber Adapter Single Mode

Code N.: FT BSCRSP



Fumo Telecom's SC Square Shape Bare Fiber Optic Adapter for Splice & Test can link bared optic and light source, testing equipment, light appearance, etc. It is used for test appearance and temporary conjunction between fiber optics extensively (repair fiber optic cable urgently). Square type and round type are both optional.

Applications:

Bare fiber connection
Telecommunication networks
Premise installations
LAN and WAN



Fiber Optic Adapters Panel

- 1U 19" Blank Fiber Optic Adapter Panel, SC Simplex Type, 24 Ports

Code N.: FT FAP-BLK-24



Fumo Telecom's 1U 19 inch fiber optic adapter panel fit for most 19" fiber patch panels. Each panel can be ordered fully terminated with adapters and it saves valuable installation time and labor expenses. We can also customize your logo onto the panel body or any other applications.

Features:

- 19 inch rack mountable
- Suitable for 24 port of SC simplex or LC duplex adapters
- Black power coating
- Easy to use and install

Fiber Optic Adapters Panel

- Bare Fiber Adapter

Code N.: FT FAP-LCD24L3



Fumo Telecom's 1U 19 inch fiber optic adapter panel fit for most 19" fiber patch panels. Each panel can be ordered fully terminated with adapters and it saves valuable installation time and labor expenses. We can also customize your logo onto the panel body or any other applications.

Features:

- 19 inch rack mountable
- Loaded with 24 LC duplex OM3 multimode adapters
- Black power coating
- Easy to use and install



Fiber Optic Attenuators

- LC Plug-in Fixed Attenuator, Single Mode 10dB

Code N.: FT AT-LCFSM10



Fiber optic attenuators are used in the fiber optic communications to reduce the optical fiber power at a certain level, the most commonly used type is female to male plug type fiber optic attenuator, it has the optical fiber connector at one side and the other side is a female type fiber optic adapter.

Features:

- Low back reflection
- Wide wavelength range
- Polarization insensitive
- Compact and rugged housings

Applications:

- Low back reflection
- Wide wavelength range
- Polarization insensitive
- Compact and rugged housings
- Wide range of connectors/receptacles

Fiber Optic Attenuators

- FC Plug-in Fixed Attenuator, Single Mode 5dB

Code N.: FT AT-FCFSM05



Fiber optic attenuators are used in the fiber optic communications to reduce the optical fiber power at a certain level, the most commonly used type is female to male plug type fiber optic attenuator, it has the optical fiber connector at one side and the other side is a female type fiber optic adapter.

Features:

- Low back reflection
- Wide wavelength range
- Polarization insensitive
- Compact and rugged housings

Applications:

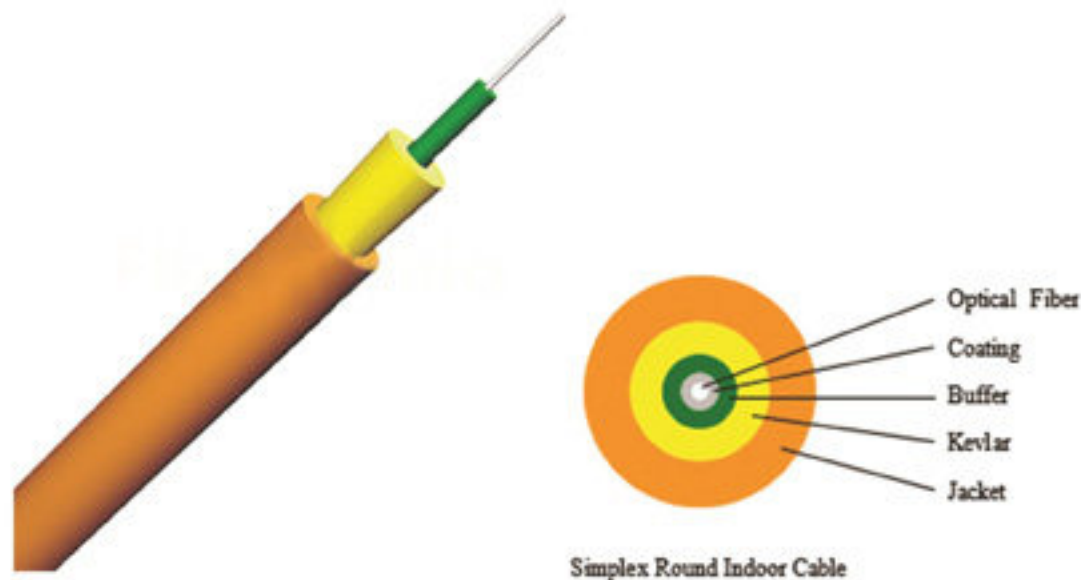
- Optical power equalization
- CATV, LAN, and telecommunications
- Test and measurement
- Channel balancing for WDM systems



Fiber Optic Cables

- Simplex Round Indoor Cable

Code N.: FT FOCI-S-G2-C-YL-1KM



Applications:

- Used in pigtails and patch cords;
- Used in optical connections in optical communication equipment rooms and optical distribution frames;
- Used in optical connections in optical apparatus and equipments.

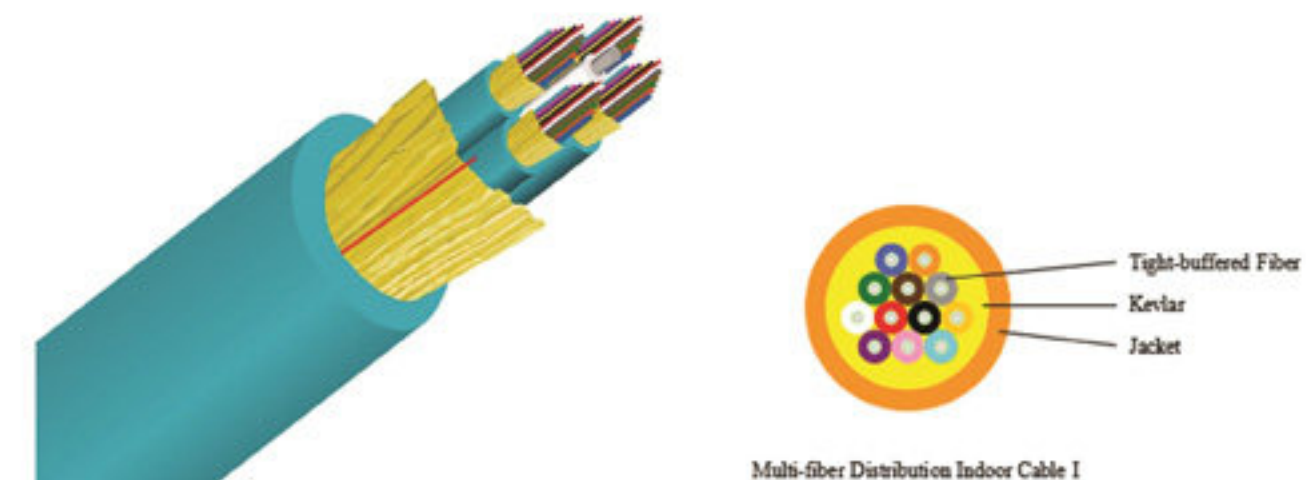
Features:

- Good mechanical and environmental characteristics;
- Flame retardant characteristics meets the requirements of relevant standards;
- The mechanical characteristics meet the requirements of relevant standards;
- Soft, flexible, easy to splice, and with big capacity data transmission;
- Meet various requirements of market and clients.

Fiber Optic Cables

- Multi-fiber Distribution Indoor Cable

Code N.: FT FOCI-D12-G2-C-YL-1KM



Applications:

- Used in indoor cabling, especially used as distribution cable;
- Used as interconnect lines of equipments, and used in optical connections in optical communication equipment rooms and distribution frames;
- Used in pigtails and patch cords.

Features:

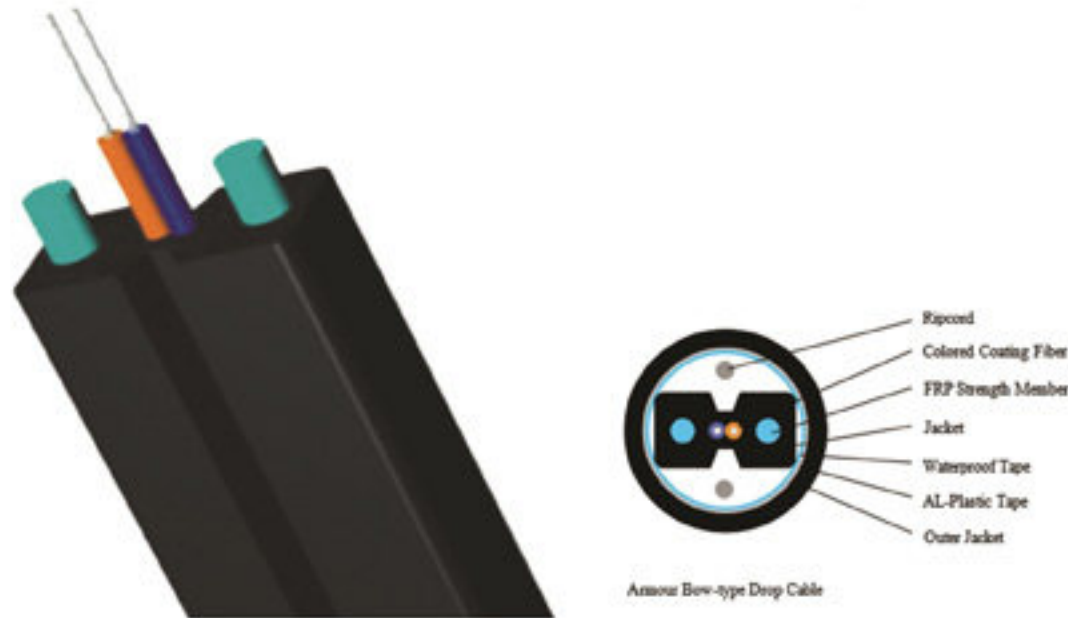
- Good mechanical and environmental characteristics;
- Flame retardant characteristics meets the requirements of relevant standards;
- The mechanical characteristics meet the requirements of relevant standards;
- Soft, flexible, easy to splice, and with big capacity data transmission;
- Meet various requirements of market and clients.



Fiber Optic Cables

■ Armor Bow-type Drop Cable

Code N.: FT FTTH-AB2-G7-L-BK-1KM



Applications:

- Mainly used in building aerial and duct access cabling.

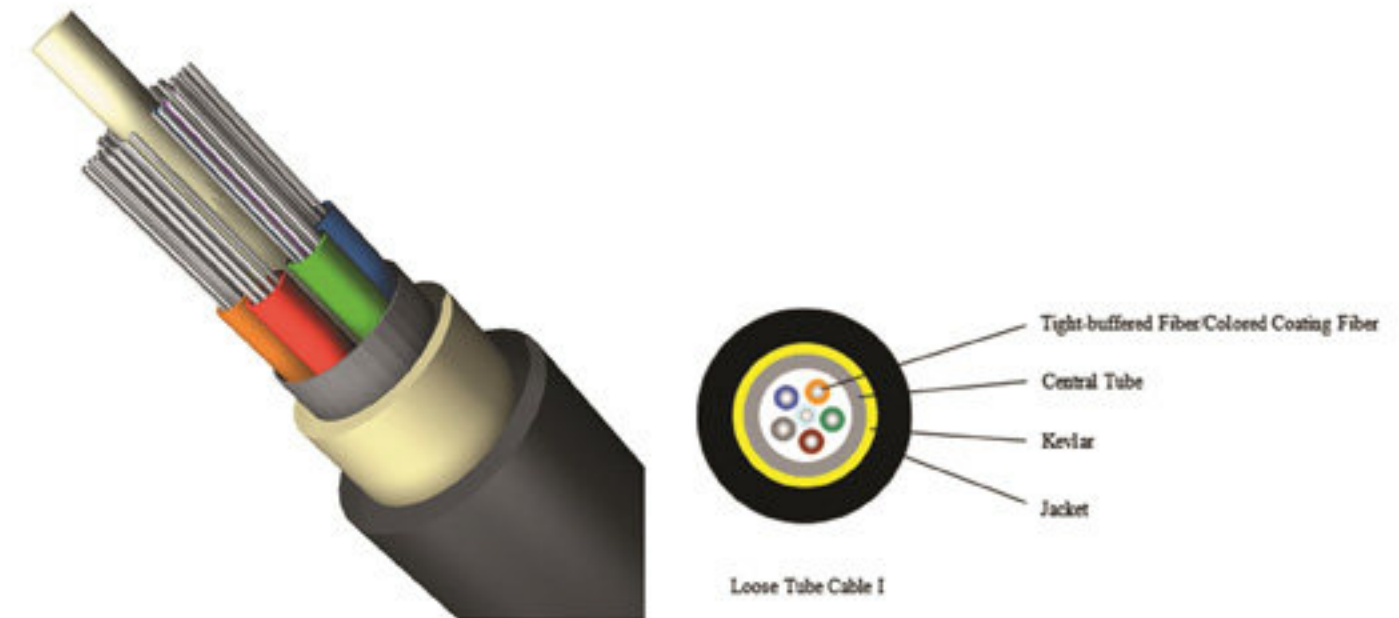
Features:

- Good mechanical and environmental characteristics;
- Flame retardant characteristics meets the requirements of relevant standards;
- The mechanical characteristics meet the requirements of relevant standards;
- Soft, flexible, easy to splice, and with big capacity data transmission;
- Meet various requirements of market and clients.

Fiber Optic Cables

■ Loose Tube Cable

Code N.: FT FTTH-L12-G7-L-BK-1KM



Applications:

- Used as access building cable.
- Used in wireless base station (BS) horizontal and vertical cabling.

Features:

- Good mechanical and environmental characteristics;
- Flame retardant characteristics meets the requirements of relevant standards;
- The mechanical characteristics meet the requirements of relevant standards;
- Soft, flexible, easy to splice, and with big capacity data transmission;
- Meet various requirements of market and clients.



Fiber Optic Connectors

- FC Connector, Multimode, Metal Housing, 2.0mm Black Boot

Code N.: FT CFCMMBK2



Fumo Telecom's epoxy type connectors are available with a wide assortment of options, including simplex, duplex, multimode, single mode, and 3mm, 2mm, or 900µm boot sizes.

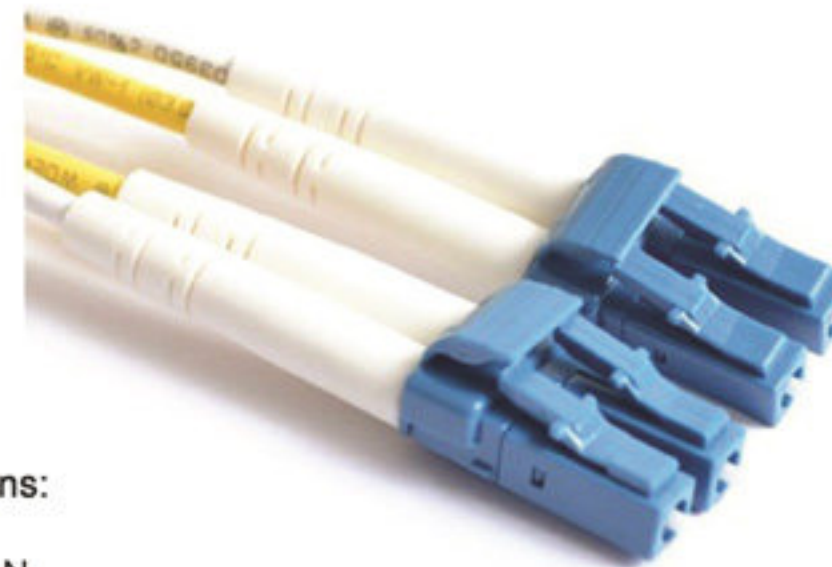
Features:

- Low insertion loss
- Corrosion resistant body
- Ultra low back reflection
- For 2.0mm jacket
- One Piece with pre-domed ceramic ferrule is designed for easy assembly
- Meets Telecordia-GR-326-CORE specifications
- RoHS compliant

Fiber Optic Connectors

- LC Duplex Connector, Multimode OM4, Magenta Housing, 3.0mm Boot

Code N.: FT CLCDM4MG3



Applications:

- LAN & WAN
- Telecommunication
- Broadband
- CATV
- FTTx projects

Features:

- Low insertion loss
- Corrosion resistant body
- Ultra low back reflection
- For 3.0mm, 2.0mm jacket or 900um buffer
- One Piece with pre-domed ceramic ferrule is designed for easy assembly
- Meets Telecordia-GR-326-CORE specifications
- RoHS compliant



Fiber Optic Keystone Couplers

- SC to SC Single Mode Simplex Fiber Optic Keystone Coupler – Black

Code N.: FT FKC-SC-SM-BK



Fiber optic keystone couplers provide a great solution when needing to run any length of fiber in the walls and out of the way. Fumo Telecom fiber keystone couplers are available in various connections, single mode, multimode, simplex or duplex.

Features:

Fiber connections for fiber to the desk installations
Snap in keystone coupler is fast and easy to install
Available in beige and white colored blank insert
Applied for both flanged and flangeless fiber adapters

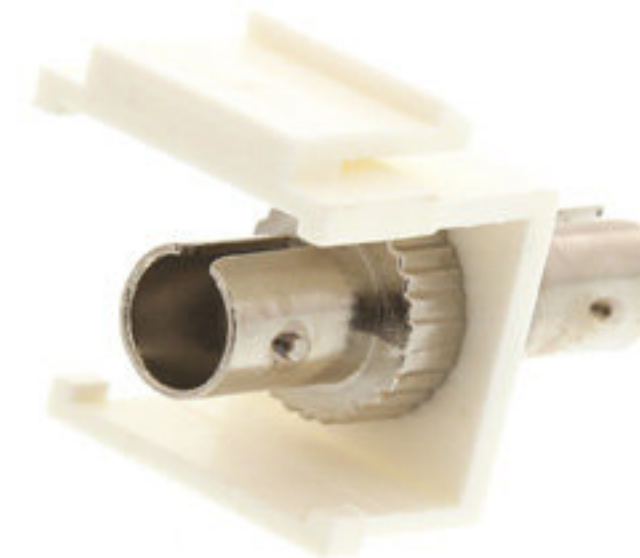
Applications:

Voice/video/data
Premise wiring
Network installation

Fiber Optic Keystone Couplers

- ST to ST Single Mode Simplex Fiber Optic Keystone Coupler – White

Code N.: FT FKC-ST-SM-WH



Fiber optic keystone couplers provide a great solution when needing to run any length of fiber in the walls and out of the way. Fumo Telecom fiber keystone couplers are available in various connections, single mode, multimode, simplex or duplex.

Features:

Fiber connections for fiber to the desk installations
Snap in keystone coupler is fast and easy to install
Available in beige and white colored blank insert
Applied for both flanged and flangeless fiber adapters

Applications:

Voice/video/data
Premise wiring
Network installation





Enterprise Racks

05

WWW.FUMOTELECOM.DE

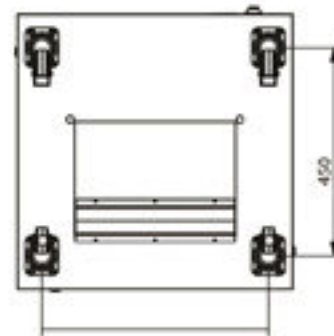
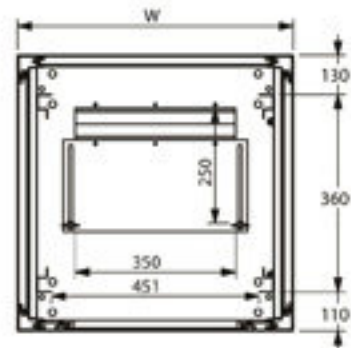
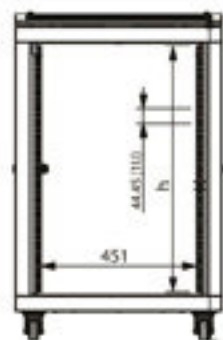
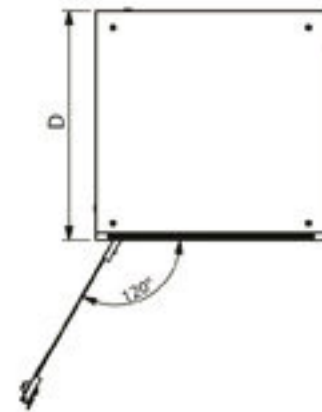
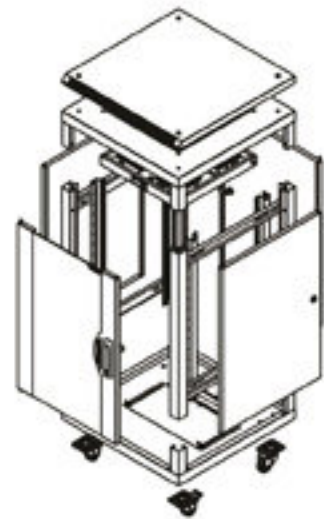


FUMOLINE 600x600



19" 600x600mm FumoLine Cabinet
Width: 600mm Depth: 600mm

Order No	U (1U=44,45 mm)	h Inside Height (mm)	H Outside Height (mm)	Weight (Kg)
FT-16U6060	16	714	942	46
FT-20U6060	20	892	1120	52
FT-26U6060	26	1158	1386	65
FT-32U6060	32	1425	1653	75
FT-36U6060	36	1603	1831	81
FT-39U6060	39	1736	1964	86
FT-42U6060	42	1870	2098	91
FT-44U6060	44	1955	2182	94

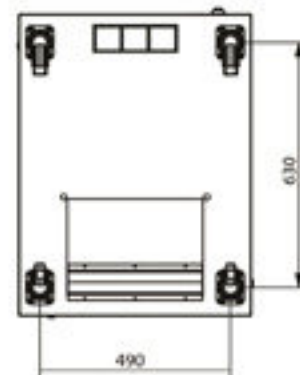
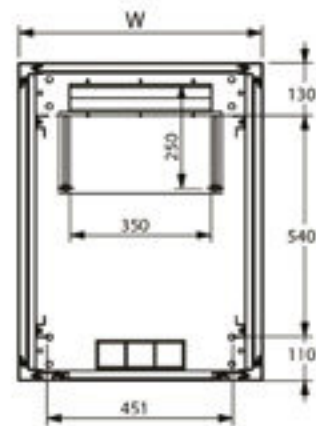
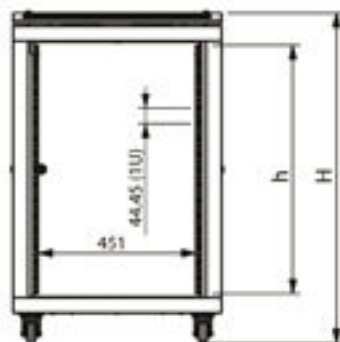
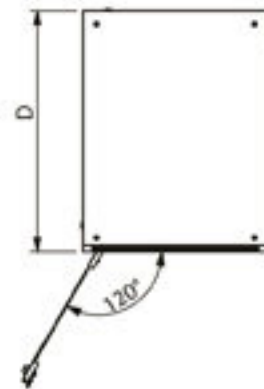
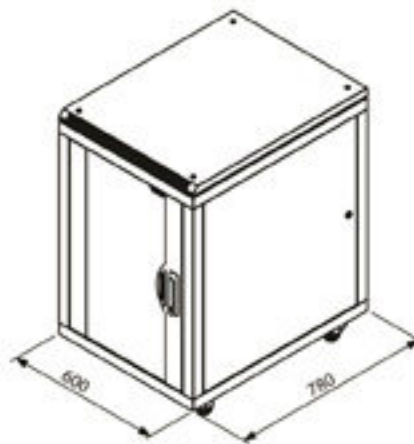
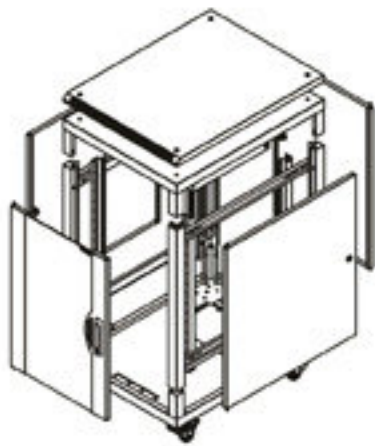


FUMOLINE 600x800



19" 600x800mm FumoLine Cabinet
Width: 600mm Depth: 780mm

Order No	U (1U=44,45 mm)	h Inside Height (mm)	H Outside Height (mm)	Weight (Kg)
FT-16U6080	16	714	942	54
FT-20U6080	20	892	1120	62
FT-26U6080	26	1158	1386	72
FT-32U6080	32	1425	1653	83
FT-36U6080	36	1603	1831	89
FT-39U6080	39	1736	1964	94
FT-42U6080	42	1870	2098	100
FT-44U6080	44	1955	2182	104

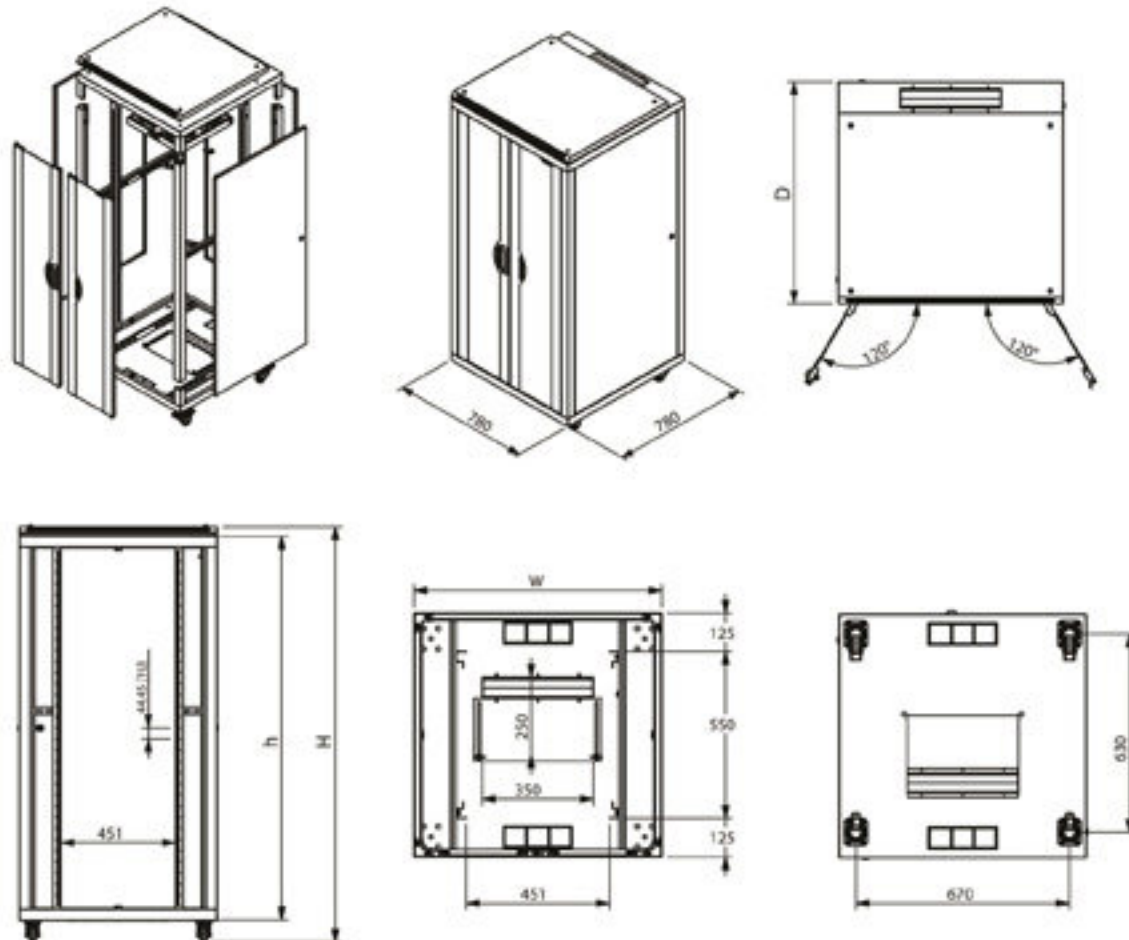


FUMOLINE 800x800



19" 600x1000mm FumoLine Cabinet
Width: 600mm Depth: 1000mm

Order No	U (1U=44,45 mm)	h Inside Height (mm)	H Outside Height (mm)	Weight (Kg)
FT-16U60100	16	714	942	65
FT-20U60100	20	892	1120	72
FT-26U60100	26	1158	1386	82
FT-32U60100	32	1425	1653	95
FT-36U60100	36	1603	1831	103
FT-39U60100	39	1736	1964	108
FT-42U60100	42	1870	2098	114
FT-44U60100	44	1955	2182	118

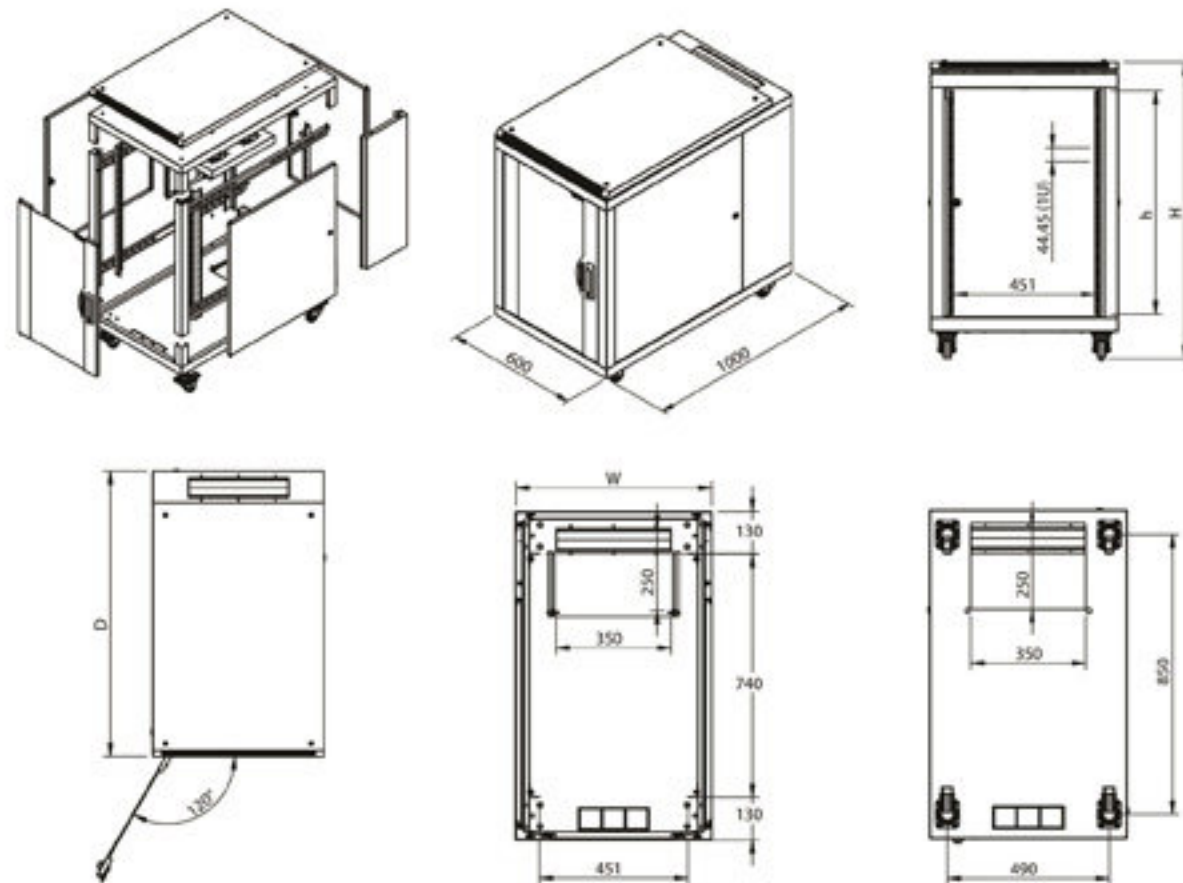


FUMOLINE 600x1000



19" 800x1000mm FumoLine Cabinet
Width: 780mm Depth: 1000mm

Order No	U (1U=44,45 mm)	h Inside Height (mm)	H Outside Height (mm)	Weight (Kg)
FT-32U80100	32	1425	1653	116
FT-36U80100	36	1603	1831	125
FT-39U80100	39	1736	1964	130
FT-42U80100	42	1870	2098	136
FT-44U80100	44	1955	2182	142

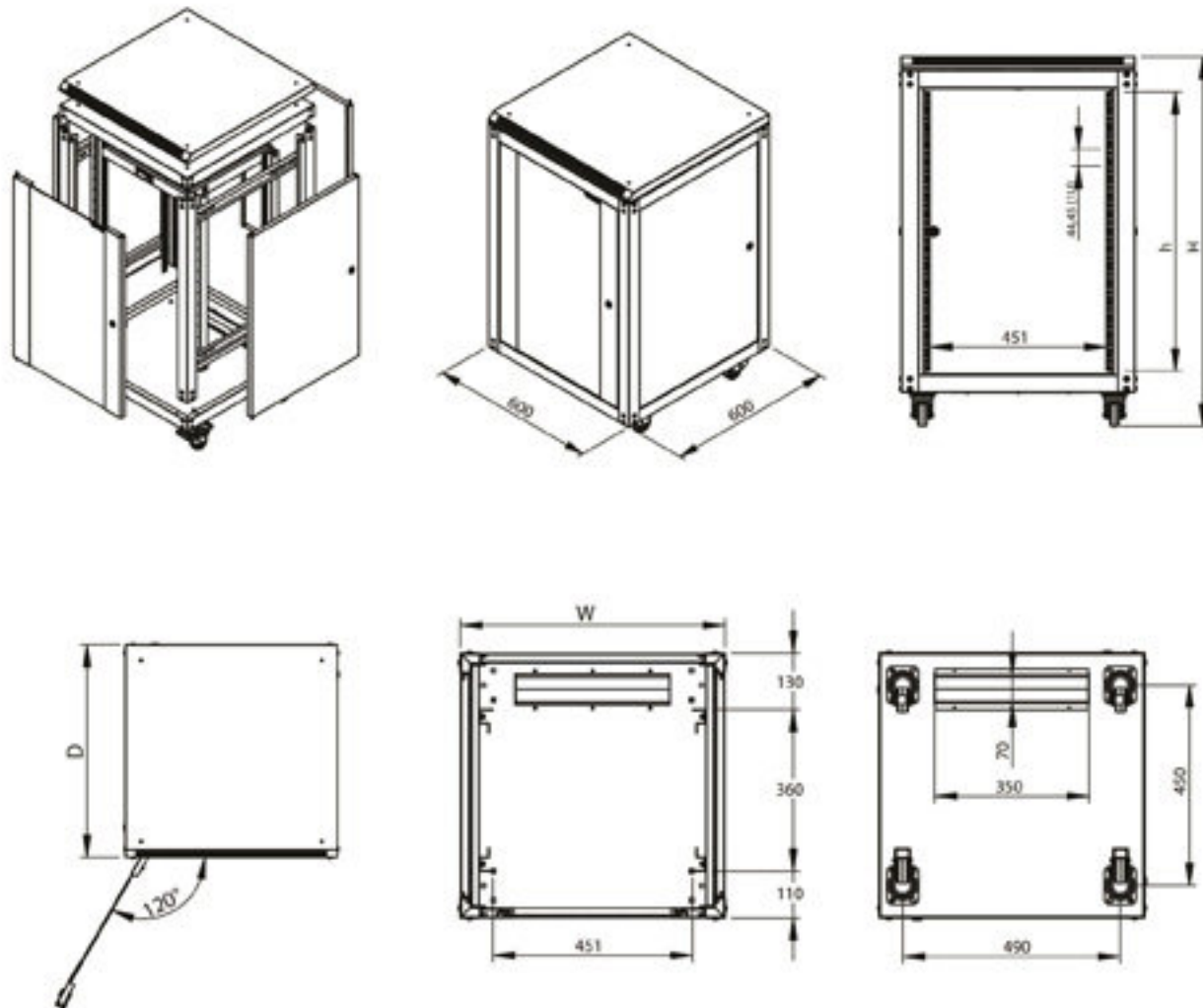


NETLINE 600x600



19" 600x600mm Betaline Cabinet
Width: 600mm Depth: 600mm

Order No	U (1U=44,45 mm)	h Inside Height (mm)	H Outside Height (mm)	Weight (Kg)
FT NET-12U6060	12	536	764	39
FT NET-16U6060	16	714	942	45
FT NET-20U6060	20	892	1120	51
FT NET-26U6060	26	1158	1386	60

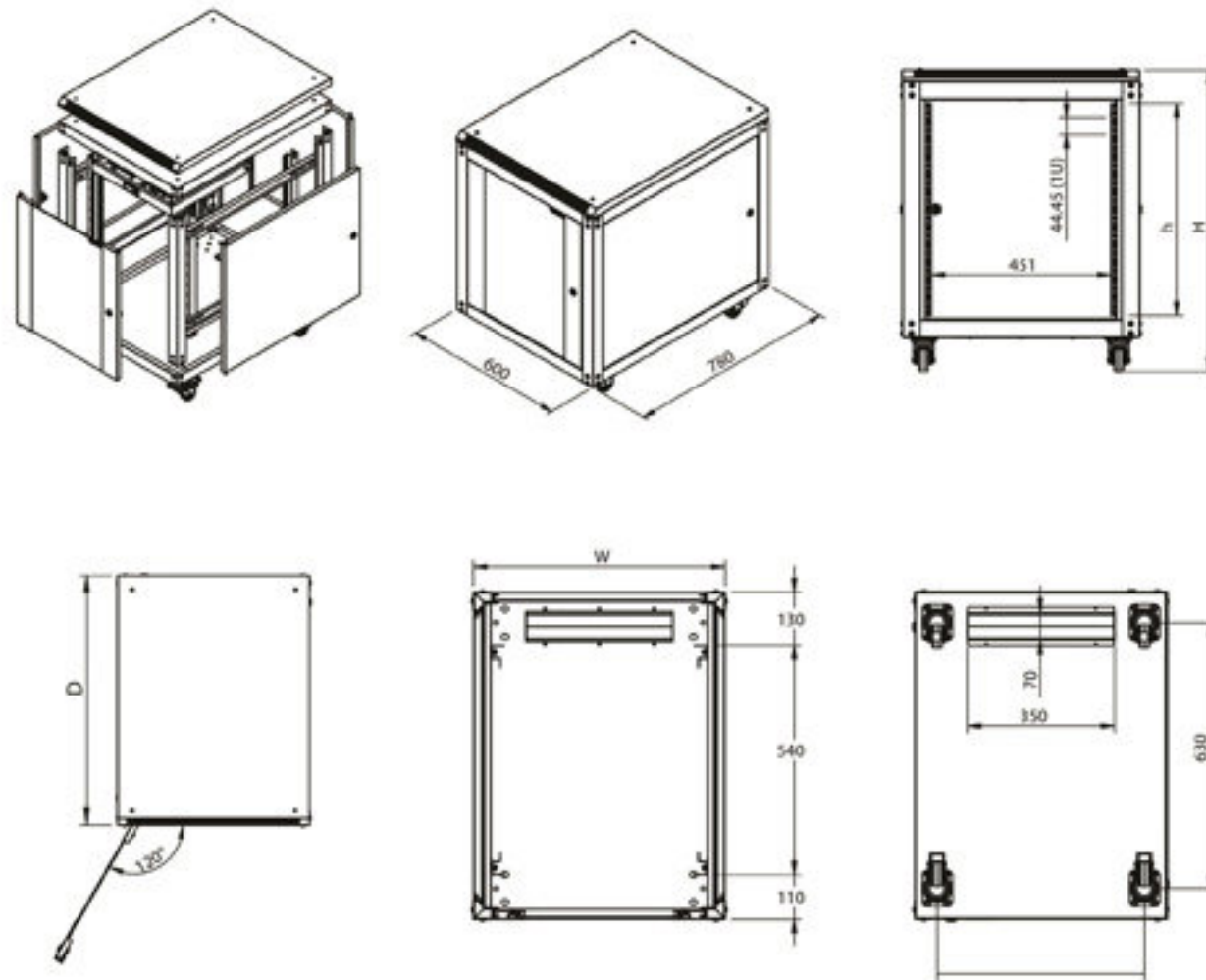


NETLINE 600x800



19" 600x600mm Betaline Cabinet
Width: 600mm Depth: 600mm

Order No	U (1U=44,45 mm)	h Inside Height (mm)	H Outside Height (mm)	Weight (Kg)
FT NET-12U6060	12	536	764	39
FT NET-16U6060	16	714	942	45
FT NET-20U6060	20	892	1120	51
FT NET-26U6060	26	1158	1386	60

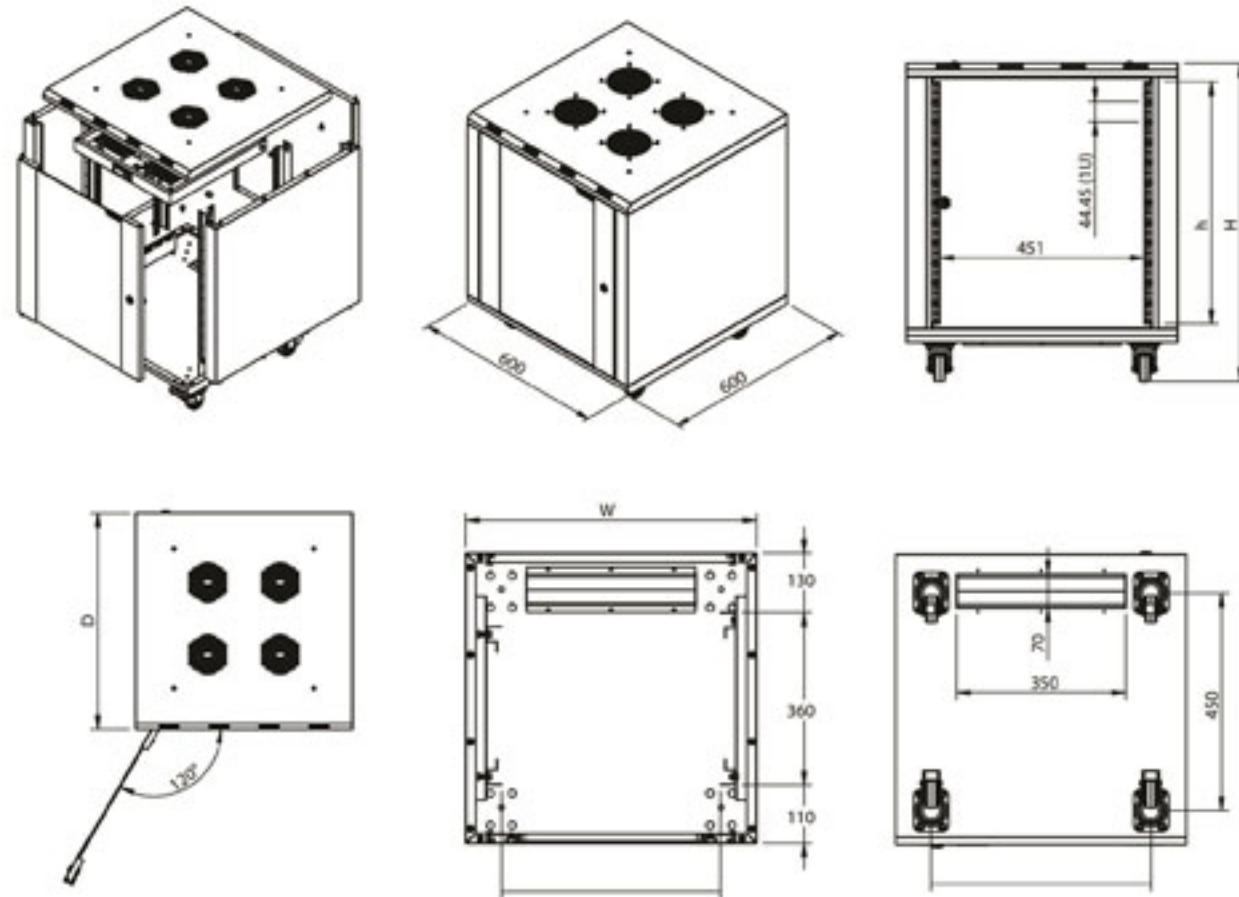


RACKLINE 600x600



19" 600x600mm Betaline Cabinet
Width: 600mm Depth: 600mm

Order No	U (1U=44,45 mm)	h Inside Height (mm)	H Outside Height (mm)	Weight (Kg)
FT RK-12U6060	12	536	764	39
FT RK-16U6060	16	714	942	45
FT RK-20U6060	20	892	1120	51
FT RK-26U6060	26	1158	1386	60



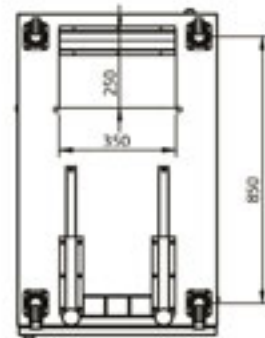
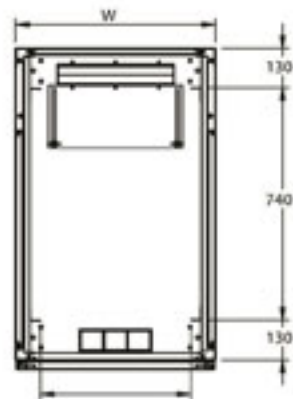
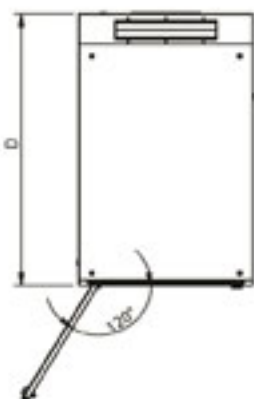
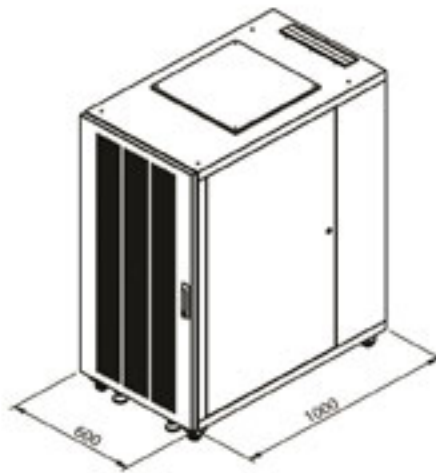
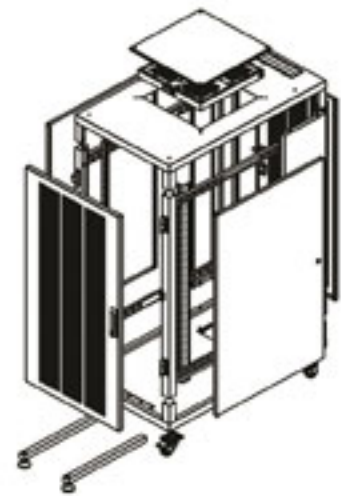
SERVER 600x1000



19" 600x1000mm Server Cabinet

Width: 600mm Depth: 1000mm

Order No	U (1U=44,45 mm)	h Inside Height (mm)	H Outside Height (mm)	Weight (Kg)
FT SC- 26U60100	26	1158	1386	79
FT SC- 32U60100	32	1425	1653	91
FT SC- 42U60100	42	1870	2098	106



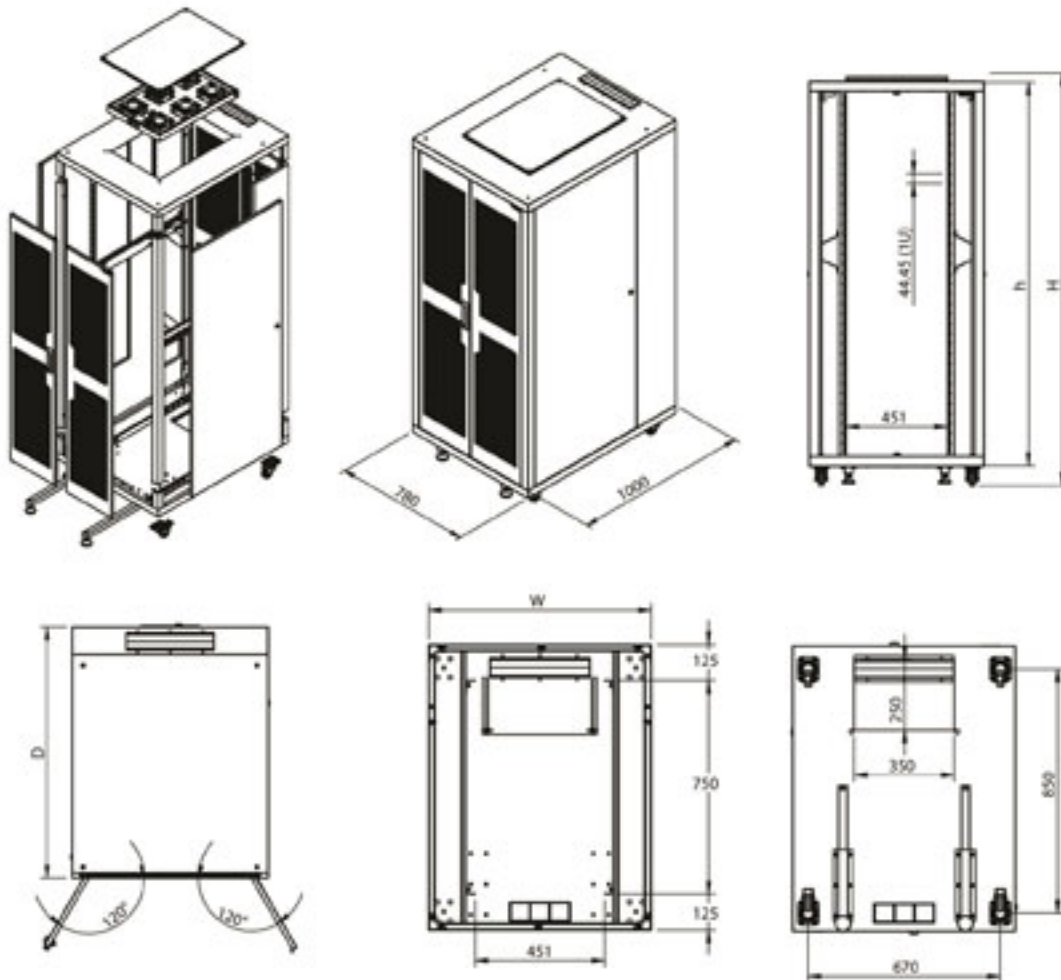
SERVER 800x1000



19" 800x1000mm Server Cabinet

Width: 780mm Depth: 1000mm

Order No	U (1U=44,45 mm)	h Inside Height (mm)	H Outside Height (mm)	Weight (Kg)
FT SC-36U80100	36	1603	1831	105
FT SC-42U80100	42	1870	2098	120

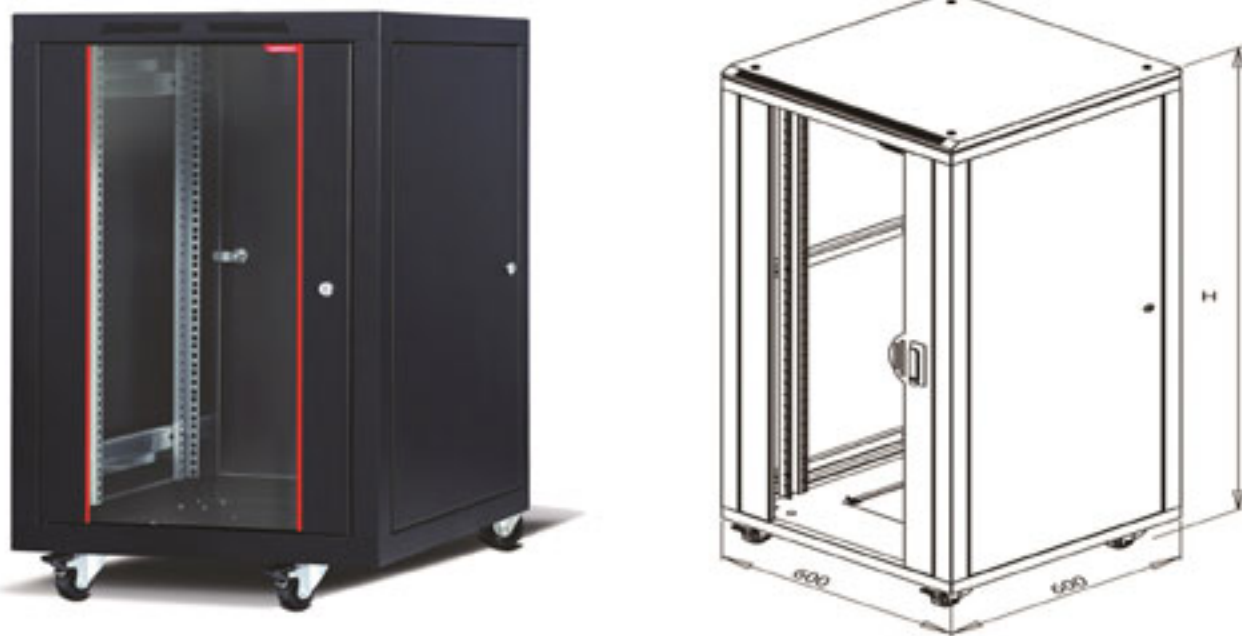


COSMOLINE CABINETS

- Cosmoline cabinets have four side openable, lockable and easily removable covers.
- The rear and side covers are made by DKP sheet and the front side is made by 4 mm thick, impact resistant, tempered and smoked-colored glass which is supported by metal frames.
- The main frame is 1,5 mm, side and rear covers are 1,2 mm steel sheet.
- The frame and corner profiles have nested structure and this structure provides high strength.
- Ventilation is provided by cooling units with 2,4 or 6 fans.
- There are 600x600 , 600x800 , 800x800 , 600x1000 and 800x1000 dimension and 16U , 20U , 26U , 32U , 36U , 39U , 42U and 44U height options.
- There are four 19" mounting profiles and these profiles can move deep within the cabinet.
- Server cabinets are twin perforated front and rear doors for extra ventilation plus space minimizing.
- Mounting profiles have U markings that facilitate the mounting process.
- At the bottom part of the cabinets there is a sliding and dust-protected brushed cable entry. In 600x1000 , 800x800 and 800x1000 cabinets, these entries are available in two locations, from bottom to top.
- It has the option of using wheeled and fixed legs.
Painted by impact-resistant, high strength, electrostatic Ral 9005 texture black color.
- All test procedures have been carried out and has ROSH, CE, EN 61587-1 standards.



COSMOLINE 600x600



19" 600x600mm Cosmoline Cabinet
Width: 600mm Depth: 600mm

Order No	U (1U=44,45 mm)	h Inside Height (mm)	H Outside Height (mm)	Weight (Kg)
FT CSM-16U6060	16	714	942	46
FT CSM-20U6060	20	892	1120	52
FT CSM-26U6060	26	1158	1386	65
FT CSM-32U6060	32	1425	1653	75
FT CSM-36U6060	36	1603	1831	81
FT CSM-39U6060	39	1736	1964	86
FT CSM-42U6060	42	1870	2098	91
FT CSM-44U6060	44	1955	2182	94



COSMOLINE 600 x 800



19" 600x800mm Cosmoline Cabinet
Width: 600mm Depth: 780mm

Order No	U (1U=44,45 mm)	h Inside Height (mm)	H Outside Height (mm)	Weight (Kg)
FT CSM-16U6080	16	714	942	54
FT CSM-20U6080	20	892	1120	62
FT CSM-26U6080	26	1158	1386	72
FT CSM-32U6080	32	1425	1653	83
FT CSM-36U6080	36	1603	1831	89
FT CSM-39U6080	39	1736	1964	94
FT CSM-42U6080	42	1870	2098	100
FT CSM-44U6080	44	1955	2182	104



COSMOLINE 800 x 800



19" 800x800mm Cosmoline Cabinet
Width: 780mm Depth: 780mm

Order No	U (1U=44,45 mm)	h Inside Height (mm)	H Outside Height (mm)	Weight (Kg)
FT CSM-32U8080	32	1425	1653	102
FT CSM-36U8080	36	1603	1831	111
FT CSM-39U8080	39	1736	1964	117
FT CSM-42U8080	42	1870	2098	123
FT CSM-44U8080	44	1955	2182	127



COSMOLINE 600 x 1000



19" 600x1000mm Cosmoline Cabinet
With: 600mm Depth: 1000mm

Order No	U (1U=44,45 mm)	h Inside Height (mm)	H Outside Height (mm)	Weight (Kg)
FT CSM-16U60100	16	714	942	65
FT CSM-20U60100	20	892	1120	72
FT CSM-26U60100	26	1158	1386	82
FT CSM-32U60100	32	1425	1653	95
FT CSM-36U60100	36	1603	1831	103
FT CSM-39U60100	39	1736	1964	108
FT CSM-42U60100	42	1870	2098	114
FT CSM-44U60100	44	1955	2182	118



COSMOLINE 800 x 1000



19" 800x1000mm Cosmoline Cabinet
With: 780mm Depth: 1000mm

Order No	U (1U=44,45 mm)	h Inside Height (mm)	H Outside Height (mm)	Weight (Kg)
FT CSM-32U80100	32	1425	1653	116
FT CSM-36U80100	36	1603	1831	125
FT CSM-39U80100	39	1736	1964	130
FT CSM-42U80100	42	1870	2098	136
FT CSM-44U80100	44	1955	2182	142

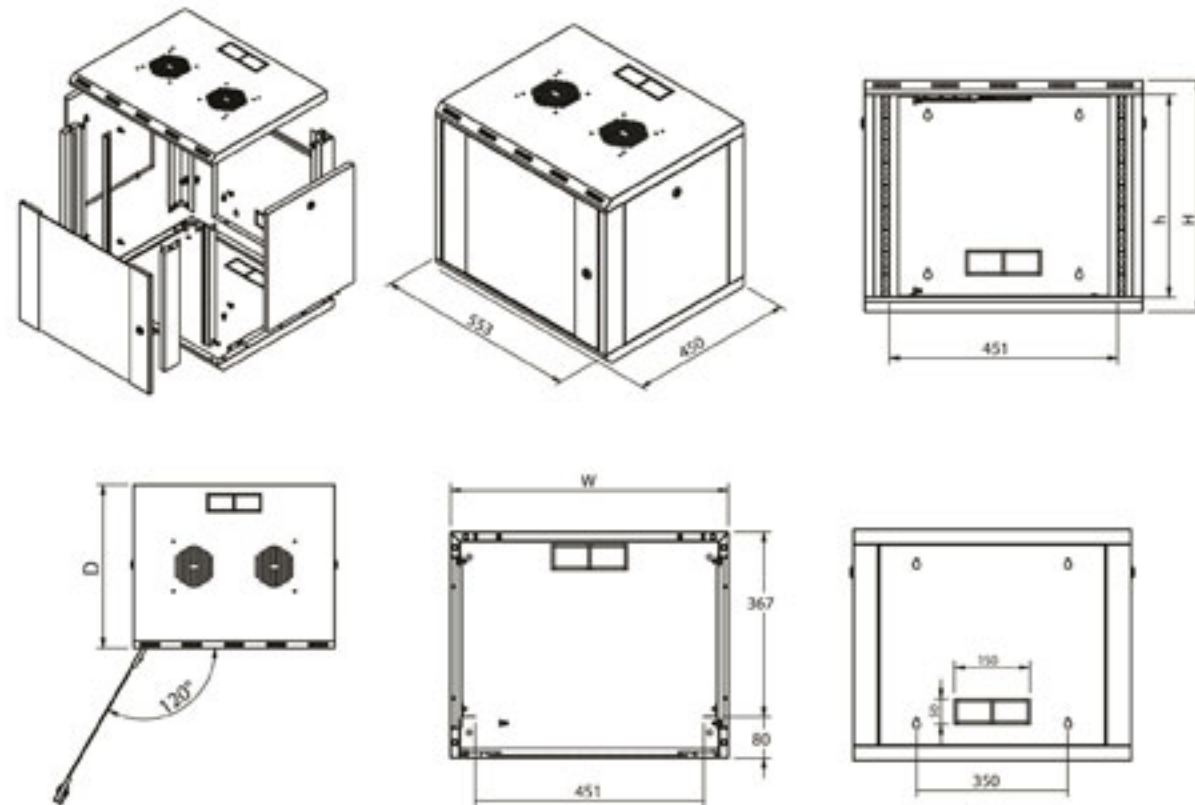


DUVAR TIPI FUMOLINE 600x450

19" 600x450mm Rack Cabinet
Width: 555mm Depth: 450mm



Order No	U (1U=44,45 mm)	h Inside Height (mm)	H Outside Height (mm)	Weight (Kg)
FT-7U450	7	314	371	14
FT-9U450	9	403	460	16
FT-12U450	12	536	593	19
FT-16U450	16	714	771	24
FT-20U450	20	892	949	29

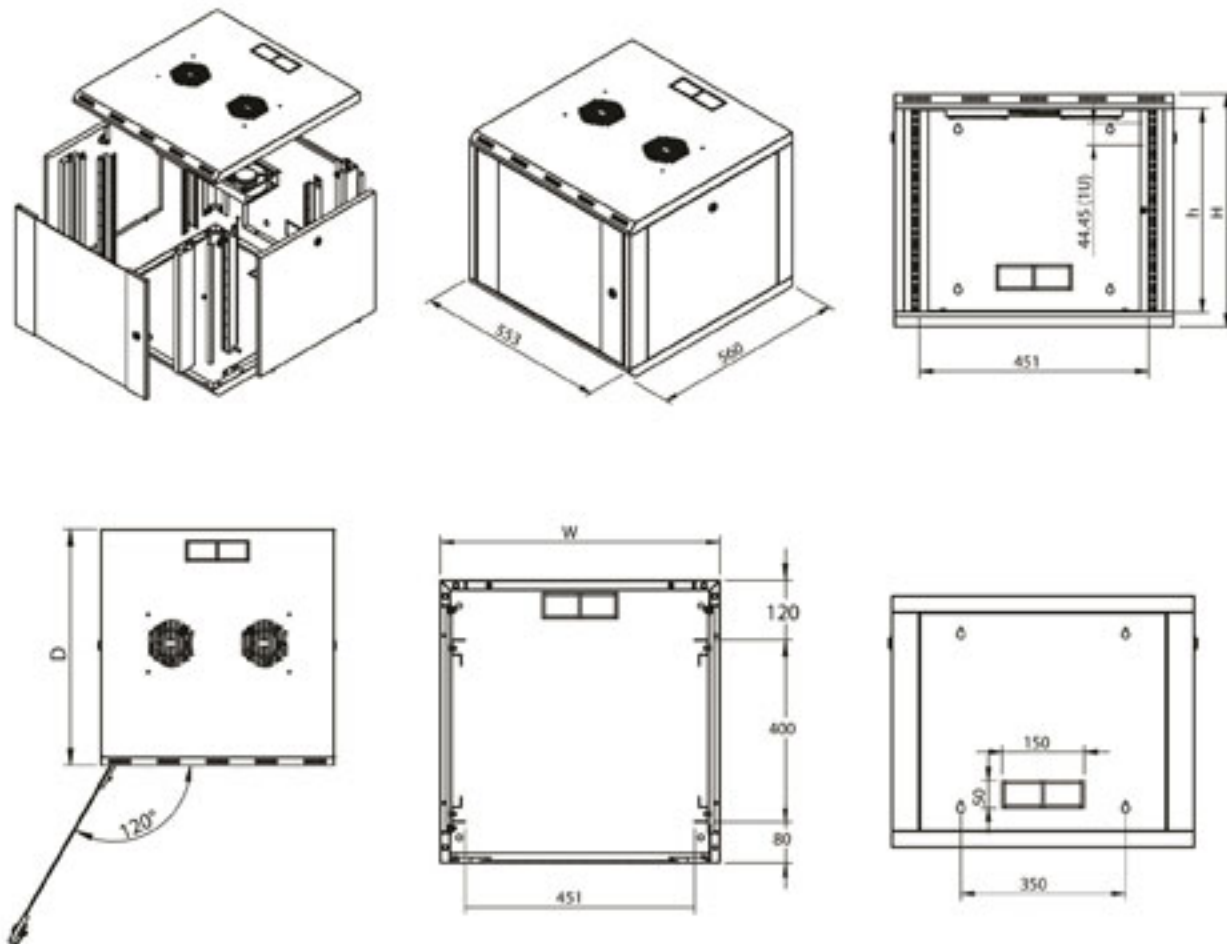


**DUVAR TIPI
FUMOLINE 600x560**



19" 600x560mm Rack Cabinet
Width: 555mm Depth: 560mm

Order No	U (1U=44,45 mm)	h Inside Height (mm)	H Outside Height (mm)	Weight (Kg)
FT-7U560	7	314	371	16
FT-9U560	9	403	460	18
FT-12U560	12	536	593	22
FT-16U560	16	714	771	28
FT-20U560	20	892	949	34



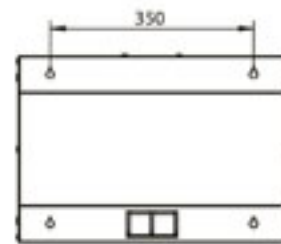
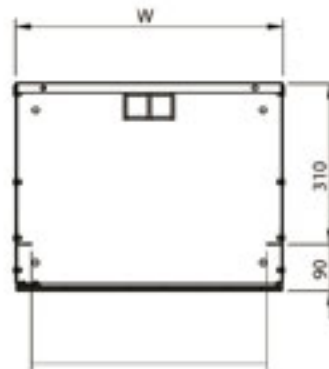
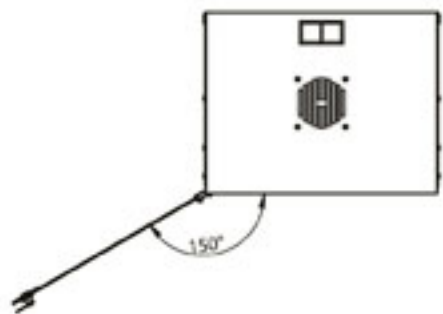
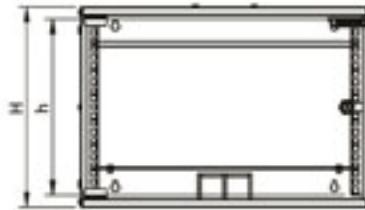
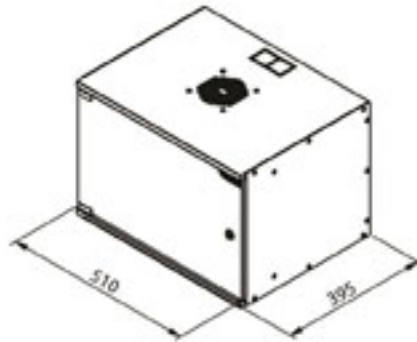
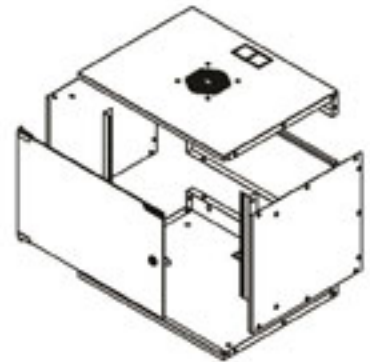
DUVAR TİPİ SOHO 512X400



19" Wall Mounting SOHO Cabinet

Width: 515mm Depth: 400mm

Order No	U (1U=44,45 mm)	h Inside Height (mm)	H Outside Height (mm)	Weight (Kg)
FT-SH-4U	4	181	225	9
FT-SH-7U	7	314	358	12
FT-SH-9U	9	404	448	14
FT-SH-12U	12	538	582	16



SOHO

Duvar Tipi Kabinetler

- Küçük sistemlerin montajında kullanılır.
- Önü füme renkli cam kapalıdır.
- Ekonomik üretim yapısı sayesinde uygun fiyat avantajlıdır.
- Standart 400 mm derinliğe ve ihtiyacınıza uygun olarak 4U, 7U, 9U ve 12U yüksekliklerine sahiptir.
- 1'li fan modülü takılarak havalandırma işlemi sağlanabilir.
- Elektrostatik polyester esaslı ince pütürlü Ral 7035 Gri renkli boya ile boyanmıştır.

SOHO

Wall Mounted Cabinets

- Used for installation of small systems
- Affordable price thanks to economic production structure
- It has a 4 mm tempered glass front door with lock
- Standard depth size; 400 mm and four options of height; 4U, 7U, 9U, 12U
- Ventilation is provided by cooling unit with 1 fan.
- Impact-resistant, high strength, electrostatic Ral 7035 grey color.

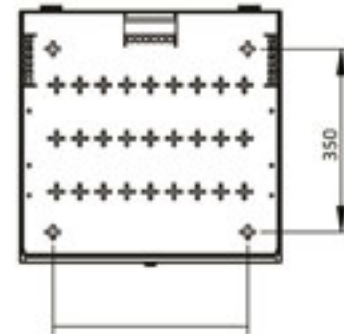
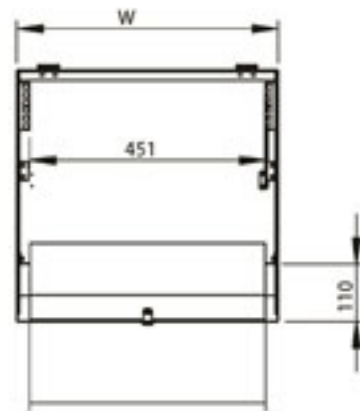
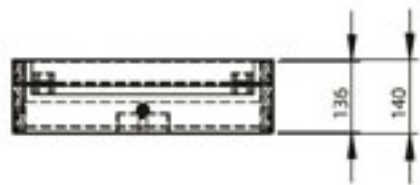
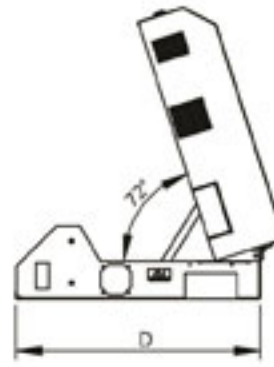
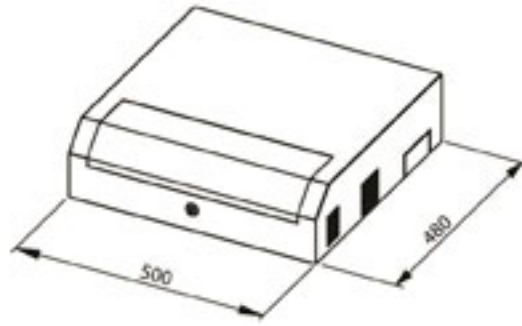
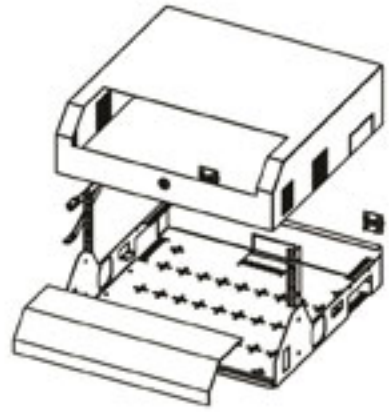


DUVAR TİPİ SLIMRACK 500X480



19" Wall Mounting SLIMRACK Cabinet
Width: 500mm Depth: 480mm

Order No	U (1U=44,45 mm)	H Outside Height (mm)	Weight (Kg)
FT-SLM-5U	3U+2U	140	9



SLIMRACK Duvar Tipi Kabinetler

- Ofislerde ve küçük sistemlerin yer aldığı alanlarda kullanılmaktadır.
- 3U önde, 2U arkada olmak üzere 5U kullanım alanı sağlar.
- Estetik tasarımı sayesinde şık bir görünüş oluşturur.
- Dikey ve yatay uygulamalar ile duvara ve tavana monte edilir.
- Duvardan kalınlığı 140 mm'dir.
- Ral 9005 ve Ral 7035 renk seçenekleri mevcuttur.

SLIMRACK Wall Mounted Cabinets

- Slimrack aesthetic and economic solution for switch systems
- 5U device mounting capacity (3U+2U)
- Wall and ceiling mounted
- Slimrack thickness on wall: 140 mm
- Color options : Ral 7035 and Ral 9005



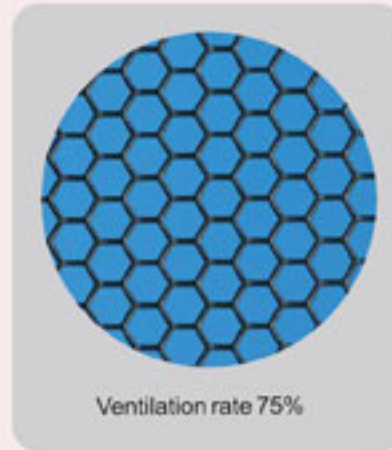
Heavy Metal Racks

06

WWW.FUMOTELECOM.DE



Server / Networking Cabinet



Standard

- Comply with ANSI/EIA, RS-310-D, IEC297-2, DIN41494;PART1, DIN41494;PART7, GB/T3047.2-92, ETSI standard.

Front&Rear door feature:

- High ventilated rate front door with arc hexagonal reticular vented;
- Hexagonal reticular high-density vented plate rear door;
- The ventilated rate is 75%
- Front & rear door are free solder reinforcement structure, Elegant and sturdy;
- Front & rear door with elegant lock;
- The lock can be equipped according to the customer's needs;
- Front&Rear doors can be designed to open in left or right;
- Front&rear doors can be changed to double-doors

Material

- Mounting profile&Mounting angle: Fingerprint resistant aluminum zinc plate; The rest: SPCC cold rolled steel; Thickness: mounting profile 2.0mm, mounting angle 1.5mm, others 1.2mm

Surface finish:

- Degreasing, Vitrification, power coated;

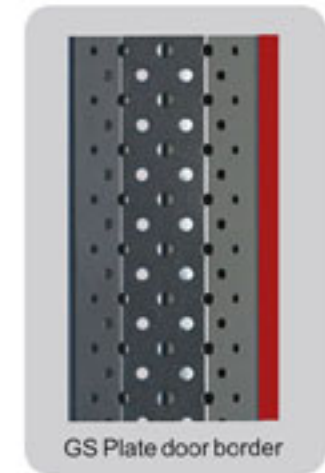
Degree of protection:

- IP20

Loading capacity:

- Static loading: 800KG (with adjustable feet)

Server / Networking Cabinet



Standard

- Comply with ANSI/EIA, RS-310-D, IEC297-2, DIN41494;PART1, DIN41494;PART7, GB/T3047.2-92, ETSI standard.

Front&Rear door feature:

- Toughened glass front door with more ruffled round vented door border;
- Hexagonal reticular high-density vented plate rear door;
- The ventilated rate is 75%
- Front & rear door are free solder reinforcement structure, Elegant and sturdy;
- Front & rear door with elegant lock;
- The lock can be equipped according to the customer's needs;
- Front&Rear doors can be designed to open in left or right;
- Front&rear doors can be changed to double-doors

Material

- Mounting profile&Mounting angle: Fingerprint resistant aluminum zinc plate; The rest: SPCC cold rolled steel; Thickness: mounting profile 2.0mm, mounting angle 1.5mm, others 1.2mm

Surface finish:

- Degreasing, Vitrification, power coated;

Degree of protection:

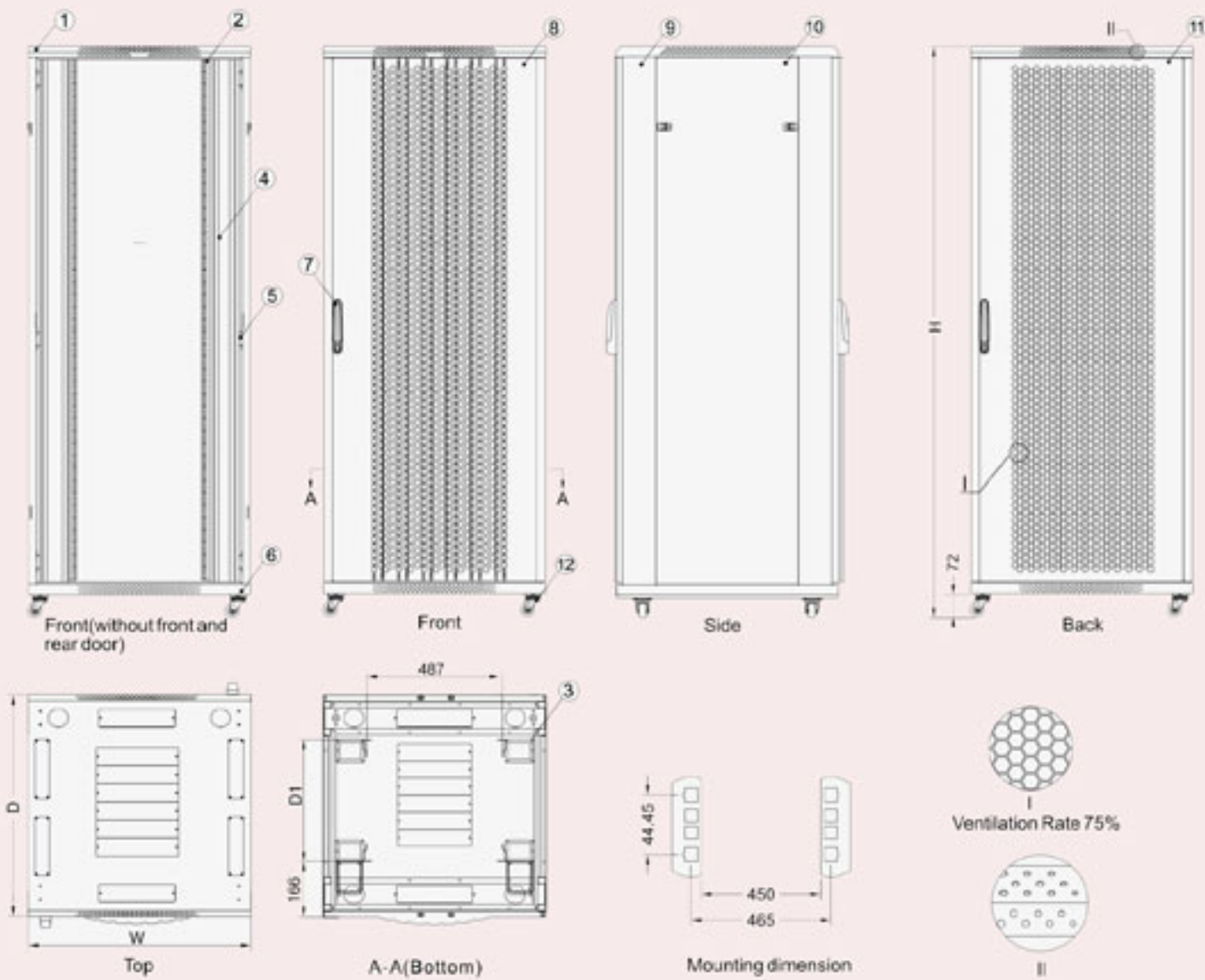
- IP20

Loading capacity:

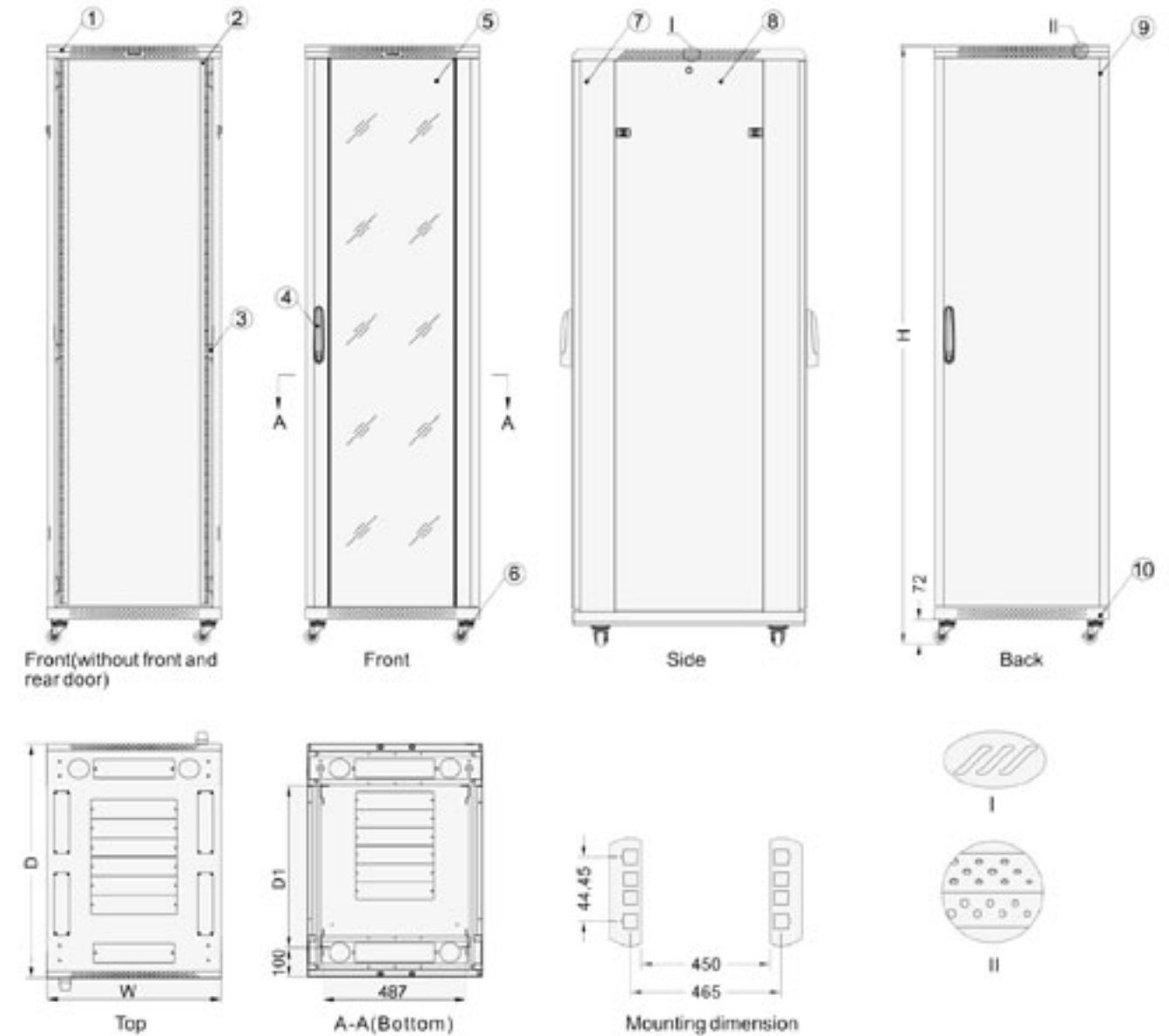
- Static loading: 800KG (with adjustable feet)



Width 800mm main dimension



Width 600mm main dimension

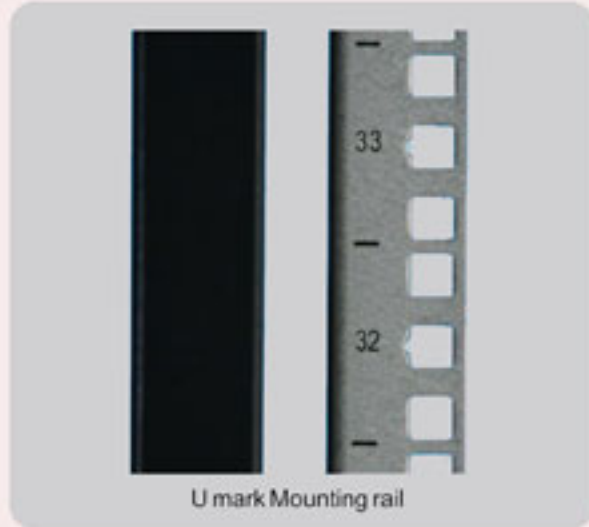


S/N	Specification	Quantity	Unit	Mterial	Surface Finish	Remark
1	Top cover	1	Piece	SPCC cold rolled steel t1.2	Powder coated	---
2	Mounting profile	4	Piece	Fingerprint-resistant aluminum deposited zinc plate t2.0	Material	---
3	Spacer	12	Piece	SPCC cold rolled steel t1.5	Powder coated	8pcs for lower 32U
4	Cable management slot	2	Piece	SPCC cold rolled steel t0.8/Plastic	Powder coated	---
5	Mounting angle	6	Piece	Fingerprint-resistant aluminum deposited zinc plate t1.5	Material	4pcs for lower 32U
6	Bottom panel	1	Piece	SPCC cold rolled steel t1.2	Powder coated	---
7	Luxurty lock	2	Piece	---	Black	---
8	Front door	1	Piece	5mm Toughened glass/SPCC t1.2	Powder coated	---
9	Frame	2	Piece	SPCC cold rolled steel t1.2	Powder coated	---
10	Side panel	2	Piece	SPCC cold rolled steel t1.2	Powder coated	---
11	Rear door	1	Piece	SPCC cold rolled steel t1.2	Powder coated	---
12	2" heavy duty castor	4	Piece	---	---	---

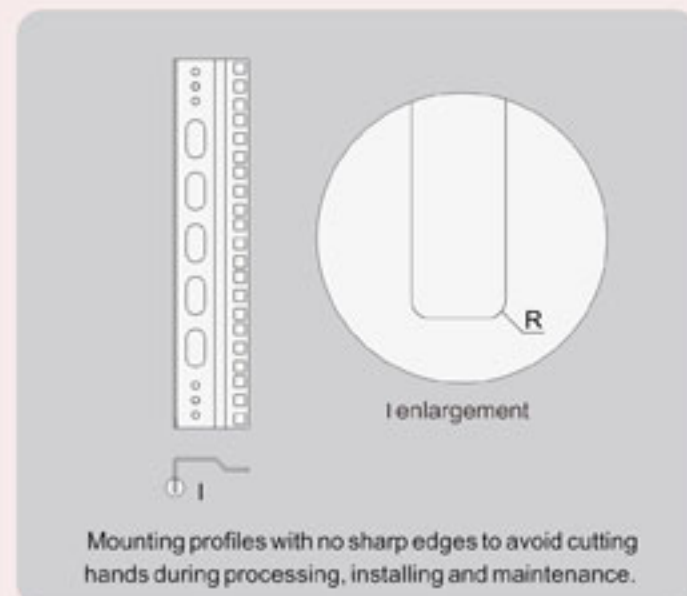
S/N	Specification	Quantity	Unit	Mterial	Surface Finish	Remark
1	Top cover	1	Piece	SPCC cold rolled steel t1.2	Powder coated	---
2	Mounting profile	4	Piece	Fingerprint-resistant aluminum deposited zinc plate t2.0	Material	---
3	Mounting angle	6	Piece	Fingerprint-resistant aluminum deposited zinc plate t1.5	Material	4pcs for lower 32U
4	Luxurty lock	2	Piece	---	Black	---
5	Front door	1	Piece	5mm Toughened glass/SPCC t1.2	Powder coated	---
6	2" heavy duty castor	4	Piece	---	---	---
7	Frame	2	Piece	SPCC cold rolled steel t1.2	Powder coated	---
8	Side panel	2	Piece	SPCC cold rolled steel t1.2	Powder coated	---
9	Rear door	1	Piece	SPCC cold rolled steel t1.2	Powder coated	---
10	Bottom panel	1	Piece	SPCC cold rolled steel t1.2	Powder coated	---

Server / Networking Cabinet

Mounting profile



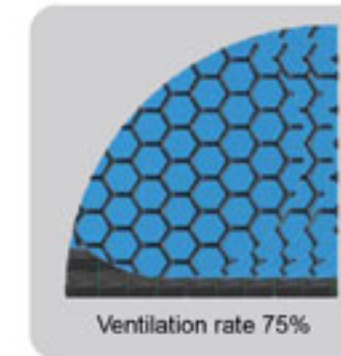
- High precision manufacturing
- High precision installation and cancel the adjustable gap
- No out of shape after installing equipments;
- Better strength with rapezoidal cross-section structure;
- Good electrical conductivity and facilitate equipment equipotential installation, prevent electrostatic damage
- Cable can go through the elliptic holes of mounting profile
- Front and rear with 25mm modulus values adjustable;
- Beautiful appearance



Width 800mm main dimension

Front and rear door

- Ventilation rate 75%
- Left or right opening;
- Single section door can be changed to double-section door;
- Free of weld reinforcement structure
- Beautiful appearance;
- With high quality elegant lock



Server / Networking Cabinet

Earthing device

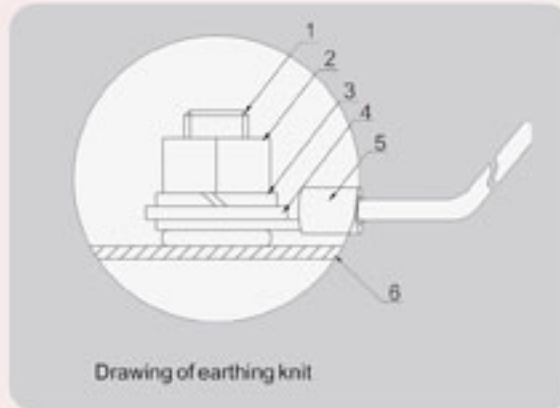


Earth knut

Specification	Values (Kgf cm min)
Test tighten torque	28.8
Allowable tightening torque	36



Earth knut with jacket



Drawing of earthing knut



Main parts with earthing knits can connect with each other

S/N	Specification	S/N	Specification
1	M6* 13 screw	4	Ø6 Spring cushion
2	Ø6 Nut	5	Earthing kit
3	Ø6 Flat cushion	6	workpiece



Earth wire

Model No.	Specification
320600631	0.1 M*3. 332MM², Kelly, with ground connector
320600017	0.25 M*3. 332MM², Kelly, with ground connector
320600011	0.3 M*3. 332MM², Kelly, with ground connector
320600003	0.5 M*3. 332MM², Kelly, with ground connector
320600010	0.8 M*3. 332MM², Kelly, with ground connector
320600022	1.0 M*3. 332MM², Kelly, with ground connector

Server / Networking Cabinet

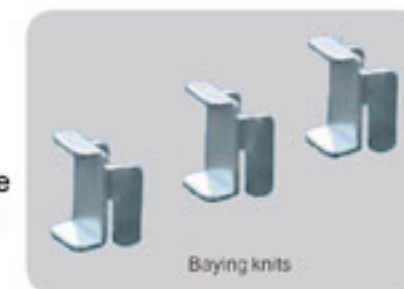
Vertical installation PDU

- Vertical installation PDU do not take up space of equipment;
- Mounting angle can be shortening in back, can meet full size PDU with vertical installation
- A complete set of accessories;
- PDU with thickness less than 50mm, after installation will not affect the server after disassembling
- With vertical inclined hole vertical installation PDU, the space taken by the plugs is smaller, which can save installation space

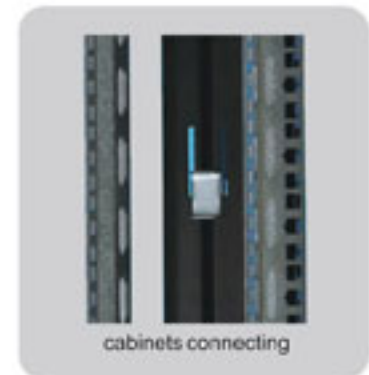


Baying knits

- Connecting 2 cabinets;
- Tool-free installation;
- When connecting, side doors will remove
- 4baying knits is used for each 2 cabinet

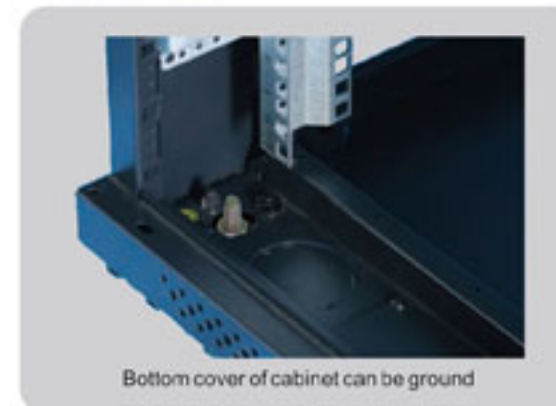


Baying knits

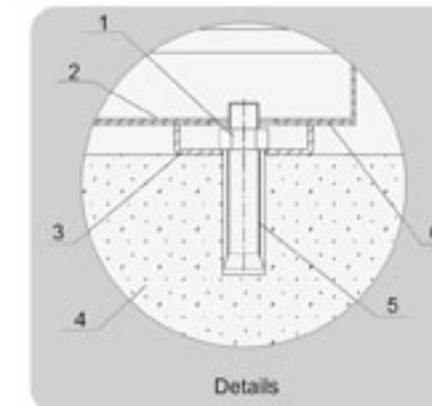


cabinets connecting

Grounding



Bottom cover of cabinet can be ground



Details

S/N	Specification
1	M12 screw
2	Frame
3	Pallet
4	Floor
5	M12 expansion bolt
6	Bottom cover



Server / Networking Cabinet

Specification

S/N	Capacity (U)	Width (mm)	Depth (mm)	D1 (mm)	Height (mm)	Packing Dimension	Volume (M ³)	
HMRC18U60x60	18	600	600	361	988	670*700*1028	0.4821	
HMRC18U60x80			800	561		670*900*1028	0.6199	
HMRC18U60x90			900	661		670*1000*1028	0.6888	
HMRC18U60x100			1000	736		670*1100*1028	0.7576	
HMRC22U60x60	22	600	600	361	1166	670*700*1196	0.5609	
HMRC22U60x80			800	561		670*900*1196	0.7212	
HMRC22U60x90			900	661		670*1000*1196	0.8013	
HMRC22U60x100			1000	736		670*1100*1196	0.8815	
HMRC27U60x60	27	600	600	361	1388	670*700*1418	0.6650	
HMRC27U60x80			800	561		670*900*1418	0.8551	
HMRC27U60x90			900	661		670*1000*1418	0.9501	
HMRC27U60x100			1000	736		670*1100*1418	1.0451	
HMRC32U60x60	32	600	600	361	1610	670*700*1640	0.7692	
HMRC32U60x80			800	561		670*900*1640	0.9889	
HMRC32U60x90			900	661		670*1000*1640	1.0988	
HMRC32U60x100			1000	736		670*1100*1640	1.2087	
HMRC37U60x60	37	600	600	361	1833	670*700*1863	0.8737	
HMRC37U60x80			800	561		670*900*1863	1.1234	
HMRC37U60x90			900	661		670*1000*1863	1.2482	
HMRC37U60x100			1000	736		670*1100*1863	1.3730	
HMRC37U60x120			1200	736		670*1300*1863	1.6227	
HMRC42U60x60	42	600	600	361	2055	670*700*2085	0.9779	
HMRC42U60x80			800	561		670*900*2085	1.2573	
HMRC42U60x90			900	661		670*1100*2085	1.3970	
HMRC42U60x100			1000	736		670*1300*2085	1.5366	
HMRC42U60x110			1100	736		670*1100*2085	1.6763	
HMRC42U60x120		1200	736	670*1300*2085		1.8160		
HMRC42U80x60		800	600	600		308	870*700*2085	1.2698
HMRC42U80x80				800		508	870*900*2085	1.6326
HMRC42U80x90				900		608	870*1100*2085	1.8140
HMRC42U80x100				1000		708	870*1300*2085	1.9953
HMRC42U80x110	1100			733	870*1100*2085	2.1767		
HMRC42U80x120	1200	733	870*1300*2085	2.3581				
HMRC47U60x60	47	600	600	361	2277	670*700*2307	1.0820	
HMRC47U60x80			800	561		670*900*2307	1.3911	
HMRC47U60x90			900	661		670*1100*2307	1.5457	
HMRC47U60x100			1000	736		670*1300*2307	1.7003	
HMRC47U60x110			1100	736		670*1100*2307	1.8548	
HMRC47U60x120			1200	736		670*1300*2307	2.0094	
HMRC47U80x60		800	600	600		308	870*700*2307	1.4050
HMRC47U80x80				800		508	870*900*2307	1.8064
HMRC47U80x90				900		608	870*1100*2307	2.0071
HMRC47U80x100				1000		708	870*1300*2307	2.2078
HMRC47U80x110				1100		733	870*1100*2307	2.4085
HMRC47U80x120				1200		733	870*1300*2307	2.6092

● Letter (v) will be added on steel front doors part numbers

Server / Networking Cabinet



Standard

- Comply with ANSI/EIA, RS-310-D, IEC297-2, DIN41494;PART1, DIN41494;PART7, GB/T3047.2-92, ETSI standard.

Front&Rear door feature:

- Steel front door without vented hole;
- Steel rear door without vented hole;
- Front & rear door are free solder reinforcement structure, Elegant and sturdy;
- Front & rear door with elegant lock;
- The lock can be equipped according to the customer's needs;
- Front&Rear doors can be designed to open in left or right;
- Front&rear doors can be changed to double-doors

Material

- Mounting profile&Mounting angle: Fingerprint resistant aluminum zinc plate; The rest: SPCC cold rolled steel; Thickness: mounting profile 2.0mm, mounting angle 1.5mm, others 1.2mm

Surface finish:

- Degreasing, Vitrification, power coated;

Degree of protection:

- IP20

Loading capacity:

- Static loading: 800KG (with adjustable feet)