



**Enterprise Racks**

**05**

[WWW.FUMOTELECOM.DE](http://WWW.FUMOTELECOM.DE)

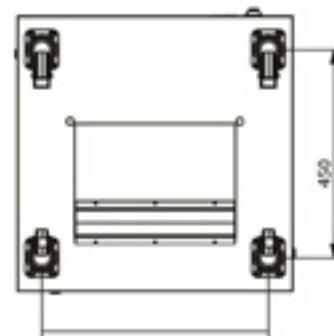
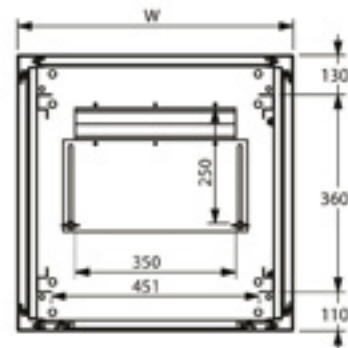
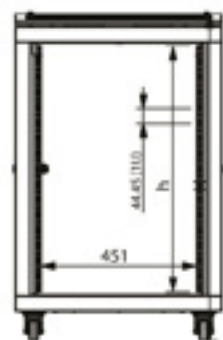
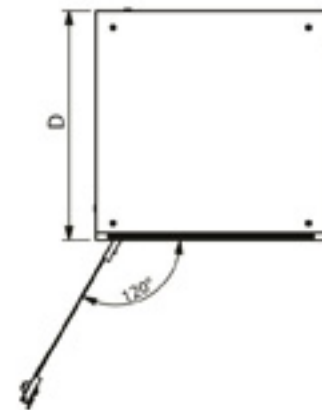
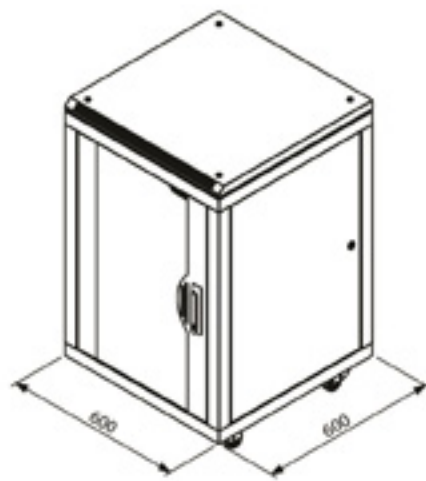
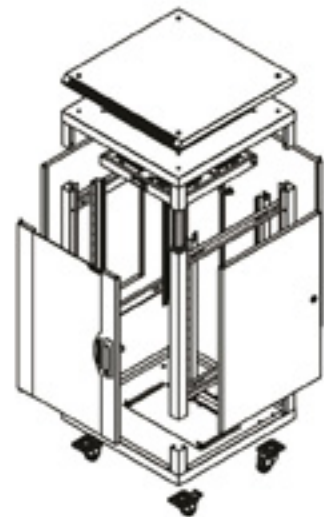


# FUMOLINE 600x600



**19" 600x600mm FumoLine Cabinet**  
Width: 600mm Depth: 600mm

Order No	U (1U=44,45 mm)	h Inside Height (mm)	H Outside Height (mm)	Weight (Kg)
FT-16U6060	16	714	942	46
FT-20U6060	20	892	1120	52
FT-26U6060	26	1158	1386	65
FT-32U6060	32	1425	1653	75
FT-36U6060	36	1603	1831	81
FT-39U6060	39	1736	1964	86
FT-42U6060	42	1870	2098	91
FT-44U6060	44	1955	2182	94

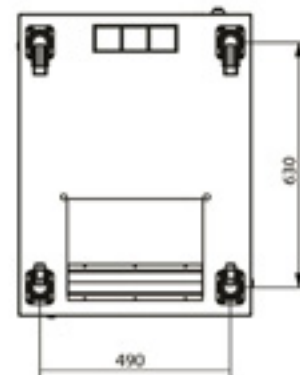
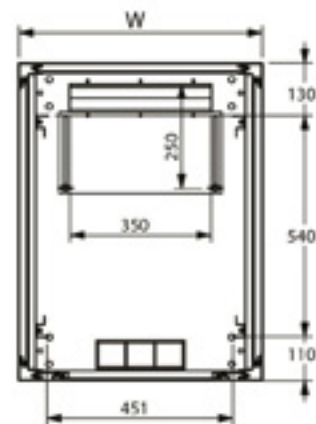
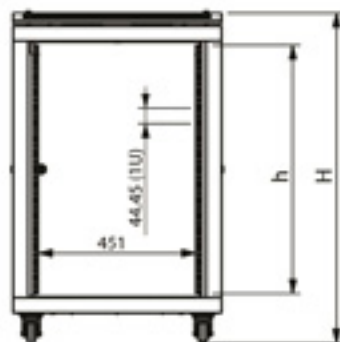
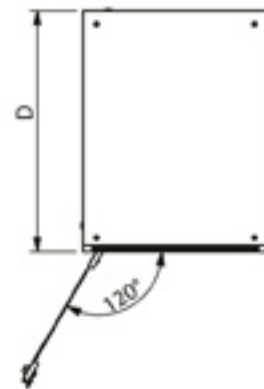
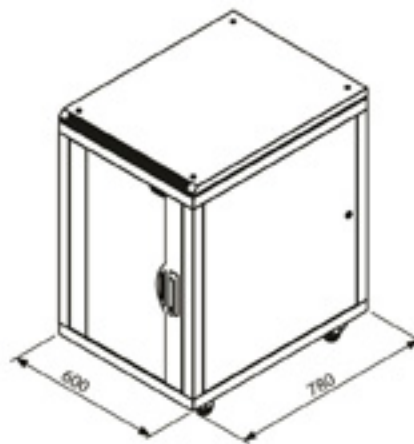
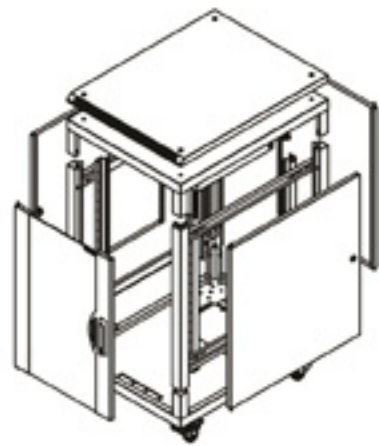


# FUMOLINE 600x800



**19" 600x800mm FumoLine Cabinet**  
Width: 600mm Depth: 780mm

Order No	U (1U=44,45 mm)	h Inside Height (mm)	H Outside Height (mm)	Weight (Kg)
FT-16U6080	16	714	942	54
FT-20U6080	20	892	1120	62
FT-26U6080	26	1158	1386	72
FT-32U6080	32	1425	1653	83
FT-36U6080	36	1603	1831	89
FT-39U6080	39	1736	1964	94
FT-42U6080	42	1870	2098	100
FT-44U6080	44	1955	2182	104

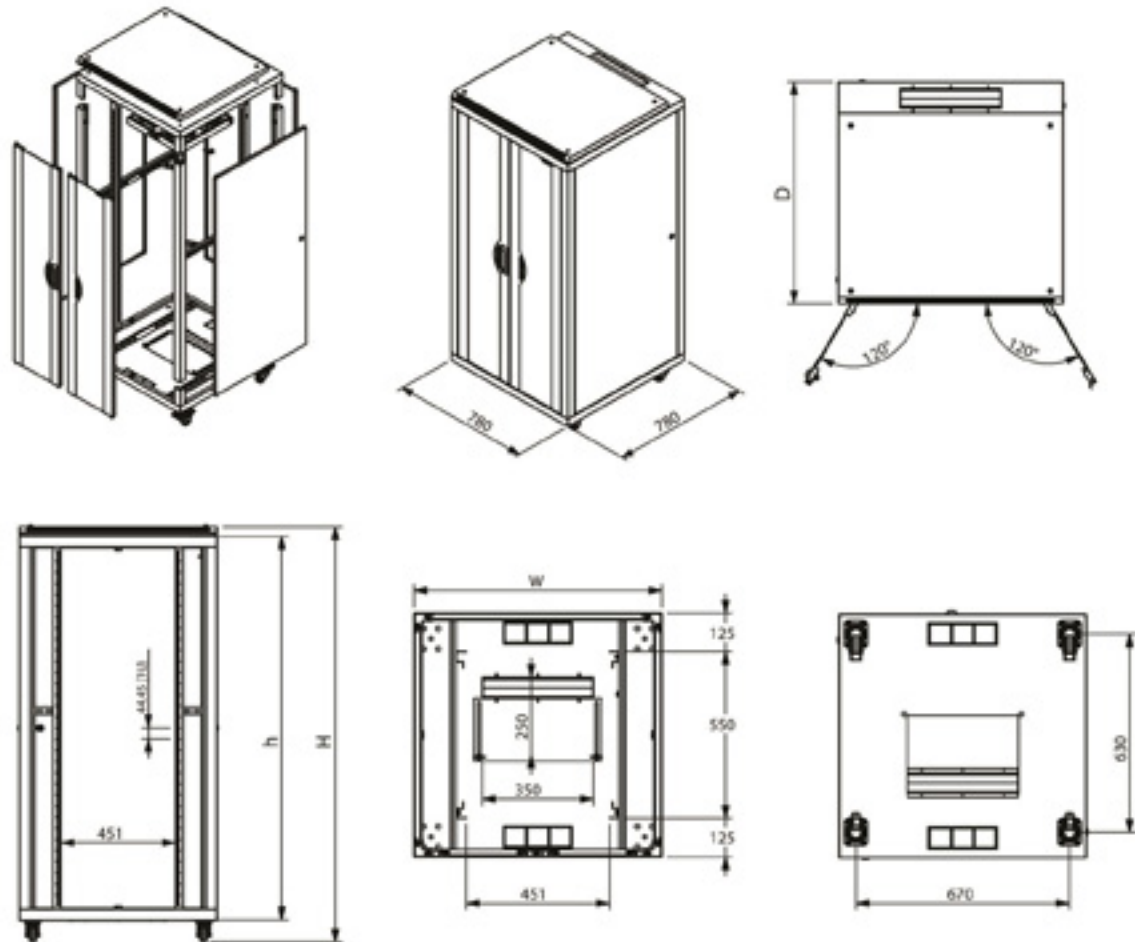


# FUMOLINE 800x800



**19" 600x1000mm FumoLine Cabinet**  
Width: 600mm Depth: 1000mm

Order No	U (1U=44,45 mm)	h Inside Height (mm)	H Outside Height (mm)	Weight (Kg)
FT-16U60100	16	714	942	65
FT-20U60100	20	892	1120	72
FT-26U60100	26	1158	1386	82
FT-32U60100	32	1425	1653	95
FT-36U60100	36	1603	1831	103
FT-39U60100	39	1736	1964	108
FT-42U60100	42	1870	2098	114
FT-44U60100	44	1955	2182	118

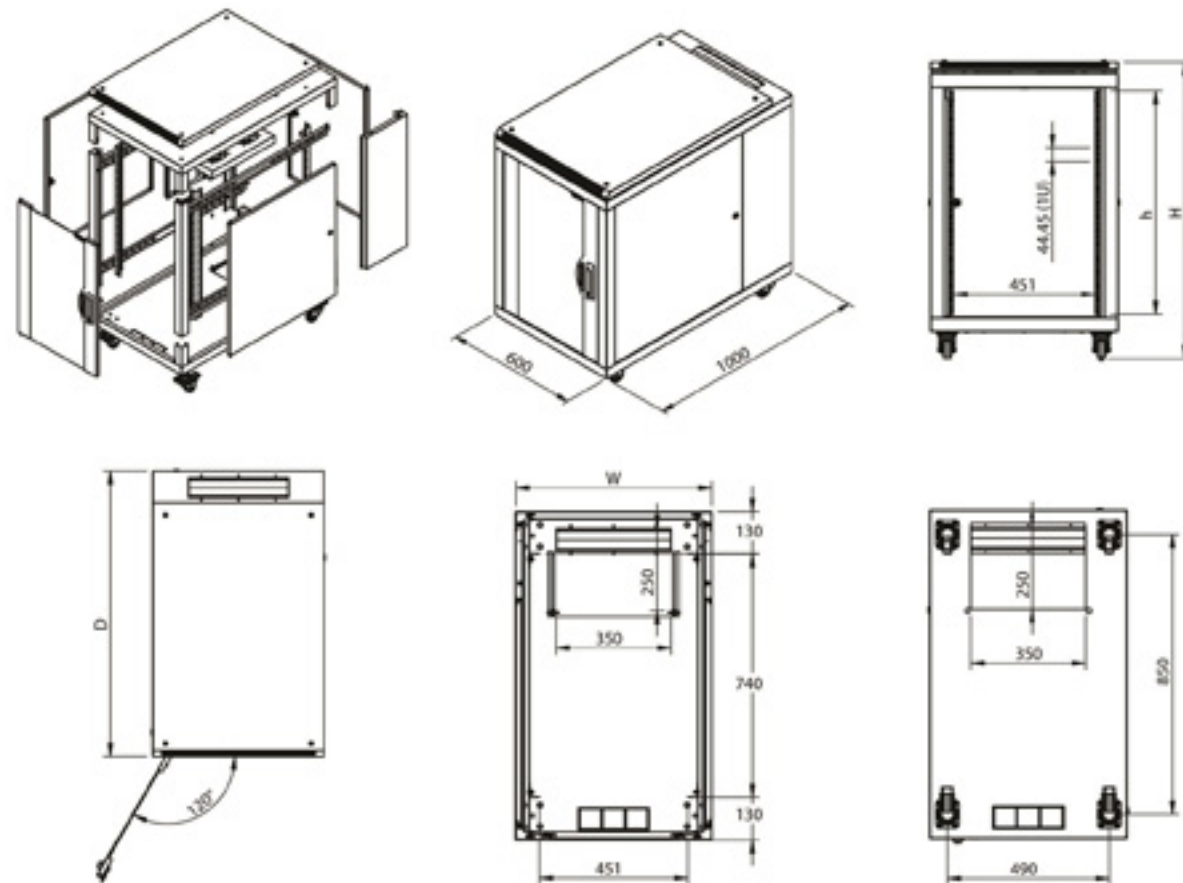


# FUMOLINE 600x1000



**19" 800x1000mm FumoLine Cabinet**  
Width: 780mm Depth: 1000mm

Order No	U (1U=44,45 mm)	h Inside Height (mm)	H Outside Height (mm)	Weight (Kg)
FT-32U80100	32	1425	1653	116
FT-36U80100	36	1603	1831	125
FT-39U80100	39	1736	1964	130
FT-42U80100	42	1870	2098	136
FT-44U80100	44	1955	2182	142

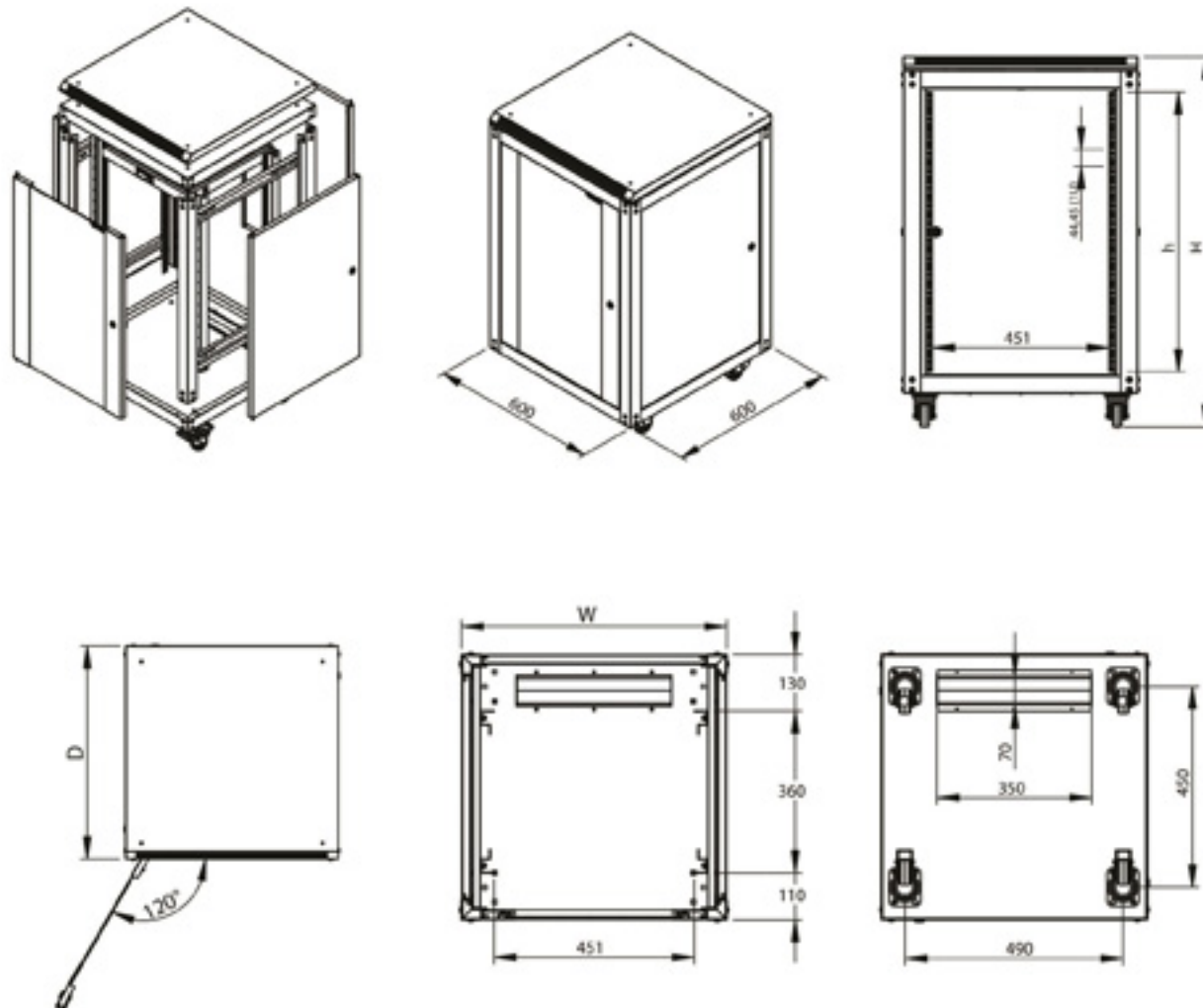


# NETLINE 600x600



**19" 600x600mm Betaline Cabinet**  
Width: 600mm Depth: 600mm

Order No	U (1U=44,45 mm)	h Inside Height (mm)	H Outside Height (mm)	Weight (Kg)
FT NET-12U6060	12	536	764	39
FT NET-16U6060	16	714	942	45
FT NET-20U6060	20	892	1120	51
FT NET-26U6060	26	1158	1386	60

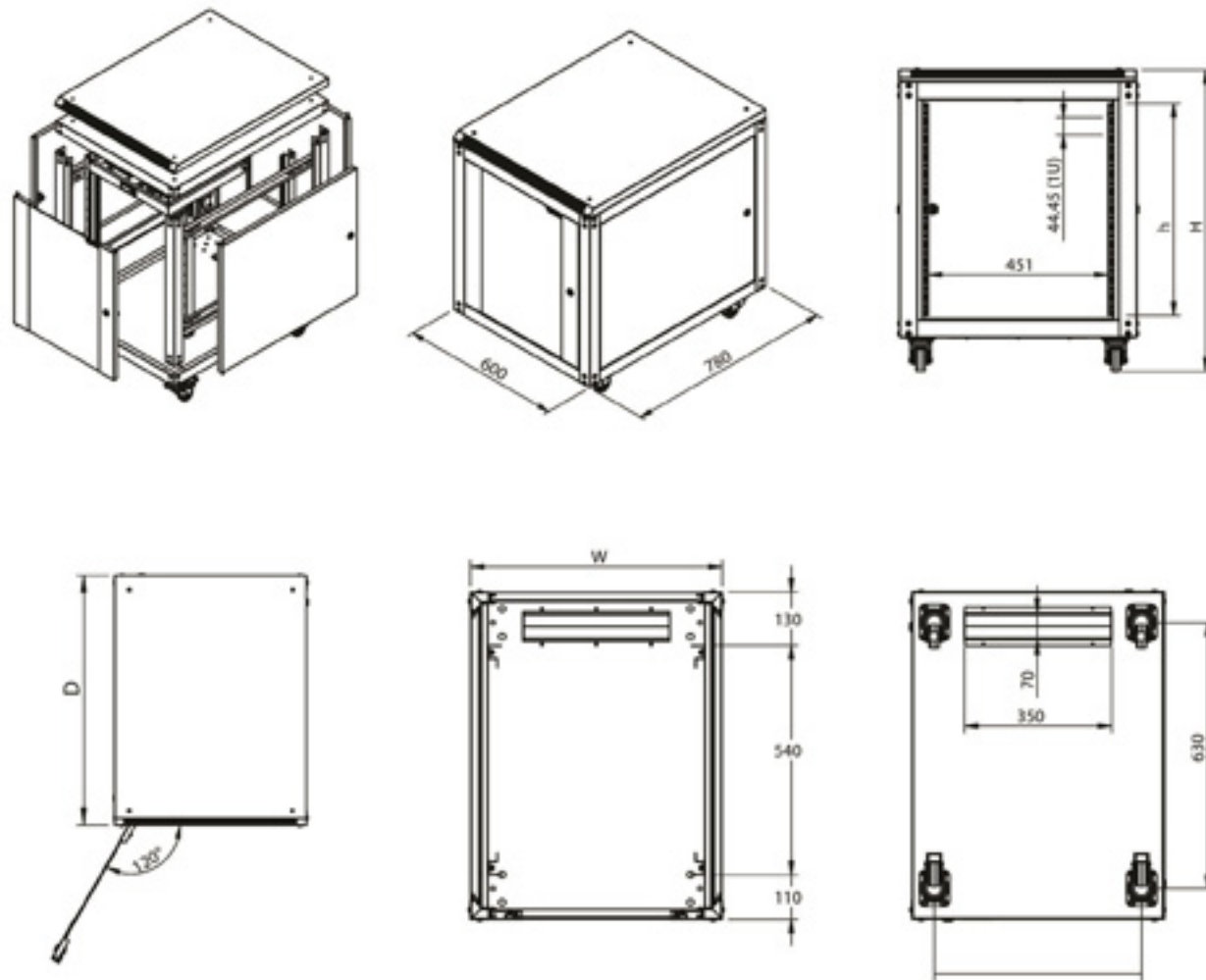


# NETLINE 600x800



**19" 600x600mm Betaline Cabinet**  
Width: 600mm Depth: 600mm

Order No	U (1U=44,45 mm)	h Inside Height (mm)	H Outside Height (mm)	Weight (Kg)
FT NET-12U6060	12	536	764	39
FT NET-16U6060	16	714	942	45
FT NET-20U6060	20	892	1120	51
FT NET-26U6060	26	1158	1386	60

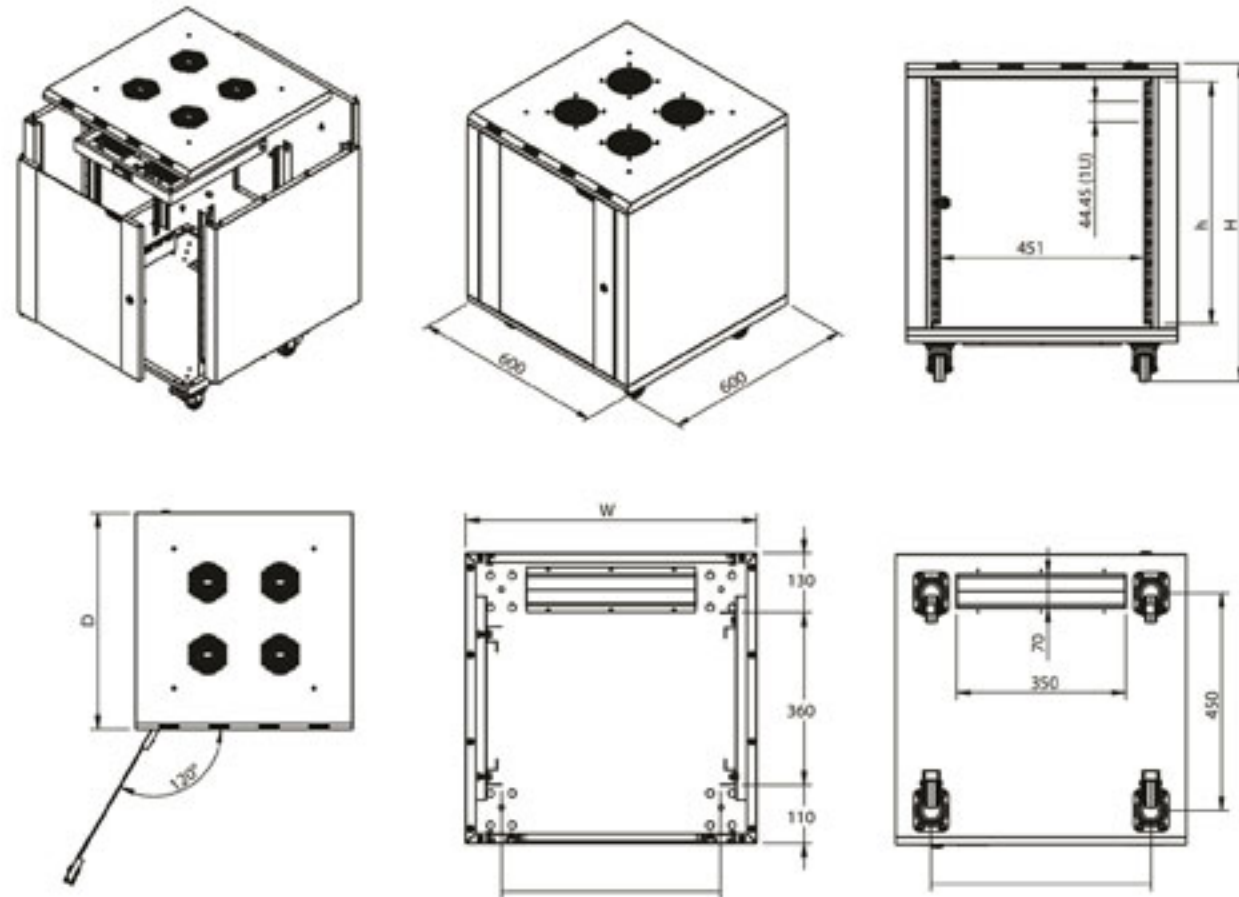


# RACKLINE 600x600



**19" 600x600mm Betaline Cabinet**  
Width: 600mm Depth: 600mm

Order No	U (1U=44,45 mm)	h Inside Height (mm)	H Outside Height (mm)	Weight (Kg)
FT RK-12U6060	12	536	764	39
FT RK-16U6060	16	714	942	45
FT RK-20U6060	20	892	1120	51
FT RK-26U6060	26	1158	1386	60



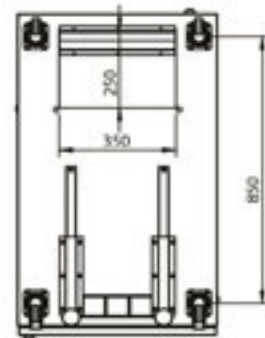
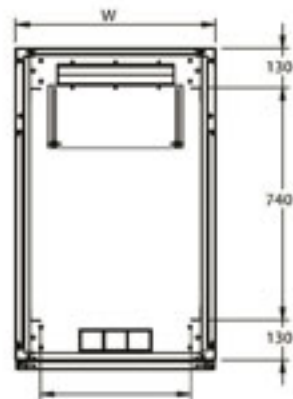
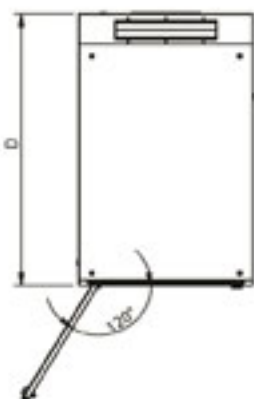
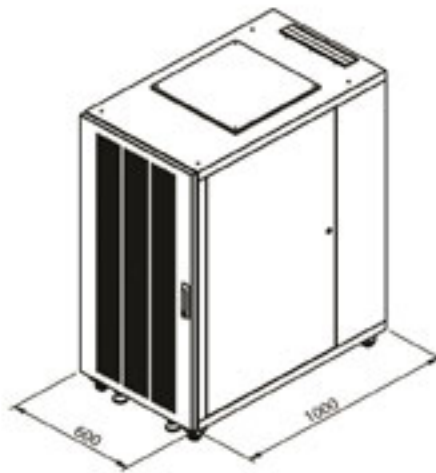
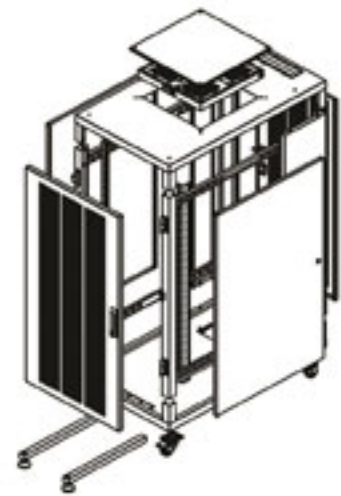
# SERVER 600x1000



**19" 600x1000mm Server Cabinet**

**Width: 600mm Depth: 1000mm**

Order No	U (1U=44,45 mm)	h Inside Height (mm)	H Outside Height (mm)	Weight (Kg)
FT SC-26U60100	26	1158	1386	79
FT SC-32U60100	32	1425	1653	91
FT SC-42U60100	42	1870	2098	106



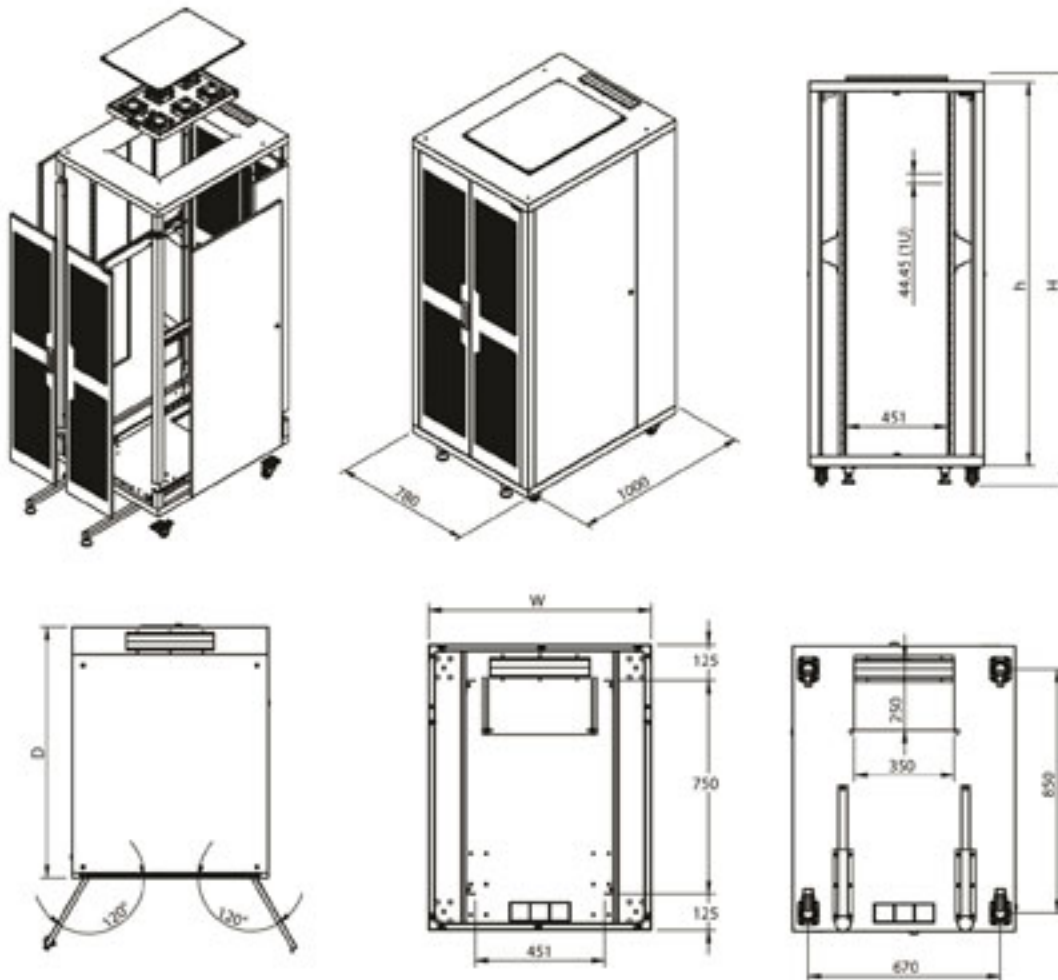
# SERVER 800x1000



**19" 800x1000mm Server Cabinet**

**Width: 780mm Depth: 1000mm**

Order No	U (1U=44,45 mm)	h Inside Height (mm)	H Outside Height (mm)	Weight (Kg)
FT SC-36U80100	36	1603	1831	105
FT SC-42U80100	42	1870	2098	120

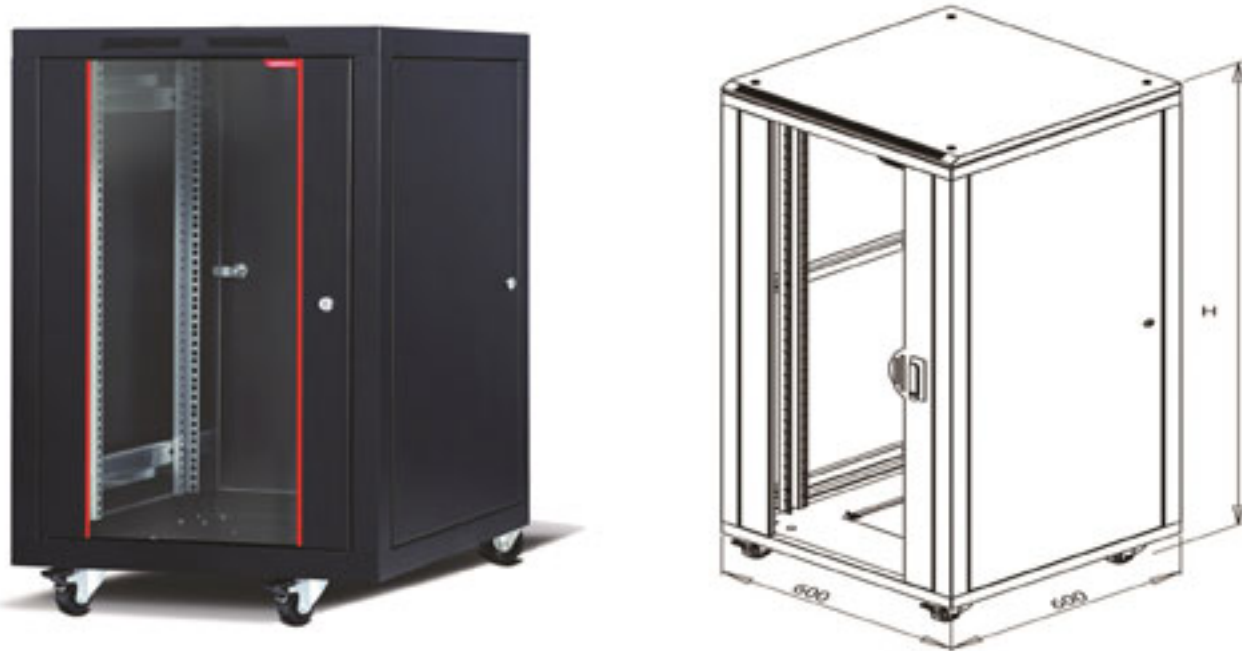


## COSMOLINE CABINETS

- Cosmoline cabinets have four side openable, lockable and easily removable covers.
- The rear and side covers are made by DKP sheet and the front side is made by 4 mm thick, impact resistant, tempered and smoked-colored glass which is supported by metal frames.
- The main frame is 1,5 mm, side and rear covers are 1,2 mm steel sheet.
- The frame and corner profiles have nested structure and this structure provides high strength.
- Ventilation is provided by cooling units with 2,4 or 6 fans.
- There are 600x600 , 600x800 , 800x800 , 600x1000 and 800x1000 dimension and 16U , 20U , 26U , 32U , 36U , 39U , 42U and 44U height options.
- There are four 19" mounting profiles and these profiles can move deep within the cabinet.
- Server cabinets are twin perforated front and rear doors for extra ventilation plus space minimizing.
- Mounting profiles have U markings that facilitate the mounting process.
- At the bottom part of the cabinets there is a sliding and dust-protected brushed cable entry. In 600x1000 , 800x800 and 800x1000 cabinets, these entries are available in two locations, from bottom to top.
- It has the option of using wheeled and fixed legs.  
Painted by impact-resistant, high strength, electrostatic Ral 9005 texture black color.
- All test procedures have been carried out and has ROSH, CE, EN 61587-1 standards.



# COSMOLINE 600x600



**19" 600x600mm Cosmoline Cabinet**  
**Width: 600mm Depth: 600mm**

Order No	U (1U=44,45 mm)	h Inside Height (mm)	H Outside Height (mm)	Weight (Kg)
FT CSM-16U6060	16	714	942	46
FT CSM-20U6060	20	892	1120	52
FT CSM-26U6060	26	1158	1386	65
FT CSM-32U6060	32	1425	1653	75
FT CSM-36U6060	36	1603	1831	81
FT CSM-39U6060	39	1736	1964	86
FT CSM-42U6060	42	1870	2098	91
FT CSM-44U6060	44	1955	2182	94



**COSMOLINE 600 x 800**



**19" 600x800mm Cosmoline Cabinet**  
**Width: 600mm Depth: 780mm**

Order No	U (1U=44,45 mm)	h Inside Height (mm)	H Outside Height (mm)	Weight (Kg)
FT CSM-16U6080	16	714	942	54
FT CSM-20U6080	20	892	1120	62
FT CSM-26U6080	26	1158	1386	72
FT CSM-32U6080	32	1425	1653	83
FT CSM-36U6080	36	1603	1831	89
FT CSM-39U6080	39	1736	1964	94
FT CSM-42U6080	42	1870	2098	100
FT CSM-44U6080	44	1955	2182	104



**COSMOLINE 800 x 800**



**19" 800x800mm Cosmoline Cabinet**  
**Width: 780mm Depth: 780mm**

Order No	U (1U=44,45 mm)	h Inside Height (mm)	H Outside Height (mm)	Weight (Kg)
FT CSM-32U8080	32	1425	1653	102
FT CSM-36U8080	36	1603	1831	111
FT CSM-39U8080	39	1736	1964	117
FT CSM-42U8080	42	1870	2098	123
FT CSM-44U8080	44	1955	2182	127



**COSMOLINE 600 x 1000**



19" 600x1000mm Cosmoline Cabinet  
With: 600mm Depth: 1000mm

Order No	U (1U=44,45 mm)	h Inside Height (mm)	H Outside Height (mm)	Weight (Kg)
FT CSM-16U60100	16	714	942	65
FT CSM-20U60100	20	892	1120	72
FT CSM-26U60100	26	1158	1386	82
FT CSM-32U60100	32	1425	1653	95
FT CSM-36U60100	36	1603	1831	103
FT CSM-39U60100	39	1736	1964	108
FT CSM-42U60100	42	1870	2098	114
FT CSM-44U60100	44	1955	2182	118



**COSMOLINE** 800 x 1000



19" 800x1000mm Cosmoline Cabinet  
With: 780mm Depth: 1000mm

Order No	U (1U=44,45 mm)	h Inside Height (mm)	H Outside Height (mm)	Weight (Kg)
FT CSM-32U80100	32	1425	1653	116
FT CSM-36U80100	36	1603	1831	125
FT CSM-39U80100	39	1736	1964	130
FT CSM-42U80100	42	1870	2098	136
FT CSM-44U80100	44	1955	2182	142

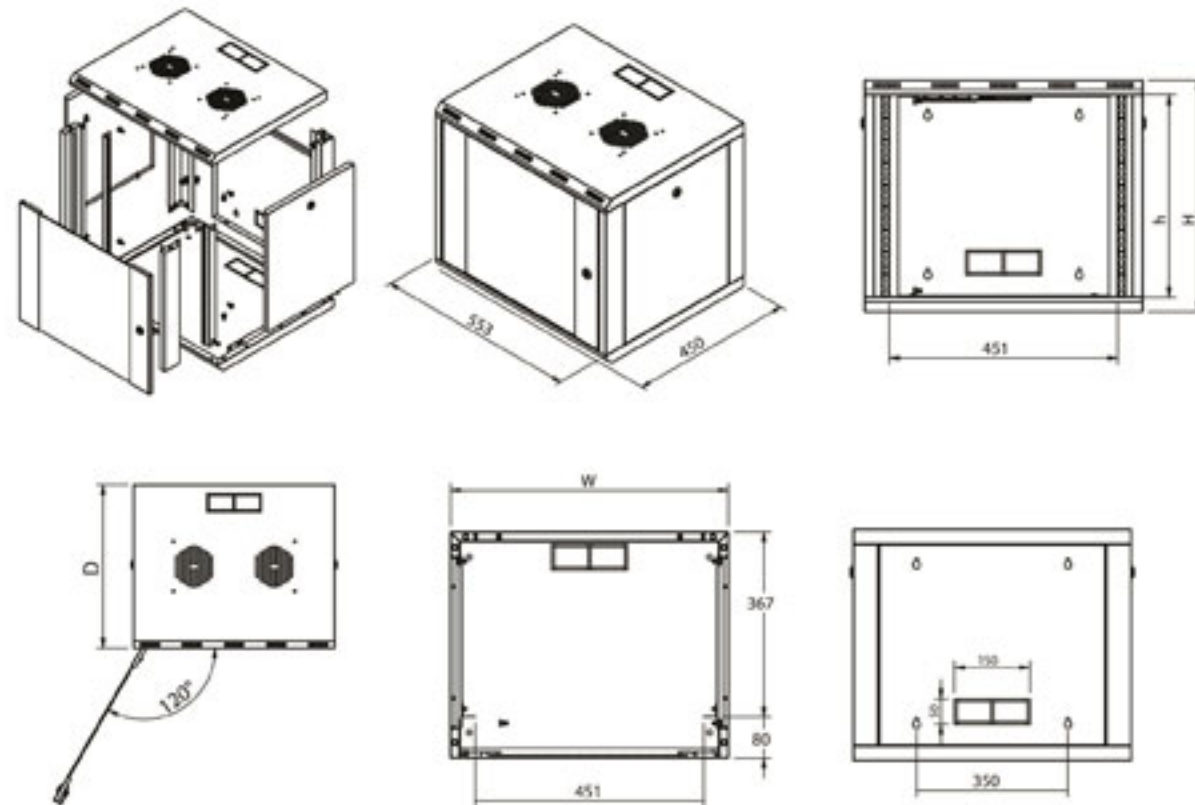


# DUVAR TIPI FUMOLINE 600x450

**19" 600x450mm Rack Cabinet**  
Width: 555mm Depth: 450mm



Order No	U (1U=44,45 mm)	h Inside Height (mm)	H Outside Height (mm)	Weight (Kg)
FT-7U450	7	314	371	14
FT-9U450	9	403	460	16
FT-12U450	12	536	593	19
FT-16U450	16	714	771	24
FT-20U450	20	892	949	29

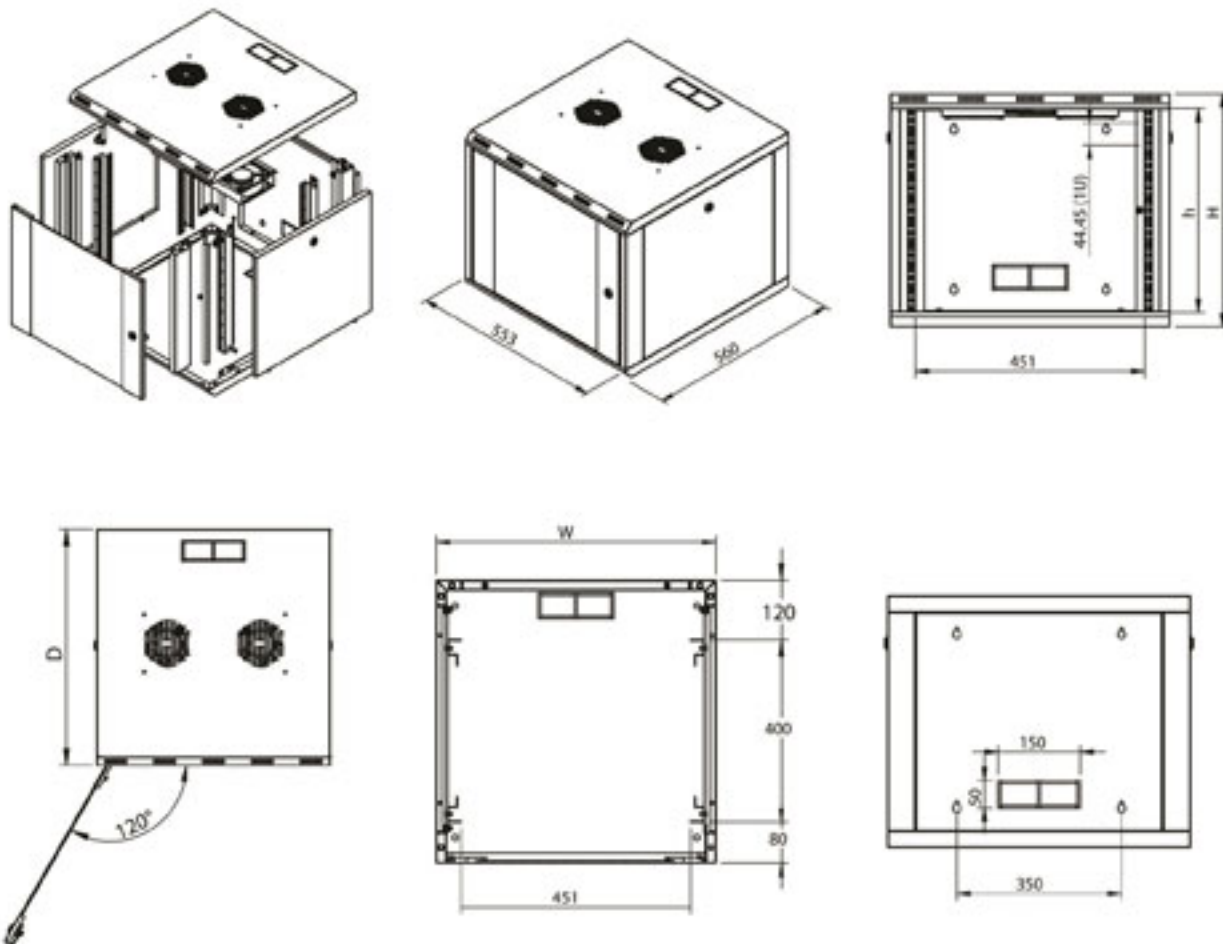


**DUVAR TIPI  
FUMOLINE 600x560**



**19" 600x560mm Rack Cabinet**  
Width: 555mm Depth: 560mm

Order No	U (1U=44,45 mm)	h Inside Height (mm)	H Outside Height (mm)	Weight (Kg)
FT-7U560	7	314	371	16
FT-9U560	9	403	460	18
FT-12U560	12	536	593	22
FT-16U560	16	714	771	28
FT-20U560	20	892	949	34



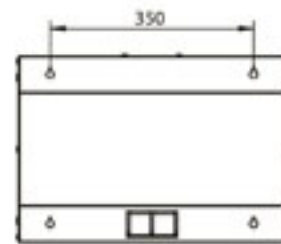
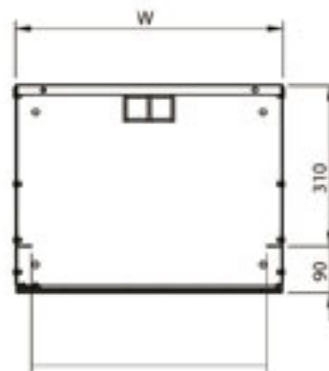
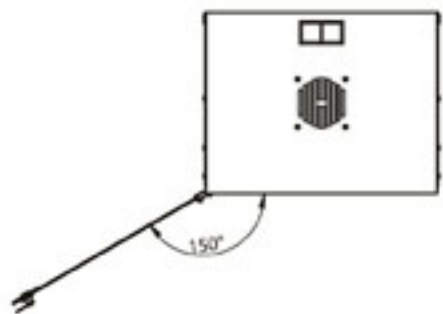
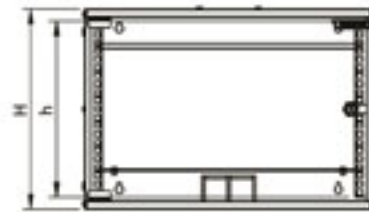
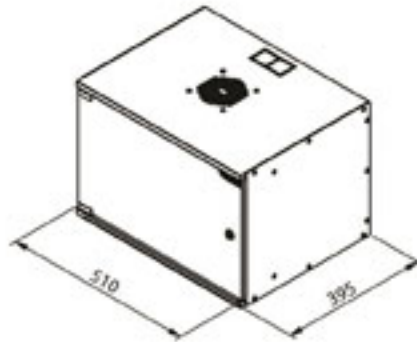
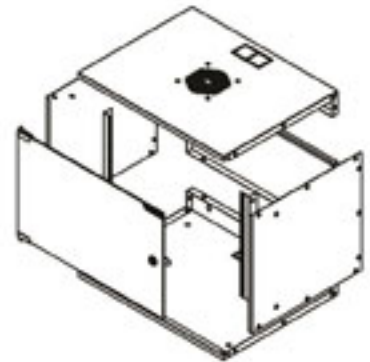
## DUVAR TİPİ SOHO 512X400



19" Wall Mounting SOHO Cabinet

Width: 515mm Depth: 400mm

Order No	U (1U=44,45 mm)	h Inside Height (mm)	H Outside Height (mm)	Weight (Kg)
FT-SH-4U	4	181	225	9
FT-SH-7U	7	314	358	12
FT-SH-9U	9	404	448	14
FT-SH-12U	12	538	582	16



### SOHO

#### Duvar Tipi Kabinetler

- Küçük sistemlerin montajında kullanılır.
- Önü füme renkli cam kapalıdır.
- Ekonomik üretim yapısı sayesinde uygun fiyat avantajlıdır.
- Standart 400 mm derinliğe ve ihtiyacınıza uygun olarak 4U, 7U, 9U ve 12U yüksekliklerine sahiptir.
- 1'li fan modülü takılarak havalandırma işlemi sağlanabilir.
- Elektrostatik polyester esaslı ince pütürlü Ral 7035 Gri renkli boya ile boyanmıştır.

### SOHO

#### Wall Mounted Cabinets

- Used for installation of small systems
- Affordable price thanks to economic production structure
- It has a 4 mm tempered glass front door with lock
- Standard depth size; 400 mm and four options of height; 4U, 7U, 9U, 12U
- Ventilation is provided by cooling unit with 1 fan.
- Impact-resistant, high strength, electrostatic Ral 7035 grey color.

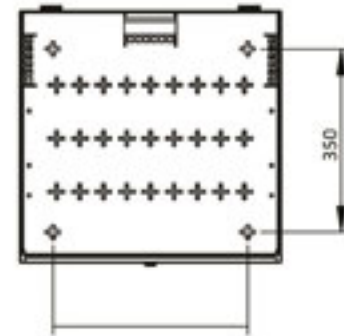
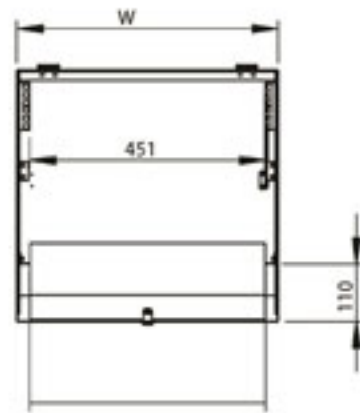
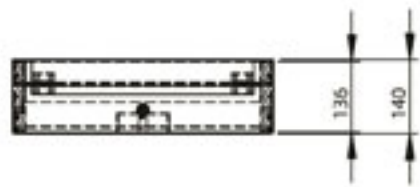
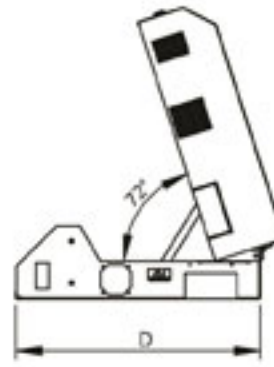
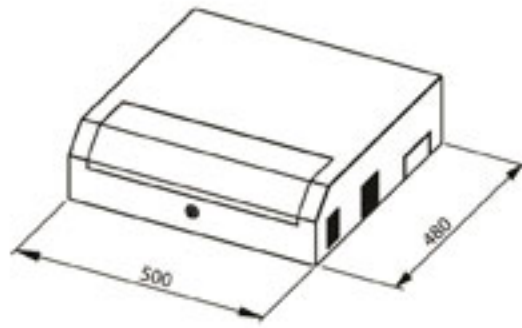
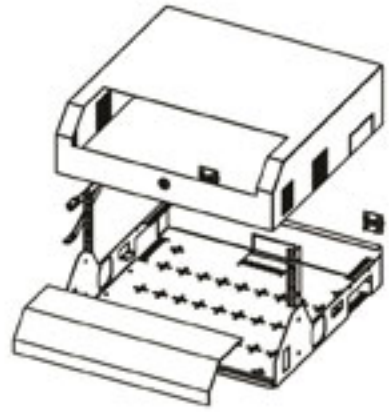


## DUVAR TİPİ SLIMRACK 500X480



**19" Wall Mounting SLIMRACK Cabinet**  
Width: 500mm Depth: 480mm

Order No	U (1U=44,45 mm)	H Outside Height (mm)	Weight (Kg)
FT-SLM-5U	3U+2U	140	9



## SLIMRACK Duvar Tipi Kabinetler

- Ofislerde ve küçük sistemlerin yer aldığı alanlarda kullanılmaktadır.
- 3U önde, 2U arkada olmak üzere 5U kullanım alanı sağlar.
- Estetik tasarımı sayesinde şık bir görünüş oluşturur.
- Dikey ve yatay uygulamalar ile duvara ve tavana monte edilir.
- Duvardan kalınlığı 140 mm'dir.
- Ral 9005 ve Ral 7035 renk seçenekleri mevcuttur.

## SLIMRACK Wall Mounted Cabinets

- Slimrack aesthetic and economic solution for switch systems
- 5U device mounting capacity (3U+2U)
- Wall and ceiling mounted
- Slimrack thickness on wall: 140 mm
- Color options : Ral 7035 and Ral 9005

